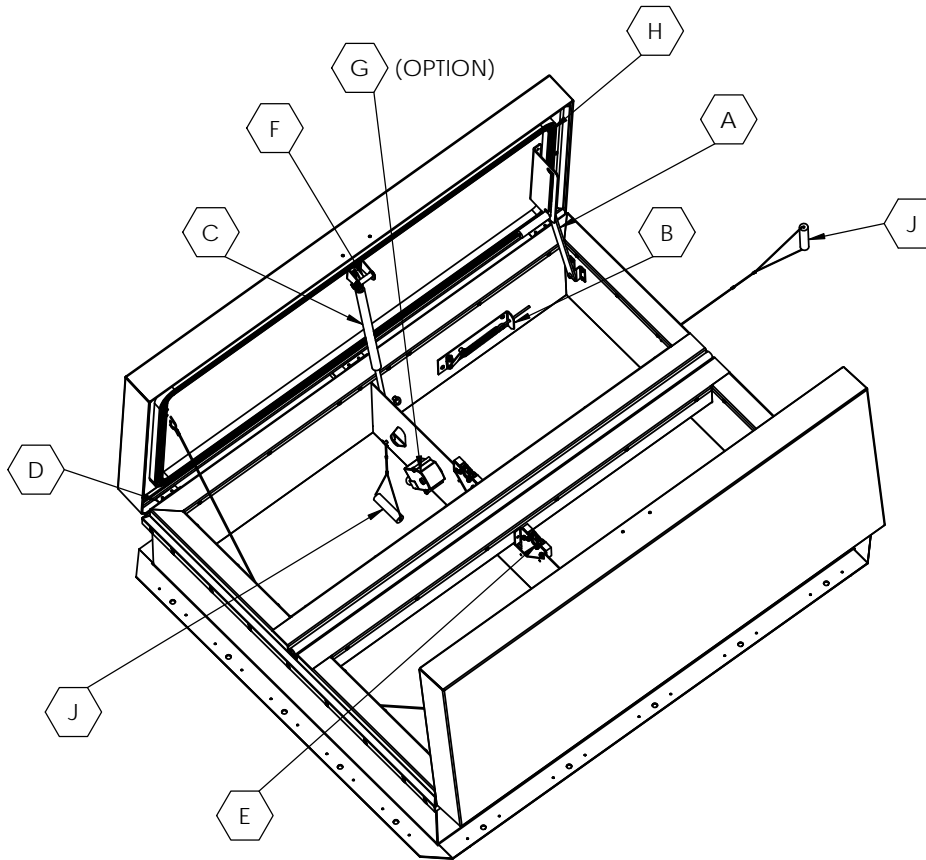


DETAIL	SHEET	DESCRIPTION
A	2	HOA
B	3	THERMAL RELEASE
C	4	GAS SPRING
D	5	HINGE
E	6	ROTARY LATCH
F	7	LATCH PIN
G	8	ELECTRICAL RELEASE
H	9	GASKET
J	10	MANUAL PULLS
	11	TOUCH UP PAINT
	12	MANUAL WINCH
	13	RIGGING



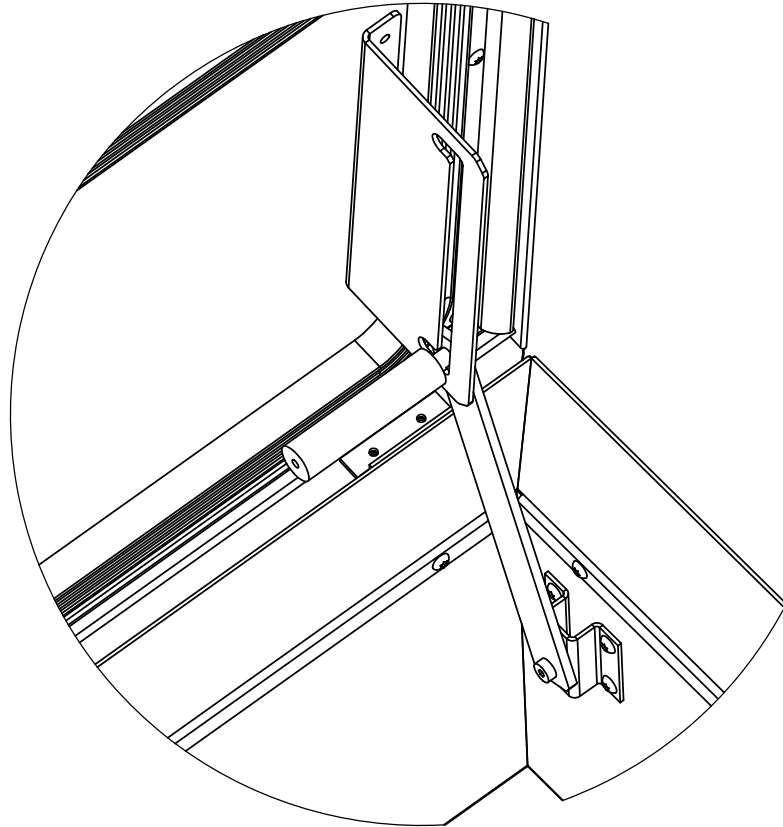
SVX-KIT-RETRO

 9300 73rd Avenue North Brooklyn Park, MN 55428			TITLE:		
			Smoke Vent, Acoustical STC48, 48x60, Dbl Dr, Galv Steel, Black Pwd, Gray Pwd Cvr Ext, Dbl Wall Curb		
	NAME	DATE	SIZE	DWG. NO.	REV
DRAWN	SGS	4/15/14	B	SVX-KIT-RETRO	-
RELEASED	ELW	4/15/14			
			WEIGHT: Weight	SHEET 1 OF 13	

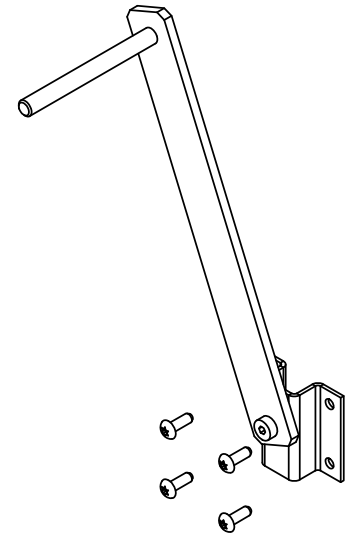
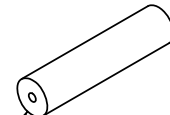
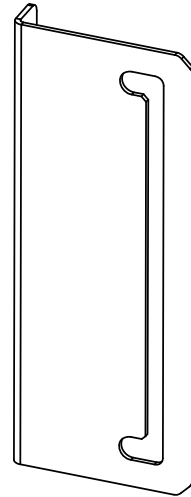
PROPRIETARY AND CONFIDENTIAL: THE INFORMATION CONTAINED IN THIS DRAWING IS THE SOLE PROPERTY OF BABCOCK-DAVIS. ANY REPRODUCTION IN PART OR AS A WHOLE WITHOUT THE WRITTEN PERMISSION OF BABCOCK-DAVIS IS PROHIBITED.

8 | 7 | 6 | 5 | 4 | 3 | 2 | 1

8	7	6	5	4	3	2	1
REPLACEMENT PART NUMBER	DESCRIPTION						
SVX-KIT-HOA	PKG, HOA, ACOUSTICAL, RED HANDLE, ALUM						



FACTORY INSTALLED VIEW



BEFORE ATTACHING TO FRAME
PUT HANDLE THROUGH HOA
SLOT ON THE COVER BRACKET

REPLACEMENT PART VIEW

REPLACEMENT HOA

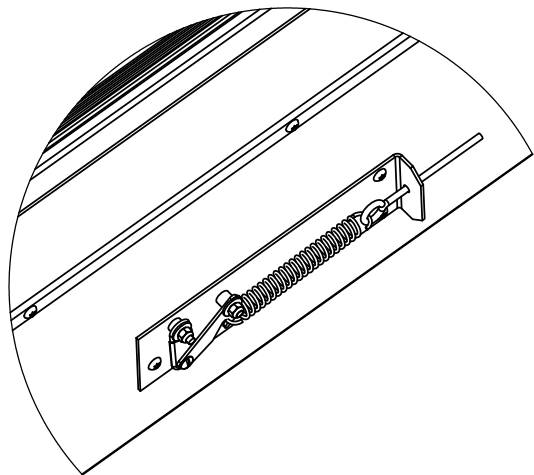
Babcock-Davis
Always right there.
9300 73rd Avenue North
Brooklyn Park, MN 55428

TITLE:
Smoke Vent, Acoustical STC48,
48x60, Dbl Dr,
Galv Steel, Black Pwd, Gray Pwd Cvr Ext, Dbl
Wall Curb

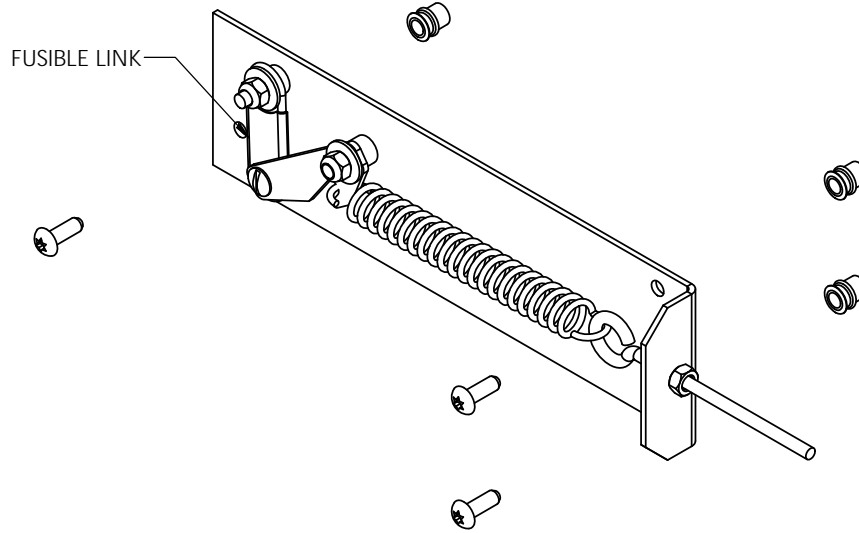
	NAME	DATE	SIZE	DWG. NO.	REV
DRAWN	SGS	4/15/14	B	SVX-KIT-RETRO	-
RELEASED	ELW	4/15/14			

WEIGHT: Weight SHEET 2 OF 13

REPLACEMENT PART NUMBER	DESCRIPTION
SV-KIT-THERMAL-ALUM	PKG, ASSY, AUTO LATCH MECH, 165 ALUM
SV-KIT-THERMAL-STEEL	PKG, ASSY, AUTO LATCH MECH, 165 STEEL
SV-KIT-LINK-165	LINK, FUSIBLE, 165F RATING
SV-KIT-LINK-212	LINK, FUSIBLE, 212F RATING
SV-KIT-LINK-280	LINK, FUSIBLE, 280F RATING
SV-KIT-LINK-350	LINK, FUSIBLE, 350F RATING
SV-KIT-LINK-360	LINK, FUSIBLE, 360F RATING
SV-KIT-LINK-370	LINK, FUSIBLE, 370F RATING
SV-KIT-LINK-386	LINK, FUSIBLE, 386F RATING
SV-KIT-LINK-450	LINK, FUSIBLE, 450F RATING



FACTORY INSTALLED VIEW



REPLACEMENT PART VIEW
(SV-KIT-THERMAL-ALUM)

REPLACEMENT THERMAL RELEASE

Babcock-Davis
Always right there.
 9300 73rd Avenue North
 Brooklyn Park, MN 55428

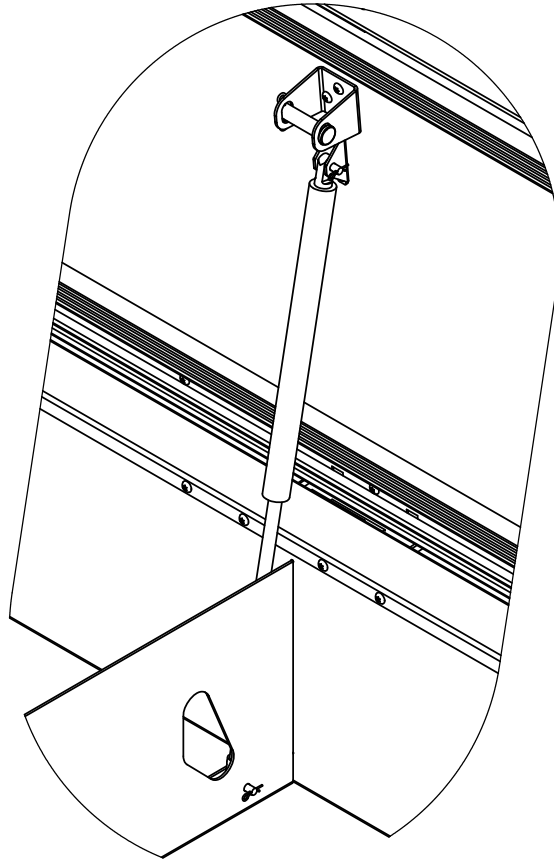
TITLE: Smoke Vent, Acoustical STC48,
 48x60, Dbl Dr,
 Galv Steel, Black Pwd, Gray Pwd Cvr Ext, Dbl
 Wall Curb

NAME	DATE	SIZE	DWG. NO.	REV
DRAWN	SGS	4/15/14	B SVX-KIT-RETRO	-
RELEASED	ELW	4/15/14		

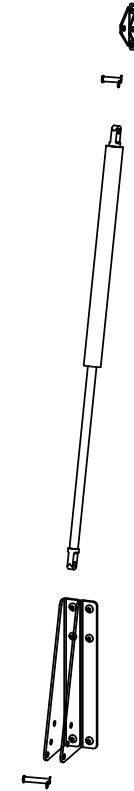
WEIGHT: Weight SHEET 3 OF 13

8	7	6	5	4	3	2	1
REPLACEMENT PART NUMBER	DESCRIPTION						
SV-KIT-SPRING-894	SPRING/DAMPER, GAS, COVER/CURB BRKTS, P1=894N						
SV-KIT-SPRING-1460	SPRING/DAMPER, GAS, COVER/CURB BRKTS, P1=1460N						

D *CONSULT MANUFACTURER FOR THE TYPE AND QUANTITY OF SPRINGS BASED ON THE SIZE AND SERIES OF SMOKE VENT



FACTORY INSTALLED VIEW

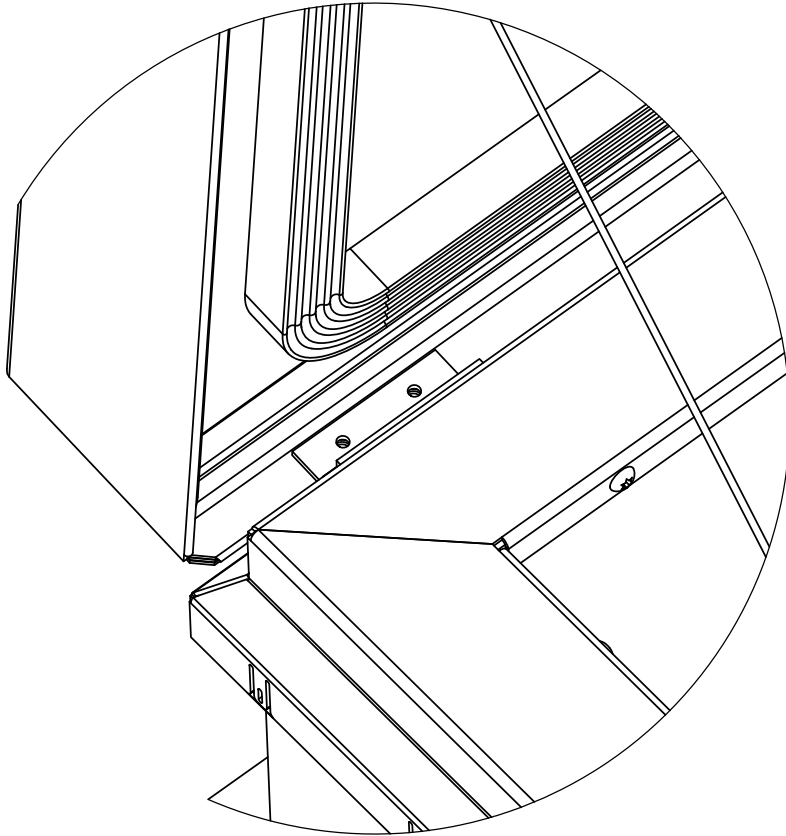


REPLACEMENT PART VIEW

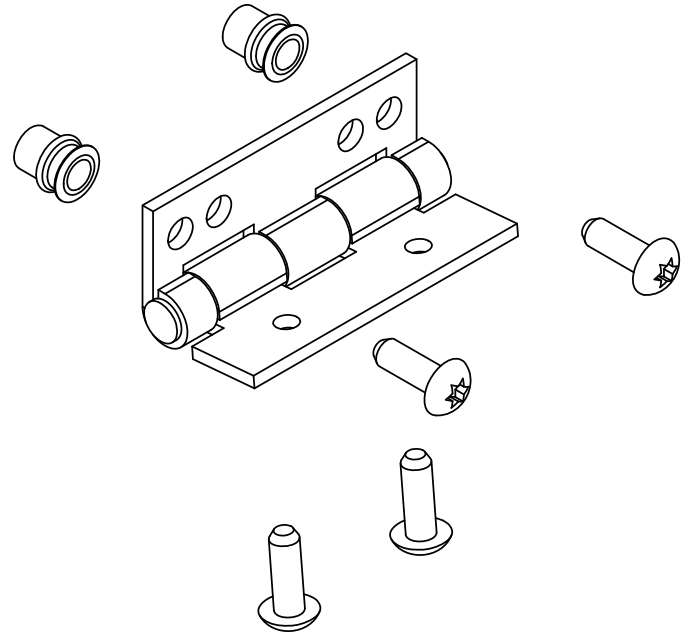
REPLACEMENT SPRING

 9300 73rd Avenue North Brooklyn Park, MN 55428			TITLE:		
			Smoke Vent, Acoustical STC48, 48x60, Dbl Dr, Galv Steel, Black Pwd, Gray Pwd Cvr Ext, Dbl Wall Curb		
	NAME	DATE	SIZE	DWG. NO.	REV
DRAWN	SGS	4/15/14	B	SVX-KIT-RETRO	-
RELEASED	ELW	4/15/14			
			WEIGHT: Weight	SHEET 4 OF 13	

8	7	6	5	4	3	2	1
REPLACEMENT PART NUMBER	DESCRIPTION						
SVX-KIT-HINGE	PKG, HINGE ASSY, STC SMOKE VENT						



FACTORY INSTALLED VIEW

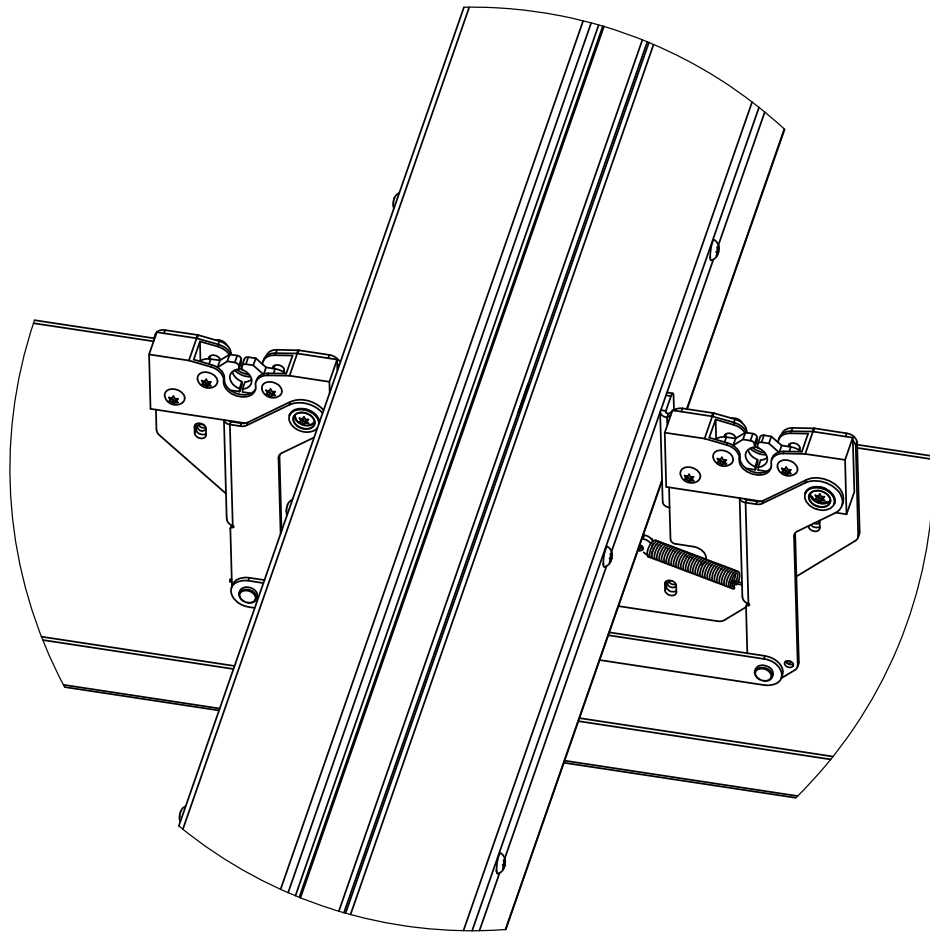


REPLACEMENT PART VIEW

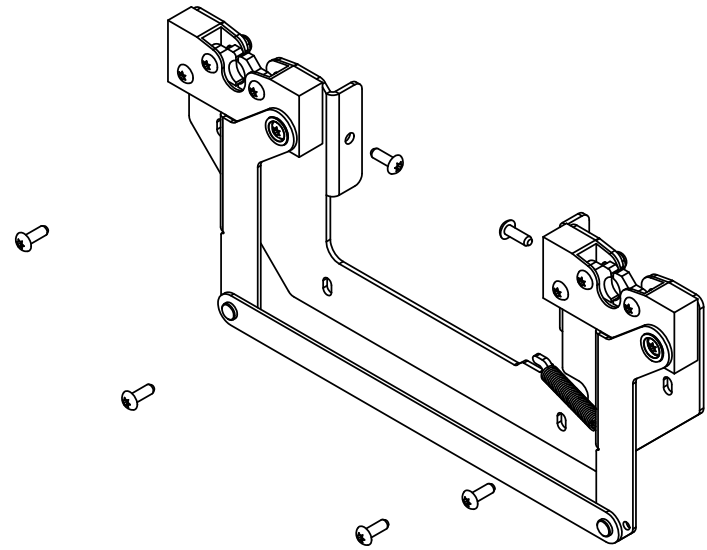
REPLACEMENT HINGE

 9300 73rd Avenue North Brooklyn Park, MN 55428			TITLE:			Smoke Vent, Acoustical STC48, 48x60, Dbl Dr, Galv Steel, Black Pwd, Gray Pwd Cvr Ext, Dbl Wall Curb
			SIZE	DWG. NO.		
DRAWN	SGS	4/15/14	B	SVX-KIT-RETRO		-
RELEASED	ELW	4/15/14		WEIGHT: Weight	SHEET 5 OF 13	

8	7	6	5	4	3	2	1
REPLACEMENT PART VIEW	DESCRIPTION						
SVX-KIT-ROTARYLATCH	PKG, LATCH, ROTARY, DBL, STC						




FACTORY INSTALLED VIEW



REPLACEMENT PART VIEW

REPLACEMENT LATCH

			TITLE: Smoke Vent, Acoustical STC48, 48x60, Dbl Dr, Galv Steel, Black Pwd, Gray Pwd Cvr Ext, Dbl Wall Curb		
9300 73rd Avenue North Brooklyn Park, MN 55428			SIZE	DWG. NO.	REV
DRAWN	SGS	4/15/14	B	SVX-KIT-RETRO	-
RELEASED	ELW	4/15/14			
PROPRIETARY AND CONFIDENTIAL: THE INFORMATION CONTAINED IN THIS DRAWING IS THE SOLE PROPERTY OF BABCOCK-DAVIS. ANY REPRODUCTION IN PART OR AS A WHOLE WITHOUT THE WRITTEN PERMISSION OF BABCOCK-DAVIS IS PROHIBITED.			WEIGHT: Weight		

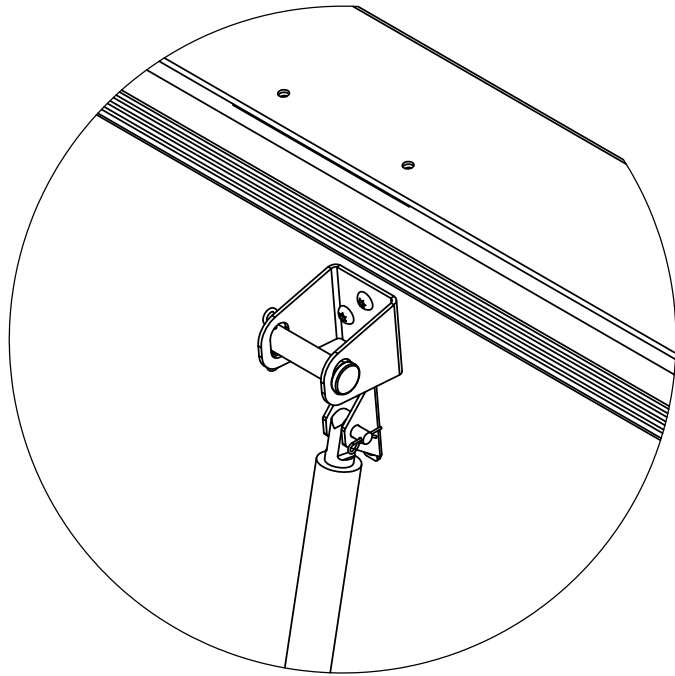
8	7	6	5	4	3	2	1
REPLACEMENT PART NUMBER	DESCRIPTION						
SV-KIT-LATCHPIN	PKG, ASSY, LATCH PIN						

D

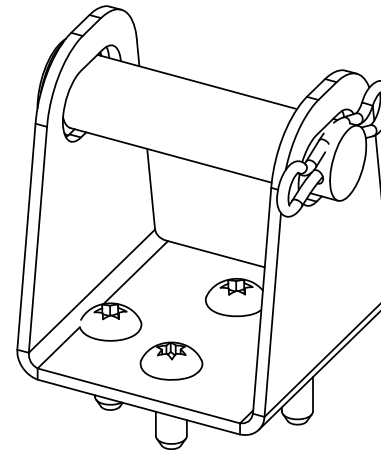
C

B

A



FACTORY INSTALLED VIEW



REPLACEMENT PART VIEW


D

C

B

A

REPLACEMENT LATCH PIN

 9300 73rd Avenue North Brooklyn Park, MN 55428			TITLE:		
			Smoke Vent, Acoustical STC48, 48x60, Dbl Dr, Galv Steel, Black Pwd, Gray Pwd Cvr Ext, Dbl Wall Curb		
	NAME	DATE	SIZE	DWG. NO.	REV
DRAWN	SGS	4/15/14	B	SVX-KIT-RETRO	-
RELEASED	ELW	4/15/14			

PROPRIETARY AND CONFIDENTIAL: THE INFORMATION CONTAINED IN THIS DRAWING IS THE SOLE PROPERTY OF BABCOCK-DAVIS. ANY REPRODUCTION IN PART OR AS A WHOLE WITHOUT THE WRITTEN PERMISSION OF BABCOCK-DAVIS IS PROHIBITED.

8

7

6

5

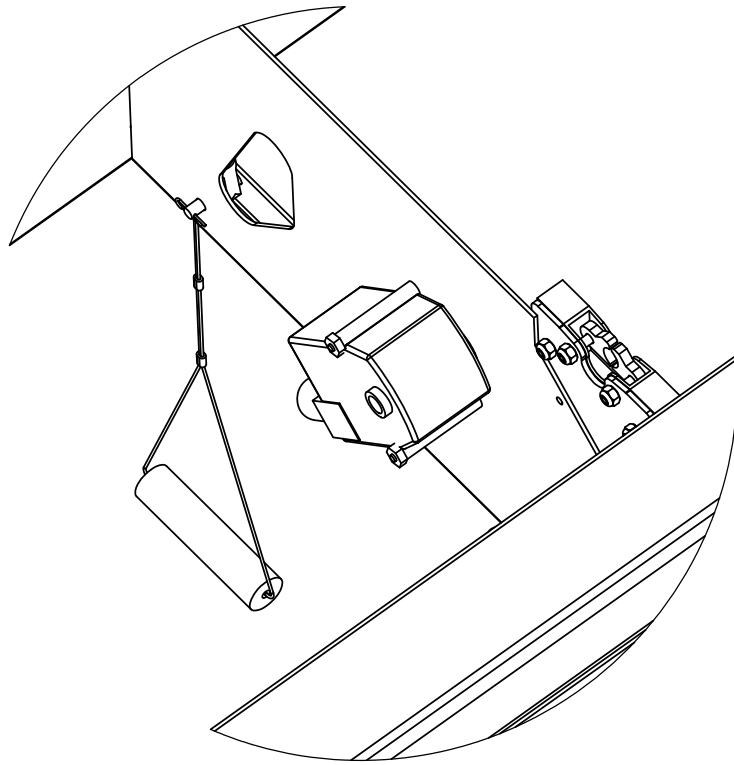
4

3

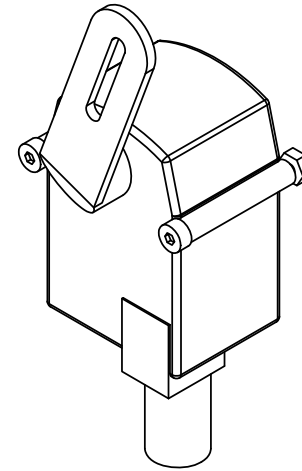
2

1

REPLACEMENT PART NUMBER	DESCRIPTION
SV-KIT-ELECTRIC-D-24	PKG, ELECTRICAL RELEASE, 24VDC/VAC, STC
SV-KIT-ELECTRIC-D-110	PKG, ELECTRICAL RELEASE, 120/240VAC, STC



FACTORY INSTALLED VIEW
(STC DOUBLE DOOR)



REPLACEMENT PART VIEW
(SVX-KIT-ELECTRIC-D-24)

REPLACEMENT ELECTRIC

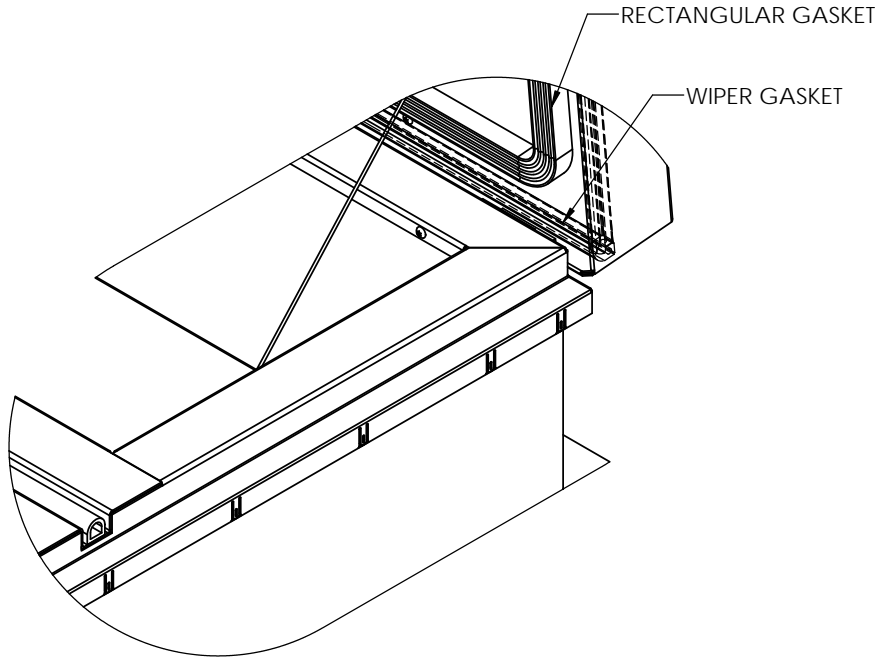
babcockdavis[®]
9300 73rd Avenue North
Brooklyn Park, MN 55428

TITLE: Smoke Vent, Acoustical STC48,
48x60, Dbl Dr,
Galv Steel, Black Pwd, Gray Pwd Cvr Ext, Dbl
Wall Curb

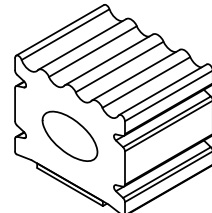
NAME	DATE	SIZE	DWG. NO.	REV
DRAWN	SGS	4/15/14	B SVX-KIT-RETRO	-
RELEASED	ELW	4/15/14		

WEIGHT: Weight SHEET 8 OF 13

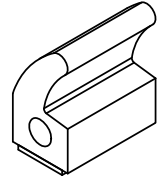
8	7	6	5	4	3	2	1
REPLACEMENT PART NUMBER	DESCRIPTION						
SV-KIT-GASKET	GASKET, RH, SV, WIPER SEAL						
SVX-KIT-GASKET-STC1	GASKET, RECTANGULAR, STC						



FACTORY INSTALLED VIEW



RECTANGULAR GASKET (SVX-KIT-GASKET-STC1)



WIPER GASKET (SV-KIT-GASKET)

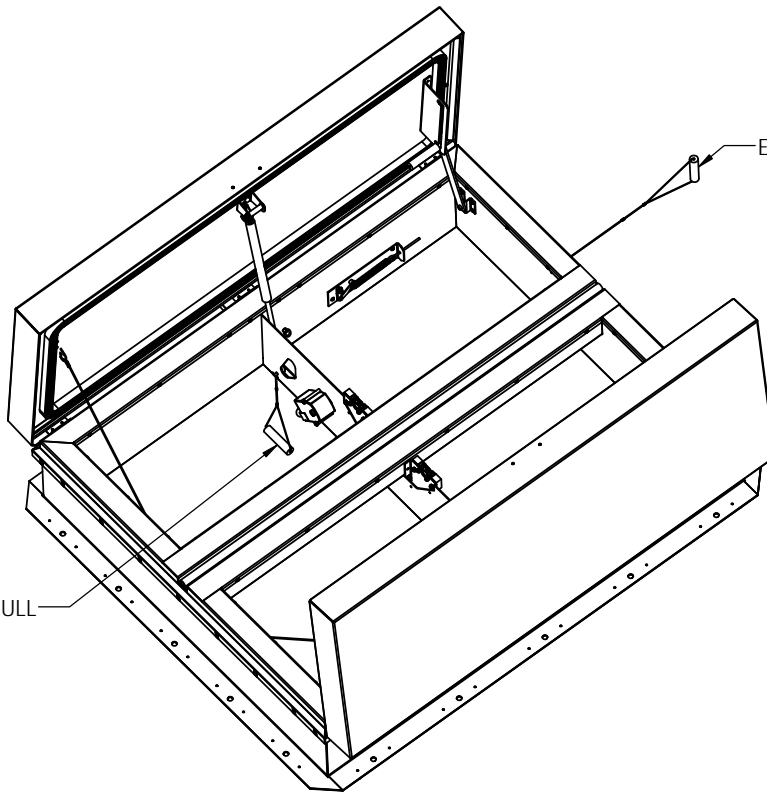
REPLACEMENT PART VIEW

REPLACEMENT GASKET

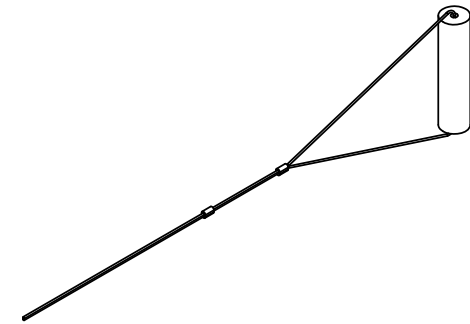
			TITLE: Smoke Vent, Acoustical STC48, 48x60, Dbl Dr, Galv Steel, Black Pwd, Gray Pwd Cvr Ext, Dbl Wall Curb		
9300 73rd Avenue North Brooklyn Park, MN 55428			SIZE	DWG. NO.	REV
DRAWN	SGS	4/15/14	B	SVX-KIT-RETRO	-
RELEASED	ELW	4/15/14			

PROPRIETARY AND CONFIDENTIAL: THE INFORMATION CONTAINED IN THIS DRAWING IS THE SOLE PROPERTY OF BABCOCK-DAVIS. ANY REPRODUCTION IN PART OR AS A WHOLE WITHOUT THE WRITTEN PERMISSION OF BABCOCK-DAVIS IS PROHIBITED.

REPLACEMENT PART NUMBER	DESCRIPTION
SV-KIT-MANUALPULL-100	PKG, PULL HANDLE, 100FT, SV
SV-KIT-MANUALPULL-50	PKG, PULL HANDLE, 50FT, SV
SV-KIT-MANUALPULL-10	PKG, PULL HANDLE, 10FT, SV



FACTORY INSTALLED VIEW



REPLACEMENT PART VIEW

REPLACEMENT MANUAL PULL

			TITLE: Smoke Vent, Acoustical STC48, 48x60, Dbl Dr, Galv Steel, Black Pwd, Gray Pwd Cvr Ext, Dbl Wall Curb		
9300 73rd Avenue North Brooklyn Park, MN 55428			SIZE	DWG. NO.	REV
DRAWN	SGS	4/15/14	B	SVX-KIT-RETRO	-
RELEASED	ELW	4/15/14			
PROPRIETARY AND CONFIDENTIAL: THE INFORMATION CONTAINED IN THIS DRAWING IS THE SOLE PROPERTY OF BABCOCK-DAVIS. ANY REPRODUCTION IN PART OR AS A WHOLE WITHOUT THE WRITTEN PERMISSION OF BABCOCK-DAVIS IS PROHIBITED.			WEIGHT: Weight	SHEET 10 OF 13	

D

C

B

A

8 7 6 5 4 3 2 1

8 7 6 5 4 3 2 1

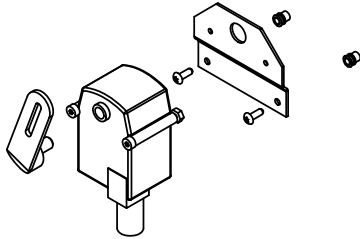
8	7	6	5	4	3	2	1
REPLACEMENT PART NUMBER	DESCRIPTION						
KIT-SPRAYPAINT-FP1	SPRAY PAINT, ANSI 70 GRAY, ACRYLIC ENAMEL RESIN, 12.8 OZ CAN						
KIT-SPRAYPAINT-FP2	SPRAY PAINT, RED OXIDE, ACRYLIC ENAMEL RESIN, 12.8 OZ CAN						
KIT-SPRAYPAINT-FP4	SPRAY PAINT, SUPER BLACK, ACRYLIC ENAMEL RESIN, 12.8 OZ CAN						
KIT-SPRAYPAINT-FP44	SPRAY PAINT, HI REFLECT WHITE, ACRYLIC ENAMEL RESIN, 12.8 OZ CAN						
KIT-SPRAYPAINT-FP48	SPRAY PAINT, SAFETY YELLOW, ACRYLIC ENAMEL RESIN, 12.8 OZ CAN						



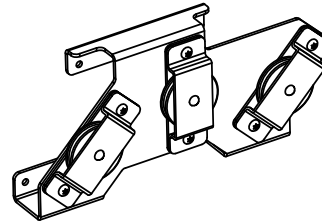
TOUCH UP SPRAY CANS

			TITLE: Smoke Vent, Acoustical STC48, 48x60, Dbl Dr, Galv Steel, Black Pwd, Gray Pwd Cvr Ext, Dbl Wall Curb		
9300 73rd Avenue North Brooklyn Park, MN 55428			SIZE	DWG. NO.	REV
DRAWN	SGS	4/15/14	B	SVX-KIT-RETRO	-
RELEASED	ELW	4/15/14			
PROPRIETARY AND CONFIDENTIAL: THE INFORMATION CONTAINED IN THIS DRAWING IS THE SOLE PROPERTY OF BABCOCK-DAVIS. ANY REPRODUCTION IN PART OR AS A WHOLE WITHOUT THE WRITTEN PERMISSION OF BABCOCK-DAVIS IS PROHIBITED.			WEIGHT: Weight		SHEET 11 OF 13

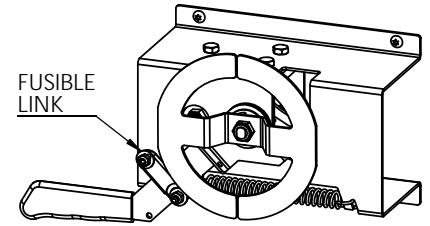
REPLACEMENT PART NUMBER	DESCRIPTION
SV-KIT-RETROWINCH	PKG, MANUAL WINCH, UL LISTED, 165F, RETRO FIT
SV-KIT-THERMAL-WINCH	PKG, ASSY, VENT LVL WINCH, DUAL ALM, 165F
SV-KIT-BRKWINCH	PKG, ASSY, FLOOR LVL WINCH, BRAKE WINCH
SV-KIT-CRBPLYGRP	PKG, ASSY, PULLEY GROUP, WINCH, MID SUPPORT
SV-KIT-CRBPLY	PKG, ASSY, PULLEY ANGLE, WINCH, CURB
SV-KIT-CVRPLY	PKG, ASSY, PULLEY, WINCH, COVER
SV-KIT-EYEBOLT	PKG, CABLE REDIRECT
SV-KIT-ELECTRIC-W-24	PKG, ELECTRICAL RELEASE, 24VDC/VAC, MANUAL WINCH
SV-KIT-ELECTRIC-W-110	PKG, ELECTRICAL RELEASE, 120/240VAC, MANUAL WINCH



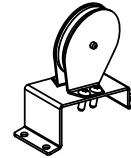
REPLACEMENT PART VIEW
(SV-KIT-ELECTRIC-W-24)



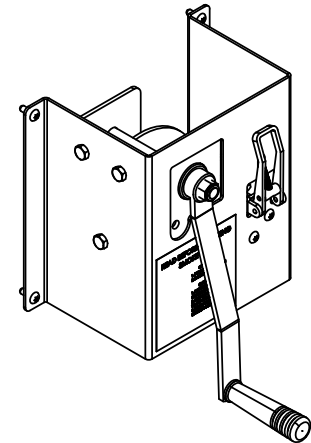
REPLACEMENT PART VIEW
(SV-KIT-CRBPLYGRP)



REPLACEMENT PART VIEW
(SV-KIT-THERMAL-WINCH)



REPLACEMENT PART VIEW
(SV-KIT-CRBPLY)



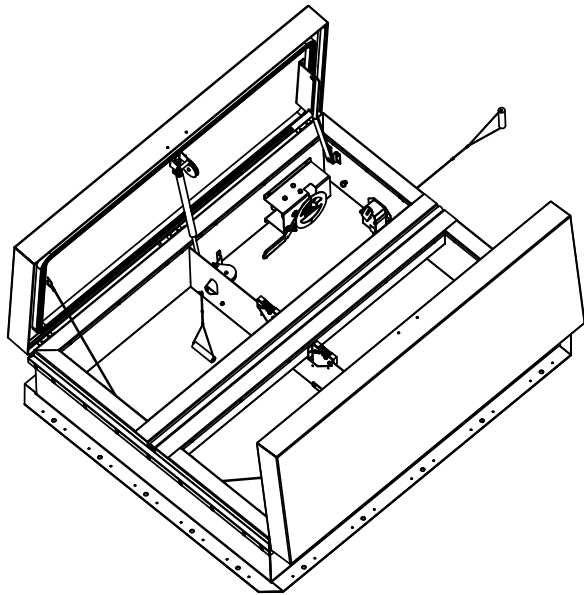
REPLACEMENT PART VIEW
(SV-KIT-BRKWINCH)



REPLACEMENT PART VIEW
(SV-KIT-EYEBOLT)



REPLACEMENT PART VIEW
(SV-KIT-CVRPLY)

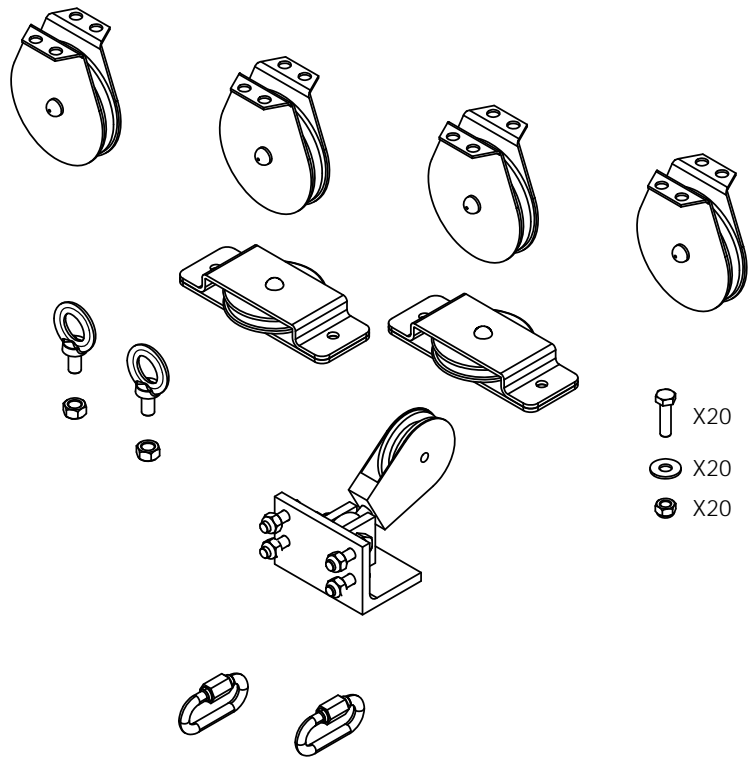


FACTORY INSTALLED VIEW

REPLACEMENT MANUAL WINCH

			TITLE: Smoke Vent, Acoustical STC48, 48x60, Dbl Dr, Galv Steel, Black Pwd, Gray Pwd Cvr Ext, Dbl Wall Curb		
9300 73rd Avenue North Brooklyn Park, MN 55428			SIZE	DWG. NO.	REV
DRAWN	SGS	4/15/14	B	SVX-KIT-RETRO	-
RELEASED	ELW	4/15/14			
PROPRIETARY AND CONFIDENTIAL: THE INFORMATION CONTAINED IN THIS DRAWING IS THE SOLE PROPERTY OF BABCOCK-DAVIS. ANY REPRODUCTION IN PART OR AS A WHOLE WITHOUT THE WRITTEN PERMISSION OF BABCOCK-DAVIS IS PROHIBITED.			WEIGHT: Weight	SHEET 12 OF 13	

8	7	6	5	4	3	2	1
REPLACEMENT PART NUMBER	DESCRIPTION						
SV-KIT-RIGGING	PKG, KIT, RIGGING HARDWARE						



RIGGING HARDWARE

 9300 73rd Avenue North Brooklyn Park, MN 55428			TITLE:			REV
			Smoke Vent, Acoustical STC48, 48x60, Dbl Dr, Galv Steel, Black Pwd, Gray Pwd Cvr Ext, Dbl Wall Curb			
	NAME	DATE	SIZE	DWG. NO.		
DRAWN	SGS	4/15/14	B	SVX-KIT-RETRO		
RELEASED	ELW	4/15/14	WEIGHT: Weight	SHEET 13 OF 13		

PROPRIETARY AND CONFIDENTIAL: THE INFORMATION CONTAINED IN THIS DRAWING IS THE SOLE PROPERTY OF BABCOCK-DAVIS. ANY REPRODUCTION IN PART OR AS A WHOLE WITHOUT THE WRITTEN PERMISSION OF BABCOCK-DAVIS IS PROHIBITED.

8	7	6	5	4	3	2	1
---	---	---	---	---	---	---	---