

8

7

6

5

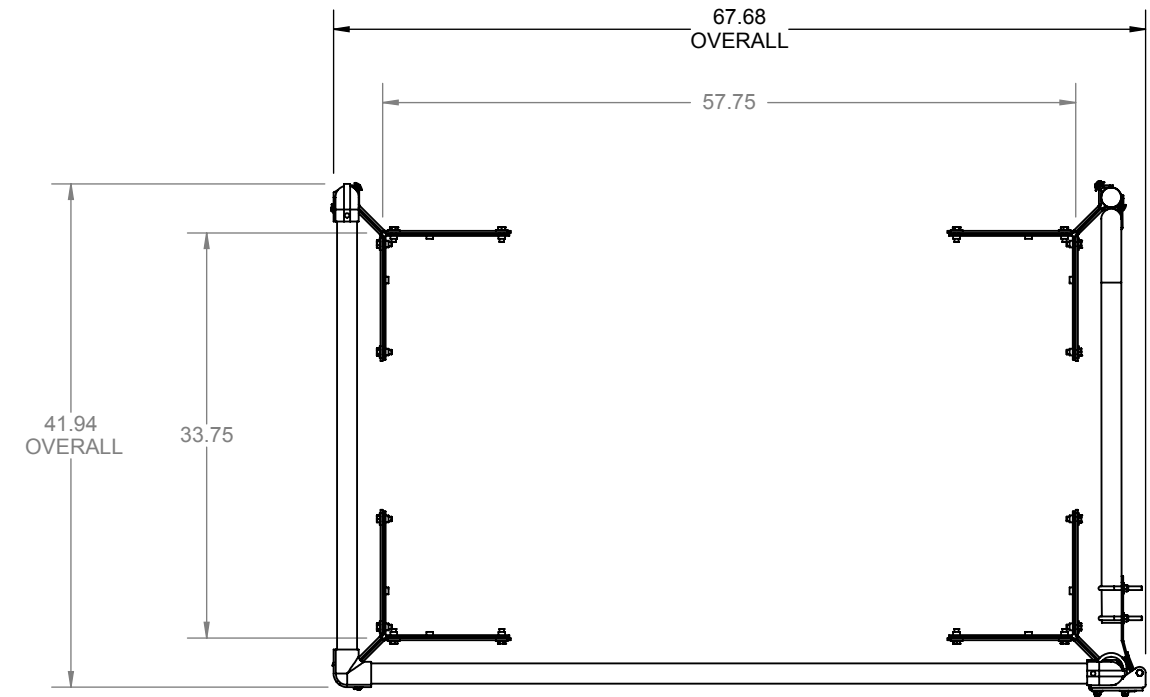
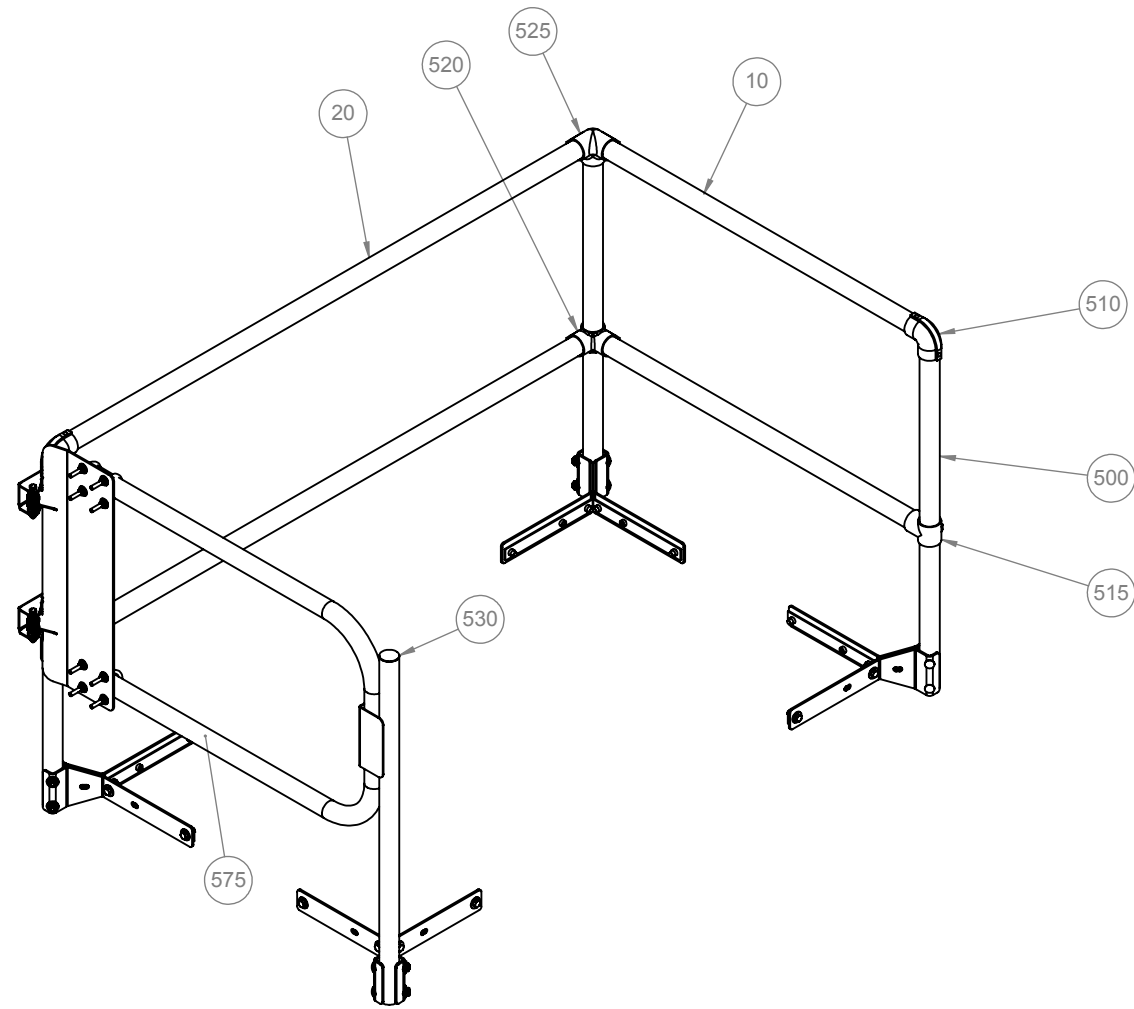
4

3

2

1

ITEM NO.	PART NUMBER	DESCRIPTION	QTY.
10	27496-37.75-Y	RAIL, 1-1/4" X 37.75L,	2
20	27496-61.50-Y	RAIL, 1-1/4" X 61.50L,	2
500	27180-A-Y	PKG, CORNER POST, ZPS,	4
510	27185	FTG, ELBOW,	2
515	27188	FTG, TEE,	2
520	27186	FTG, CROSS ELBOW,	1
525	27231	FTG, DBL TEE,	1
530	27189	FTG, END CAP	1
575	SRCA-GATE-30	GATE, 30,	1



SPECIFICATIONS

RAILS, POSTS: 6061 T6 ALUMINUM ALLOY 1-1/4" I.D. SCH 40

GATE: 1 1/4" TUBULAR ALUMINUM SELF CLOSING WITH COIL SPRING, ZINC PLATED

COUNTERFLASH MOUNTING BRACKETS: 3/16" ZINC PLATED STEEL FASTENED TO STEEL BACKING PLATE

BOLTS: HEX HEAD BOLTS 3/8"-16 x 3/4" GRADE 5 ZINC PLATED

RAILING FITTINGS AND PLUGS: MANUFACTURER'S STANDARD CAST WITH SET SCREW HOLD

FITS HATCH SIZES UP TO 30" X 54"

CERTIFICATIONS: MEETS OSHA 29 CFR 1910.28 AND 1910.29 REQUIREMENTS FOR FALL PROTECTION; SUPPORTS 200 LBS. FORCE.

FINISH: SAFETY YELLOW POWDER COAT

SRCAY30X54SG



9300 73rd Avenue North
Brooklyn Park, MN 55428

TITLE:
Safety Railings for Roof Hatch
30x54, Side Exit, Sngl Door
Alum, Safety Yellow Pwd, Self Closing Gate

	NAME	DATE
DRAWN	SJB	TODAY
RELEASED	DWO	1/14/2019

SIZE	DWG. NO.	REV
B	SRCAY30X54SG	A

WEIGHT: Weight SHEET 1 OF 1

8

7

6

5

4

3

2

1