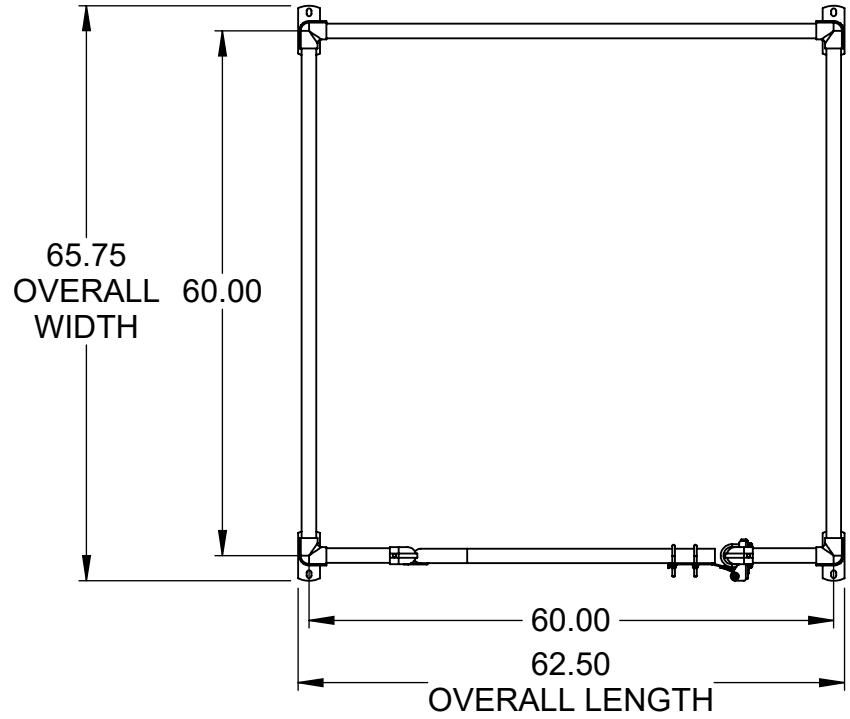


ITEM NO.	PART NUMBER	DESCRIPTION	QTY.
10	27496-58.00-Y	RAIL, 1-1/4" X 58.00L, ALUM	2
20	-	-	-
30	27496-58.00-Y	RAIL, 1-1/4" X 58.00L, ALUM	4
40	-	-	-
50	27496-19.50-Y	RAIL, 1-1/4" X 19.50L, ALUM	2
60	27496-9.25-Y	RAIL, 1-1/4" X 9.25L, ALUM	4
70	-	-	-
80	-	-	-
90	-	-	-
100	-	-	-
500	31241-A-Y	PKG, CORNER POST, ALUM,	4
510	-	-	-
520	27231	FTG, DBL TEE,	4
530	27186	FTG, CROSS ELBOW,	4
540	27185	FTG, ELBOW,	4
550	-	-	-
560	-	-	-
570	-	-	-
580	-	-	-
590	SRCAY-GATE-30	GATE, 30,	1



SPECIFICATIONS

RAILS, POSTS: 6061 T6 ALUMINUM ALLOY 1 1/4" I.D. SCH 40

GATE: 1 1/4" TUBULAR ALUMINUM SELF CLOSING WITH COIL SPRING, ZINC PLATED

BOLTS: HEX HEAD BOLTS 3/8"-16 x 3/4" GRADE 5 ZINC PLATED

RAILING FITTINGS AND PLUGS: MANUFACTURER'S STANDARD CAST WITH SET SCREW HOLD

FITS HATCH SIZES UP TO 48" X 48"

CERTIFICATIONS: MEETS OSHA 29 CFR 1910.23 GUARDING FOR OPENINGS REQUIREMENTS; SUPPORTS 200 LBS FORCE

FINISH: SAFETY YELLOW POWDER COAT

SRTAY48X48FG

babcockdavis		TITLE: Safety Railings for Floor Door 48x48, Front Exit, Aluminum, Safety Yellow Pwd, Self Closing Gate,	
9300 73rd Avenue North Brooklyn Park, MN 55428		SIZE	DWG. NO.
DRAWN	DWO	9/27/2024	B Babcock SRTAY48X48FG
RELEASED	DWO	9/27/2024	
		WEIGHT: 54.6	REV A
		SHEET 1 OF 1	