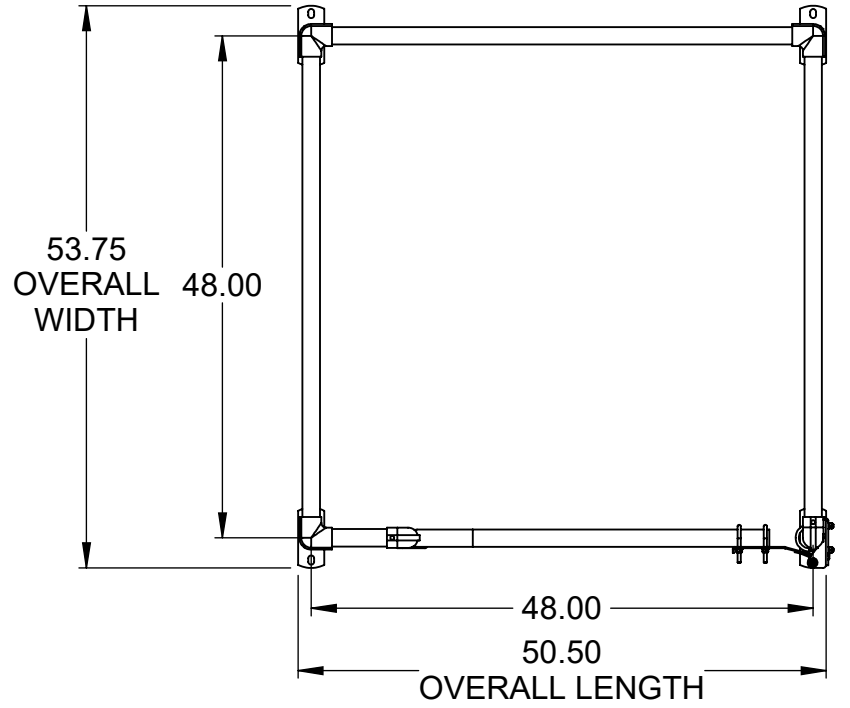


ITEM NO.	PART NUMBER	DESCRIPTION	QTY.
10	27496-46.00-Y	RAIL, 1-1/4" X 46.00L, ALUM	2
20	-	-	-
30	27496-46.00-Y	RAIL, 1-1/4" X 46.00L, ALUM	4
40	-	-	-
50	27496-19.50-Y	RAIL, 1-1/4" X 19.50L, ALUM	1
60	27496-7.25-Y	RAIL, 1-1/4" X 7.25L, ALUM	2
70	-	-	-
80	-	-	-
90	-	-	-
100	-	-	-
500	31241-A-Y	PKG, CORNER POST, ALUM,	4
510	-	-	-
520	27231	FTG, DBL TEE,	3
530	27186	FTG, CROSS ELBOW,	3
540	27185	FTG, ELBOW,	3
550	27188	FTG, TEE,	1
560	-	-	-
570	-	-	-
580	-	-	-
590	SRCAY-GATE-30	GATE, 30,	1



SPECIFICATIONS

RAILS, POSTS: 6061 T6 ALUMINUM ALLOY 1 1/4" I.D. SCH 40

GATE: 1 1/4" TUBULAR ALUMINUM SELF CLOSING WITH COIL SPRING, ZINC PLATED

BOLTS: HEX HEAD BOLTS 3/8"-16 x 3/4" GRADE 5 ZINC PLATED

RAILING FITTINGS AND PLUGS: MANUFACTURER'S STANDARD CAST WITH SET SCREW HOLD

FITS HATCH SIZES UP TO 36" X 36"

CERTIFICATIONS: MEETS OSHA 29 CFR 1910.23 GUARDING FOR OPENINGS REQUIREMENTS; SUPPORTS 200 LBS FORCE

FINISH: SAFETY YELLOW POWDER COAT

SRTAY36X36FG

<p>9300 73rd Avenue North Brooklyn Park, MN 55428</p>	TITLE: Safety Railings for Floor Door 36x36, Front Exit, Aluminum, Safety Yellow Pwd, Self Closing Gate,												
	<table border="1"> <tr> <th>NAME</th> <th>DATE</th> </tr> <tr> <td>DWO</td> <td>9/27/2024</td> </tr> <tr> <td>DWO</td> <td>9/27/2024</td> </tr> </table>	NAME	DATE	DWO	9/27/2024	DWO	9/27/2024	<table border="1"> <tr> <th>SIZE</th> <th>DWG. NO.</th> <th>REV</th> </tr> <tr> <td>B</td> <td>Babcock SRTAY36X36FG</td> <td>A</td> </tr> </table>	SIZE	DWG. NO.	REV	B	Babcock SRTAY36X36FG
NAME	DATE												
DWO	9/27/2024												
DWO	9/27/2024												
SIZE	DWG. NO.	REV											
B	Babcock SRTAY36X36FG	A											
WEIGHT: 46.4		SHEET 1 OF 1											