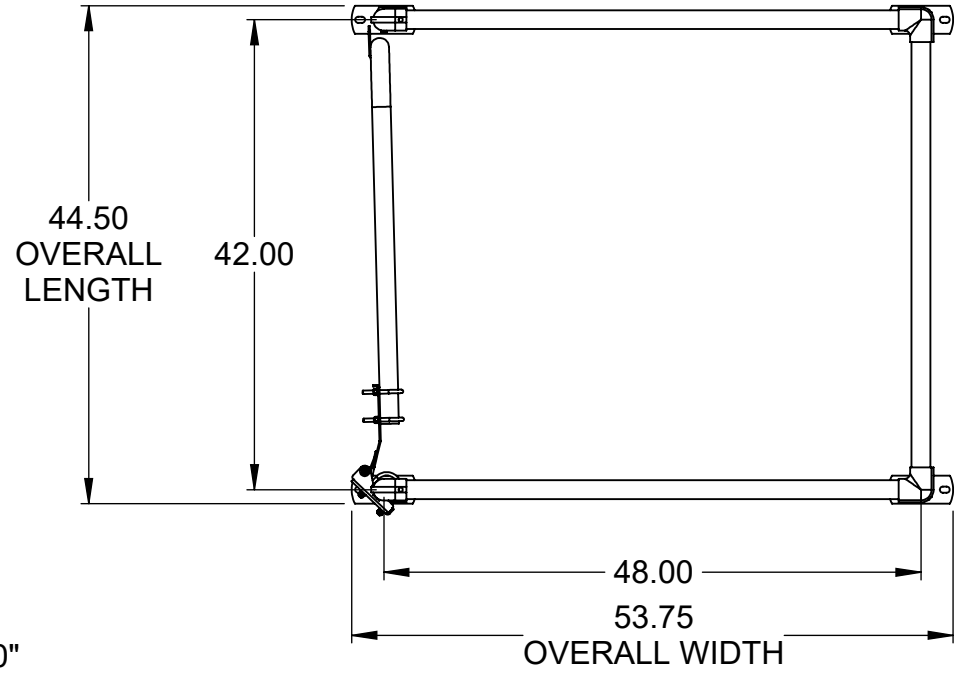


ITEM NO.	PART NUMBER	DESCRIPTION	QTY.
10	27496-40.00-Y	RAIL, 1-1/4" X 40.00L, ALUM	2
20	-	-	-
30	27496-46.00-Y	RAIL, 1-1/4" X 46.00L, ALUM	4
40	-	-	-
50	-	-	-
60	-	-	-
70	-	-	-
80	-	-	-
90	-	-	-
100	-	-	-
500	31241-A-Y	PKG, CORNER POST, ALUM,	4
510	-	-	-
520	27231	FTG, DBL TEE,	2
530	27186	FTG, CROSS ELBOW,	2
540	27185	FTG, ELBOW,	2
550	27188	FTG, TEE,	2
560	-	-	-
570	-	-	-
580	-	-	-
590	SRCAY-GATE-30	GATE, 30,	1



SPECIFICATIONS

RAILS, POSTS: 6061 T6 ALUMINUM ALLOY 1 1/4" I.D. SCH 40

GATE: 1 1/4" TUBULAR ALUMINUM SELF CLOSING WITH COIL SPRING, ZINC PLATED

BOLTS: HEX HEAD BOLTS 3/8"-16 x 3/4" GRADE 5 ZINC PLATED

RAILING FITTINGS AND PLUGS: MANUFACTURER'S STANDARD CAST WITH SET SCREW HOLD

FITS HATCH SIZES UP TO 36" X 30"

CERTIFICATIONS: MEETS OSHA 29 CFR 1910.23 GUARDING FOR OPENINGS REQUIREMENTS; SUPPORTS 200 LBS FORCE

FINISH: SAFETY YELLOW POWDER COAT

SRTAY36X30FG



9300 73rd Avenue North
Brooklyn Park, MN 55428

TITLE:		Safety Railings for Floor Door 36x30, Front Exit, Aluminum, Safety Yellow Pwd, Self Closing Gate,	
SIZE	DWG. NO.	REV	
B	Babcock SRTAY36X30FG	A	
WEIGHT: 42.6		SHEET 1 OF 1	

8 7 6 5 4 3 2 1

8 7 6 5 4 3 2 1

D

C

B

A

D

C

B

A