

# 1 INCH PAN FLOOR DOOR

Model: BFDPPA

## GENERAL DESCRIPTION

Floor Door products are designed and built for years of convenient access for personnel as well as equipment. The following are general instructions for installing, operating, and maintaining floor door products. These are recommended general guidelines only. Locally accepted installation, sealing practices and procedures should be followed to ensure the ultimate durability of floor doors installed into various types of flooring systems.



The Architectural Recessed Floor Door is engineered with a recess to allow for ceramic tile, concrete, or wood flooring. This design preserves the architectural aesthetics while maintaining a minimal sight line.

**For dry, interior installation only. Not intended for wet or exterior environments, as some hardware is not stainless steel.**

Special care is required when handling and installing floor doors. Please make sure that all framework and doors are supported during transport and installation to insure against bending or cracking of the floor door

**GENERAL SAFETY PRECAUTIONS** Improper selection, installation, or use can cause personal injury or property damage. It is solely the responsibility of the user, through its own analysis to select products suitable for their specific application requirements, ensure they are properly maintained, and limit their use to its intended purpose. Follow proper local, state, and federal regulations for proper installation and operation requirements.

## Introduction + Safety

Please read the complete instructions carefully before beginning any work. To ensure proper installation and performance of the product, the following actions must be completed by the installing contractor. Failure to do so will affect product warranty.

## Transportation + Storage

- Inspect all shipments and materials for missing or damaged components and hardware.
- Floor doors are shipped with the intent for installation within 30 days.
- If storage is required ensure the floor doors are stored flat, covered, and indoors.

## Preparation

- Locate the packing slip(s) and/or shop drawings.
- Verify that all products listed on the packing slip are included in the package.
- Check the products for damage. If products are damaged, report a freight claim immediately and leave the products in their packaging. If you sign for products without reporting damage you waive your right to a freight claim and will be responsible for their replacement cost.
- Read the instructions thoroughly before beginning installation.

## CHECK SHIPMENT FOR PARTS SHIPPED LOOSE FOR FIELD INSTALLATION

Please inspect and set aside parts for later installation

- Anchor bolts and hardware
- Pneumatic Spring

## Tool List

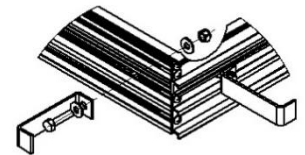
- Tape Measure
- Level
- (2) 1/2" Wrenches

## INSTALLATION

### FRAME INSTALLATION INSTRUCTIONS FOR CONCRETE POUR IN PLACE

1. Attach the anchor straps
  - a. The concrete anchors, bolts and nylon lock nuts are shipped loose and must be attached prior to installation.  
(See Figure 1)  
NOTE: You will need two wrenches to install the anchors.
  - b. Position the anchor over a pre-drilled hole and insert the bolt from the inside of the frame through both the frame and anchor.
  - c. Use one wrench to hold the bolt in place and the second wrench to tighten the nylon lock nut.
  - d. Repeat step 3 with each anchor strap.

Figure 1



2. Set the frame in the opening.

*NOTE: The outside opening of the frame is the “opening size”.*

- a. Secure the floor door into the desired area with welding, bolting or other anchorage, making sure not to interfere with the operation of the hatch.

3. Square the frame

- a. It is vital that the frame remains square during the concrete pour.

4. Protect exposed aluminum from wet concrete

- a. To ensure a good quality installation and prevent staining, alkaline building materials such as wet concrete should be removed quickly from aluminum surfaces.

5. Pour concrete

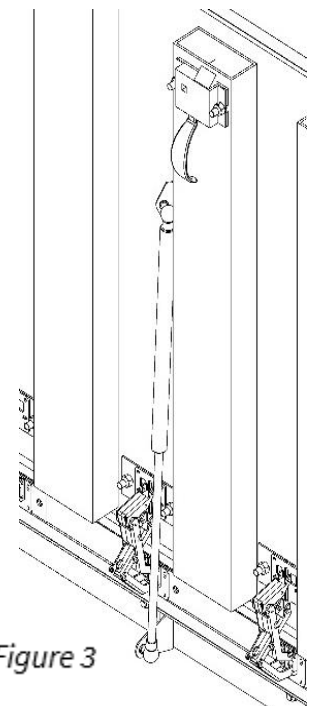
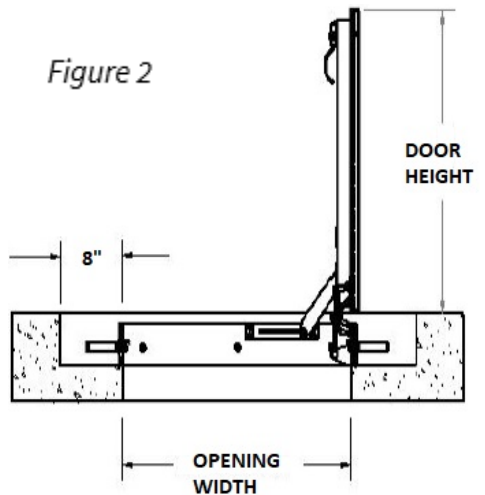
- a. Pour concrete to the top edge of the frame, leveling to finish flush with the top flange of the floor door. **Allow the concrete to cure for 7 days prior to operating the floor door.** Operating the unit prior may crack the concrete.
- b. After the 7 days allowed for concrete curing, open the door(s) and inspect the unit for excess concrete that may have seeped or fallen into the hinges, or latch. Remove any concrete to ensure smooth operation.
- c. If blocking out for a back pour block out 6 to 8” on each side of the opening. (See Figure 2)

6. Install the spring(s)

- a. The door must be manually held open in the 90-degree position during spring installation. **The spring, once installed, will automatically hold the door open.**
- b. The spring should be installed with the gas cylinder end attached to the door and the rod end attached to the frame.
- d. While the door is open, snap the gas cylinder end into the ball stud bracket on the door the snap the rod end to t the ball stud bracket on the frame. (See Figure 3)

7. Fill the 1 inch pan

- a. Pour the concrete, or secure the tile or wood flooring to the pan.

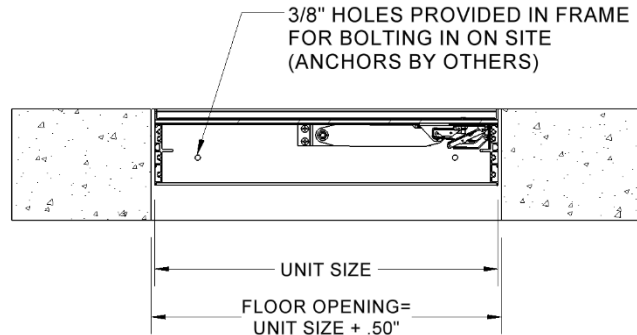


## INSTALLATION

### FRAME INSTALLATION INSTRUCTIONS FOR BOLT-IN PLACE

*NOTE: Floor doors for existing openings are provided with 3/8 inch diameter holes. All mounting hardware is provided by others.*

1. Set the Frame in the opening
  - a. Set the door into the desired opening area and mark where fastener holes are located on the mounting surface. For existing concrete openings, 5/16 inch anchor bolts are recommended. For existing wood openings 5/16 inch lag bolts are recommended.
2. Drill the holes in the mounting surface
  - a. Remove the floor door and drill holes into the mounting surface at the marked locations.
3. Secure the floor door to the mounting surface
  - a. With two or more people, hold the floor door in place and secure to the mounting surface with bolts (provided by others).
4. Install the spring(s)
  - a. The door must be manually held open in the 90-degree position during spring installation. **The spring, once installed, will automatically hold the door open.**
  - b. The spring should be installed with the gas cylinder end attached to the door and the rod end attached to the frame.
  - c. While the door is open, snap the gas cylinder end into the ball stud bracket on the door the snap the rod end to t the ball stud bracket on the frame.
5. Fill the 1 inch pan
  - a. Pour the concrete, or secure the tile or wood flooring to the pan.



## OPERATION

Floor doors are designed and built for years of dependable access. The Pan Doors are manufactured from aluminum. The basic components for door operation include turn handle latches, pneumatic springs, and nickel-plated hinges.

- **Latch:** 316 SST Slam latch with interior rotating handle, and exterior L-handle key
- **Spring:** Pneumatic springs to ensure ease of opening and closing during use
- **Hinge:** Nickel Plated concealed cabinet hinges

### Opening Fully Installed Door

To open the floor door cover, use the slam latch L-handle key and rotate the slam latch. The cover will un-latch and the pneumatic spring will begin to lift the door. Use the lift handle from the top of the cover to fully pull open the door. **The pneumatic spring will hold the door open in the 90-degree position.**

### Closing Fully Installed Door

To close the floor door cover push down. Slam the door slightly to ensure proper latch engagement.

## MAINTENANCE

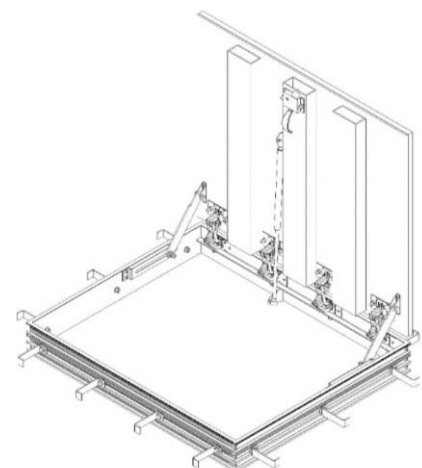
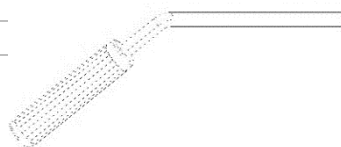
- Floor doors should be manually operated once a year to check performance.
- Lubricate moving parts such as hinges, and latches with a silicone spray lube as required to maintain a smooth opening and closing of the door. Do not over grease. Do not use regular lubricating oil as it can attract dust and grit.
- Non-moving parts should be cleaned with a mild soap or dishwashing detergent and water solution.
- Gaskets should be cleaned with a clean, damp, lint-free cloth. Do not apply mineral oils, vinyl dressings, or other lubricants to the gasket as they may cause the gasket to break down over time.
- If any questions arise during the operation or maintenance of the products, please feel free to call technical assistance
- Floor doors are NOT to be installed in corrosive environments, such as environments exposed to salt water and or hydrogen chloride.

## QUESTIONS?

For more information on installation, repair or replacement, please visit [babcockdavis.com](http://babcockdavis.com)

## PARTS LIST

Part Number	Description
FD-KIT-KEY	LATCH KEY
FD-KIT-SLAMLATCH	STAINLESS STEEL SLAM LATCH
FD-KIT-CABINETHINGE	CABINET HINGE
FD-KIT-SPRING-PANDOOR	SPRING
FD-KIT-MESH-PANDOOR	DOOR MESH
FD-KIT-ANCHORS-PANDOOR	ANCHORS
FD-KIT-GASKET	GASKET
FD-KIT-STOPARM	STOP ARM



### Great Products. Better Partners.

Babcock-Davis is a leader in roof hatches, smoke vents and safety railings for the commercial roofing market. We also manufacture architectural access and safety-related building products for commercial structures. Babcock-Davis provides local connections through a broad distribution network to accelerate and simplify the building process for contractors and building owners, offering hassle-free services including access to technical experts, REVIT tools for BIM, HPDs for LEED v4, 3-part specifications and AIA-accredited continuing education courses.