

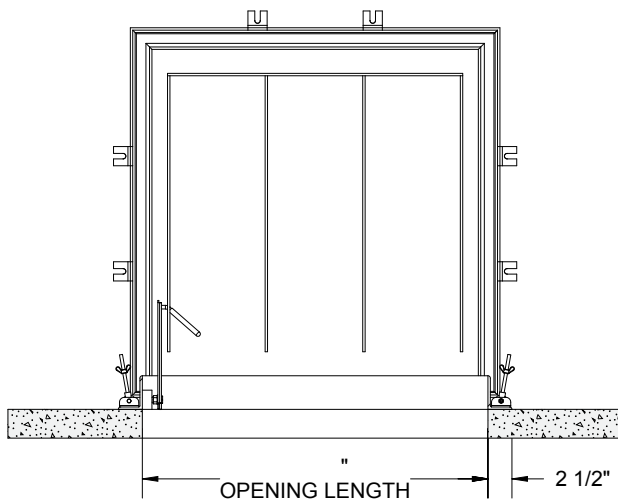
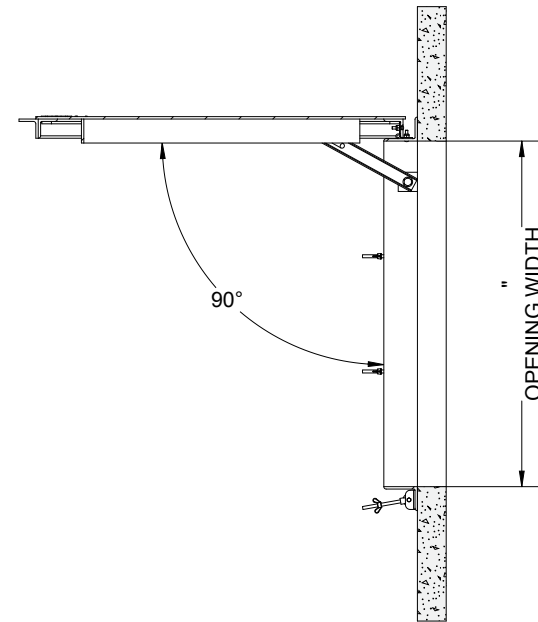
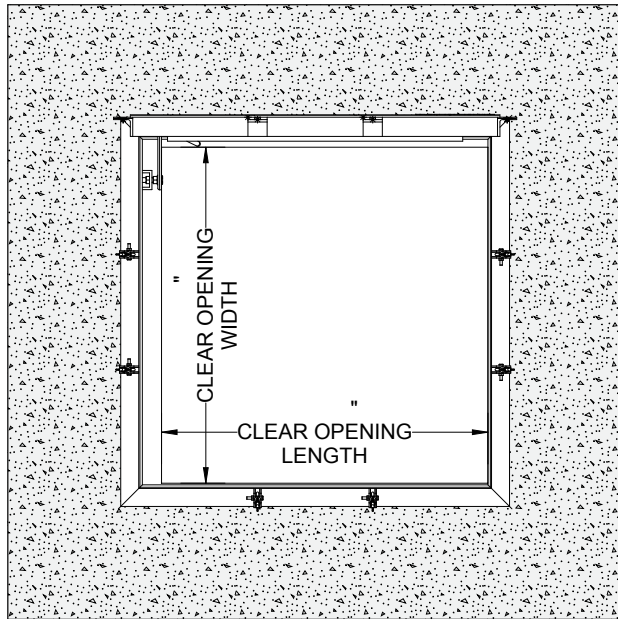
**SPECIFICATIONS:**

- ① **DOOR:** ALUMINUM, 1/4" DIAMOND PLATE, MILL FINISH WITH A LIVE LOAD OF 625 PSF WITH A MAXIMUM DEFLECTION OF L/160
- ② **FRAME:** ALUMINUM, 1/4" EXTRUSION, MILL FINISH
- ③ **HINGES:** TYPE 316 STAINLESS STEEL
- ④ **PRESSURE LOCK LATCHES:** TYPE 316 STAINLESS STEEL
- ⑤ **HOLD-OPEN ARM:** TYPE 316 STAINLESS STEEL WITH RED VINYL GRIP HANDLE

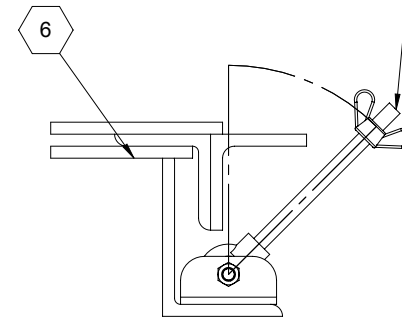
- ⑥ **WATER TIGHT GASKET:** EPDM, AROUND ENTIRE HATCH
- 7. **CERTIFICATIONS:** TESTED TO BE WATER TIGHT UNDER APPLIED PRESSURE OF A 10 FOOT COLUMN OF WATER
- FLOOR DOOR SIZE:**  
" (WIDTH) x " (LENGTH)
- CLEAR UNOBSTRUCTED OPENING:**  
" (WIDTH) x " (LENGTH)
- OPENING:**  
" (WIDTH) x " (LENGTH)

PROPRIETARY AND CONFIDENTIAL; THE INFORMATION CONTAINED IN THIS DRAWING IS THE SOLE PROPERTY OF BABCOCK DAVIS. ANY REPRODUCTION IN PART OR AS A WHOLE WITHOUT THE WRITTEN PERMISSION OF BABCOCK DAVIS IS PROHIBITED. THIS IS A GENERIC SHOP DRAWING AND MAY NOT BE AN ACTUAL REPRESENTATION OF THE FINAL PRODUCT.

PROJECT:			
ARCHITECT:			
CONTRACTOR:			
QTY:			
PART#:		<b>BFDWT</b>	<b>X</b>
		<b>SGK</b>	
9300 73rd Avenue North Brooklyn Park, MN 55428		TITLE: Floor Door, Water Tight Series, Sngl Dr, 316 SST Hdw, Alum, Mill, 625 PSF, Bolt-In, Pressure Lock Latches	
NAME	DATE	SIZE	DWG. NO.
DRAWN JE	04/18/11	A	BFDWT_X_SÛY
RELEASED DWO	04/18/11	WEIGHT: Varies	SHEET 1 OF 2



ROTATE INTO POSITION  
AND TIGHTEN WING NUTS



**PRESSURE LOCK LATCH DETAIL**

				TITLE: Floor Door, Water Tigt Series, Sngl Dr, 316 SST Hdw, Alum, Mill, 625 PSF, Bolt-In, Pressure Lock Latches	
9300 73rd Avenue North Brooklyn Park, MN 55428					
	NAME	DATE	SIZE	DWG. NO.	REV
DRAWN	JE	04/18/11	A	BFDWT_X_SÙY	A
RELEASED	DWO	04/18/11	WEIGHT: Varies		SHEET 2 OF 2

PROPRIETARY AND CONFIDENTIAL; THE INFORMATION CONTAINED IN THIS DRAWING IS THE SOLE PROPERTY OF BABCOCK DAVIS. ANY REPRODUCTION IN PART OR AS A WHOLE WITHOUT THE WRITTEN PERMISSION OF BABCOCK DAVIS IS PROHIBITED. THIS IS A GENERIC SHOP DRAWING AND MAY NOT BE AN ACTUAL REPRESENTATION OF THE FINAL PRODUCT.