

8

7

6

5

4

3

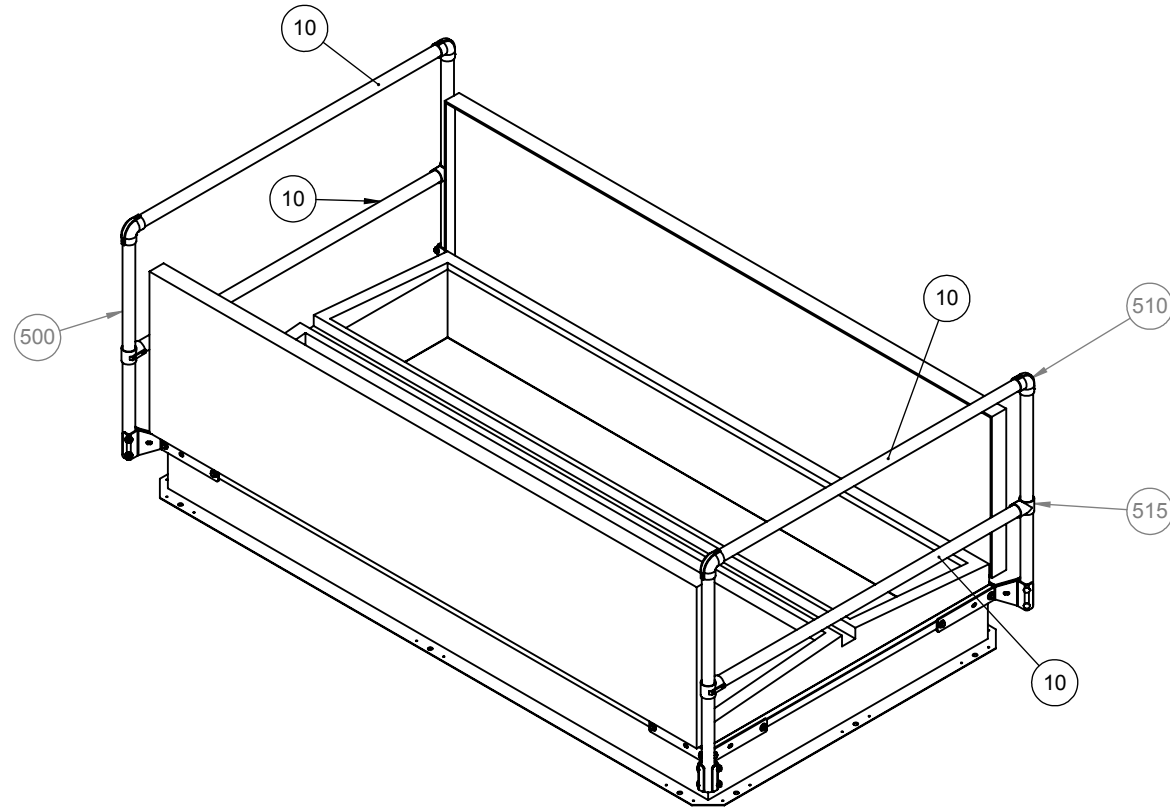
2

1

ITEM NO.	PART NUMBER	DESCRIPTION	QTY.
10	27496-56.75-Y	RAIL, 1-1/4" X 56.75L,	4
500	27180-A-Y	PKG, CORNER POST, ALUM,	4
510	27185	FTG, ELBOW,	4
515	27188	FTG, TEE,	4

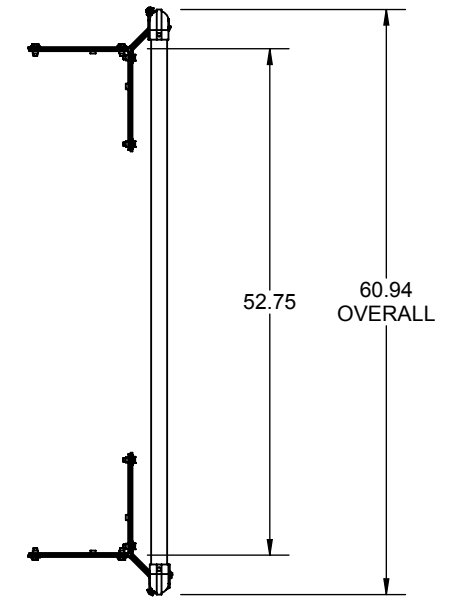
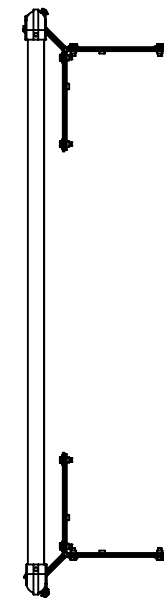
D

D



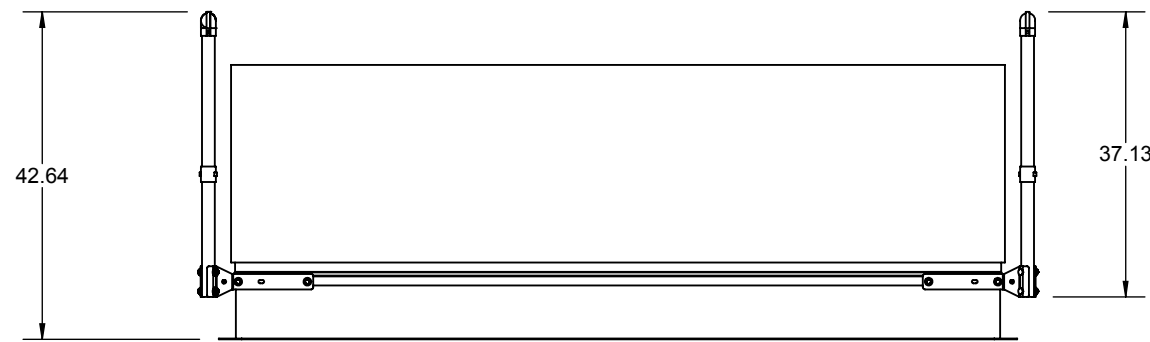
C

C



B

B



A

A

SPECIFICATIONS

RAILS, POSTS: 6061 T6 ALUMINUM ALLOY 1 1/4" I.D. SCH 40

FITS HATCH SIZES UP TO 48" X NA

COUNTERFLASH MOUNTING BRACKETS: 3/16" ZINC PLATED STEEL FASTENED TO STEEL BACKING PLATE

CERTIFICATIONS: MEETS OSHA 29 CFR 1910.28 AND 1910.29 REQUIREMENTS

BOLTS: HEX HEAD BOLTS 3/8"-16 x 3/4" GRADE 5 ZINC PLATED

FINISH: SAFETY YELLOW POWDER COAT

RAILING FITTINGS AND PLUGS: MANUFACTURER'S STANDARD CAST WITH SET SCREW HOLD

SRVAY48XNNTN



9300 73rd Avenue North
Brooklyn Park, MN 55428

TITLE: Safety Railings for Smoke Vent
48xNA, No Exit, Dbl Door,
Aluminum, Safety Yellow Pwd

	NAME	DATE
DRAWN	SJB	TODAY
RELEASED	DWO	7/29/2020

SIZE	DWG. NO.	REV
B	SRVAY48XNNTN	A

PROPRIETARY AND CONFIDENTIAL: THE INFORMATION CONTAINED IN THIS DRAWING IS THE SOLE PROPERTY OF BABCOCK-DAVIS. ANY REPRODUCTION IN PART OR AS A WHOLE WITHOUT THE WRITTEN PERMISSION OF BABCOCK-DAVIS IS PROHIBITED.
©2020 BABCOCK-DAVIS

WEIGHT: Weight SHEET 1 OF 1

8

7

6

5

4

3

2

1