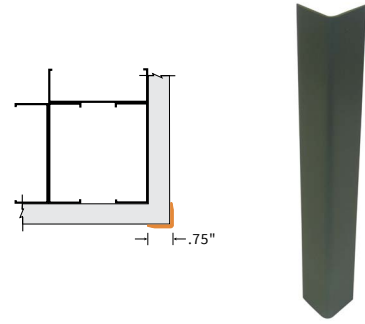


# Extruded Vinyl

## CORNER GUARDS

Babcock-Davis' Extruded Vinyl Corner Guards are a durable solution to unsightly, damaged corners. This Corner Guard is available in 70 colors, Class A fire-rated and meets national building code standards.



### DETAILS

**MATERIAL** Extruded Vinyl

**SIZE** 3/4 inch to 4 inches

**FINISH** Textured

**LENGTH** 4, 8, or 12 Linear Feet

**MOUNTING** Surface Mounted

**CORNER ANGLE** 90° or 135°

**MOUNTING METHOD** Mechanical Fastened or Tape

**FIRE-RATING** Class A

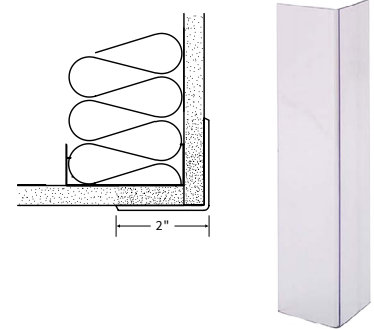
### ORDER GUIDE

MODEL	WING SIZE	CORNER	OPTIONS	
<b>BCGVE</b>			-	- P
	<b>75</b> 3/4"	<b>S</b> Square	<b>D135</b> 135°	
	<b>15</b> 1-1/2"		<b>D</b> Drilled	
	<b>3</b> 3"		<b>T</b> Tape	
	<b>4</b> 4"			

# Lexan®

## CORNER GUARDS

Babcock-Davis' Lexan clear polycarbonate corner guards allow the color of your wall to show through. Our Lexan series is easily installed with simple self-tapping screws and available in a variety of sizes to meet any customer need.



### DETAILS

**MATERIAL** Clear Polycarbonate

**LENGTH** 4 or 8 Linear Feet

**MOUNTING** Surface Mounted

**CORNER ANGLE** 90° or 135°

**MOUNTING METHOD** Mechanical

**CORNER STYLE** Square

**SIZE** 1 inch to 2-1/2 inches

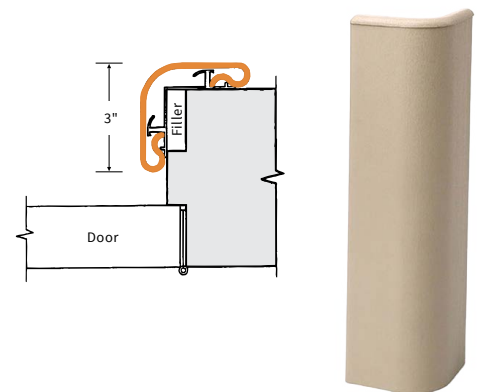
### ORDER GUIDE

MODEL	WING SIZE	CORNER	MOUNTING	OPTIONS
<b>BCGLS</b>				-
	<b>1</b> 1"	<b>S</b> Square	<b>D</b> Drilled Holes	<b>D135</b> 135°
	<b>1125</b> 1-1/8"			
	<b>2</b> 2"			
	<b>25</b> 2-1/2"			

# Vinyl Door

## CORNER GUARDS

Babcock-Davis' Vinyl Door Guards are designed with a 1-1/4 inch radius cover that is mounted over a continuous aluminum cover. The top and bottom caps "lock" the profile cover in place while the retainer can be modified to fit most door frame styles.



### DETAILS

**MATERIAL** Vinyl

**LENGTH** Up to 12 Linear Feet

**FINISH** Textured

**CORNER ANGLE** 90°

**MOUNTING** Surface Mounted

**CORNER STYLE** Bull Nose

**MOUNTING METHOD** Mechanical

**CORNER RADIUS** 1-1/4 inch

**SIZE** 3 inches

### ORDER GUIDE

MODEL	MATERIAL	MOUNTING	WING SIZE	ACCESSORIES
<b>BDG</b>				- P
	<b>V</b> Vinyl	<b>S</b> Surface	<b>3</b> 3"	<b>EC</b> End Cap