

SPECIFICATIONS

BOX

Cold rolled steel with an electrostatically applied, thermally fused polyester coating with recoatable white finish

DOOR AND FRAME

Steel - Cold rolled steel, recoatable white polyester finish

Aluminum - Satin finish, clear polyester coated

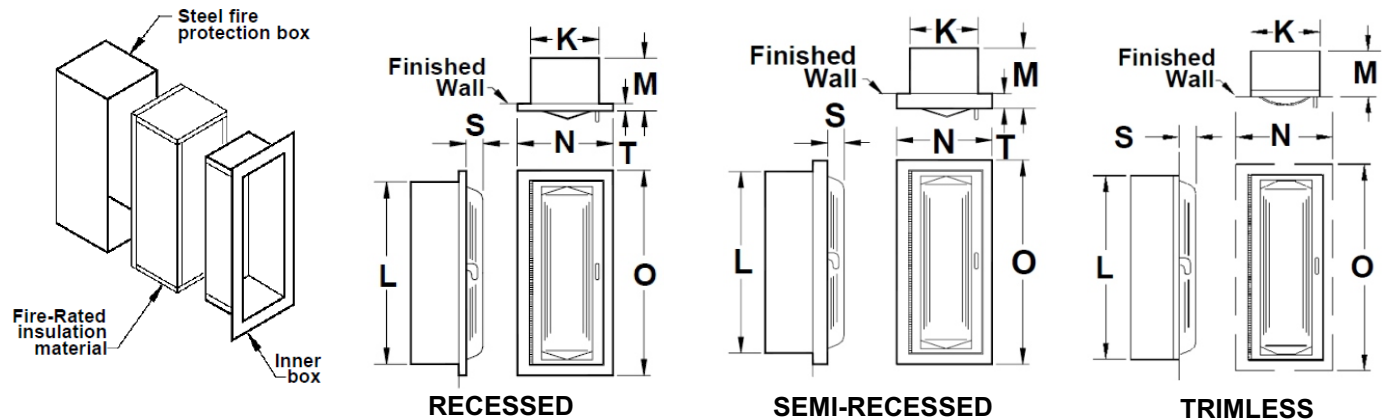
Stainless Steel - T304 Stainless Steel with #4 satin finish

MODEL SELECTION

Wall mounting and size of cabinet as selected by model

QTY	STEEL	QTY	ALUMINUM	QTY	STAINLESS STEEL	WALL MOUNTING	TRIM		BOX I.D. (IN.)			FRAME O.D. (IN.)		WALL OPENING (IN.)			ADA	FOR USE W/EXT*G.
							T	S	K	L	M	N	O	W	H	D		
	BFC-FRC7307		BFC-FRC7337		BFC-FRC7357	Recessed	1/2	2	9	18	4	11-3/4	20-3/4	11-1/4	20	4-5/8	Yes	BEX-3002, BEX-3005 BEX-3005-3
	BFC-FRC7308		BFC-FRC7338		BFC-FRC7358	Semi-Recessed	2	2	9	18	4	11-3/4	20-3/4	11-1/4	20	3-1/8	Yes	BEX-3302, BEX-3305 BEX-3305-3
	BFC-FRC7320		BFC-FRC7340		BFC-FRC7360	Recessed	1/2	2	9	24	4	11-3/4	26-3/4	11-1/4	25	4-5/8	Yes	BEX-3002, BEX-3005 BEX-3005-3
	BFC-FRC7321		BFC-FRC7341		BFC-FRC7361	Trimless	N/A	2	9	24	4-1/2	11-3/4	27-3/4	11-1/4	26	5-5/8	Yes	BEX-3006, BEX-3010 BEX-3302, BEX-3305 BEX-3305-3
	BFC-FRC7322		BFC-FRC7342		BFC-FRC7362	Semi-Recessed	2	2	9	24	4	11-3/4	26-3/4	11-1/4	26	3-1/8	Yes	BEX-3306, BEX-3310
	BFC-FRC7325		BFC-FRC7345		BFC-FRC7365	Recessed	1/2	3	12	27	4-3/4	14-1/2	29-1/2	14-1/4	29	5-3/8	Yes	BEX-320†
	BFC-FRC7326		BFC-FRC7346		BFC-FRC7366	Trimless	N/A	3	12	27	5-1/4	15-1/2	30-1/2	14-1/4	29	6-3/8	Yes	BEX-320†
	BFC-FRC7327		BFC-FRC7347		BFC-FRC7367	Semi-Recessed	3	3	12	27	4-3/4	14-1/2	29-1/2	14-1/4	29	2-7/8	Yes	BEX-3405

†Add 1 inch to M and D dimension with the selection of fire extinguisher.



DOOR STYLE

- BA Full Bubble with catch
- BB Full Bubble with scored acrylic insert and trip lever cylinder lock

ACRYLIC DOOR COLOR

- 6 Clear Colorless
- 7 Bronze
- 9 Smoke

DOOR + FRAME FINISHES

Steel

- Polyester Color _____

Aluminum

- Light Duranodic
- Medium Duranodic
- Dark Duranodic

Stainless Steel

- T304, #8 Mirror Finish

Other

- RED Red Polyester Finish
- RR Rolled Radius Return*

FIRE EXTINGUISHER LETTERING (optional)

- HW Horizontal White
- HB Horizontal Black
- HR Horizontal Red
- VW Vertical White
- VB Vertical Black
- VR Vertical Red
- VAW Vertical Ascending White
- VAB Vertical Ascending Black
- VAR Vertical Ascending Red

*Available only on Semi-Recessed cabinets