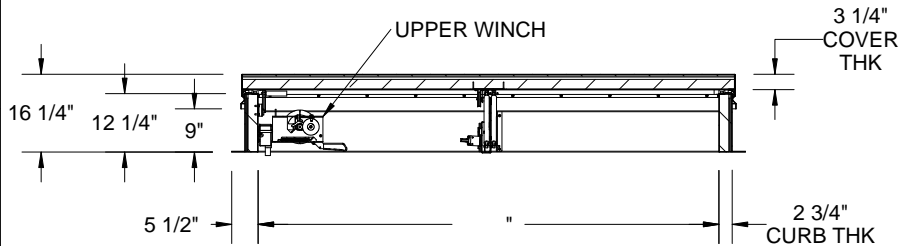
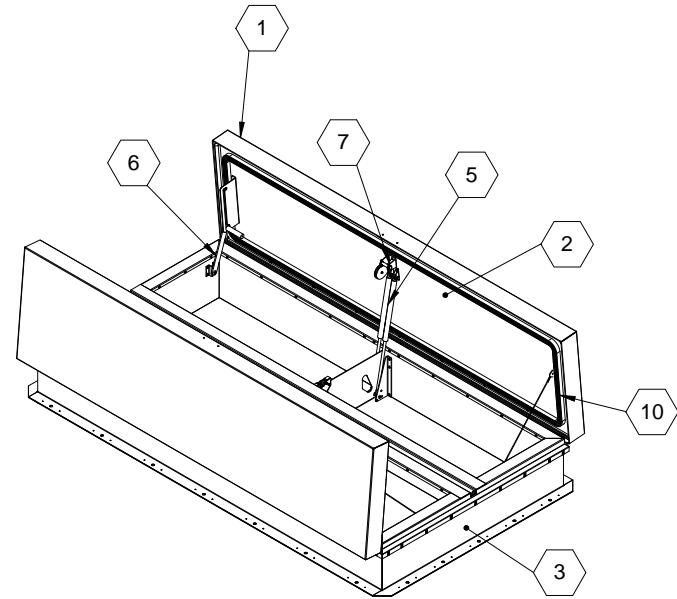
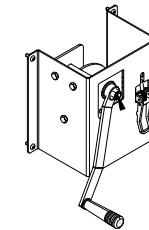


SECTION B-B



SECTION A-A



LOWER WINCH

SPECIFICATIONS:

- ① **COVER:** 14 GAUGE GALVANNEAL COVER STIFFENED TO WITHSTAND A LIVE LOAD OF 40 PSF WITH A MAX DEFLECTION OF 1/150 OF THE SPAN
- ② **LINER:** 14 GAUGE GALVANNEAL
- ③ **CURB AND COUNTERFLASH W/ EZ TAB:** DBL WALL CURB, 14 GAUGE GALVANNEAL
- ④ **FINISH:** COVER - POWDER COAT, HIGH REFLECT WHITE EXTERIOR, BLACK INTERIOR  
CURB - POWDER COAT, BLACK
- ⑤ **GAS SPRING WITH DAMPER:** DESIGNED TO OPEN AGAINST A 10PSF SNOW LOAD IN NOT LESS THAN 2 SECONDS
- ⑥ **HOLD OPEN ARM:** LOCKS COVER IN FULLY OPEN POSITION - ZINC PLATED STEEL
- ⑦ **LATCH:** ZINC PLATED ROTARY LATCH ASSEMBLY DESIGNED TO HOLD COVERS CLOSED AGAINST 90 PSF WIND UPLIFT ZINC PLATED STEEL LATCH STRIKERS ON COVERS

- ⑧ **HINGES:** 304 STAINLESS STEEL BUTT HINGE WITH 1/4" PIN
- ⑨ **INSULATION:** MINERAL WOOL W/ SOUND MAT, R-VALUE 10
- ⑩ **GASKETS:** ADHESIVE BACKED EPDM RUBBER EXTRUSION ON CURB AND COVER
- ⑪ **THERMAL RELEASE MECHANISM:** VENT COVERS OPEN THERMALLY BY HEAT AT FUSIBLE LINK TEMPERATURE 165F °F
- ⑫ **MANUAL OPERATION:** VENT COVERS OPEN WITH EXTERNAL MANUAL PULL HANDLE, 1/16" DIA SST CABLE AND VENT COVERS OPEN AND CLOSE WITH MANUAL WINCH, 100FT 1/8" DIA CABLE
- ⑬ **ELECTRICAL RELEASE:** VENT COVERS OPEN ELECTRICALLY WHEN ENERGIZED WITH 24VAC/VDC, REQUIRES RESET AT ROOF LEVEL
- ⑭ **BURGLAR BARS:** NONE
- ⑮ **SOUND RATING:** STC48 PER ASTM E90, OITC 36 PER ASTM E1332
- SMOKE VENT SIZE** "(WIDTH) x "(LENGTH)  
**EFFECTIVE VENTING AREA 80%**

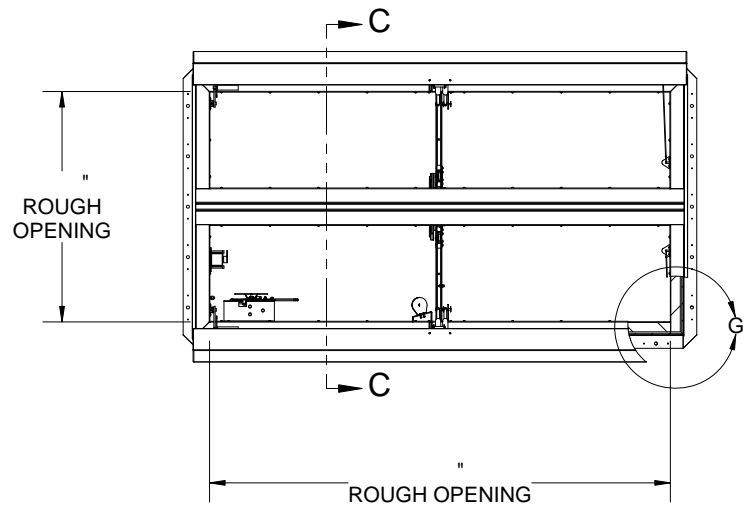


PROJECT:				
ARCHITECT:				
CONTRACTOR:				
QTY:				
PART#:				
 9300 73rd Avenue North Brooklyn Park, MN 55428		TITLE: Smoke Vent, Acoustical STC48, Galv Steel, Black Pwd, Wht Pwd Cvr Ext, Dbl Wall Curb		
NAME	DATE	SIZE	DWG. NO.	REV
DRAWN ELW	4/15/14	A		A
RELEASED ELW	4/15/14		WEIGHT: VARIES	SHEET 1 OF 2

PROPRIETARY AND CONFIDENTIAL: THE INFORMATION CONTAINED IN THIS DRAWING IS THE SOLE PROPERTY OF BABCOCK-DAVIS. ANY REPRODUCTION IN PART OR AS A WHOLE WITHOUT THE WRITTEN PERMISSION OF BABCOCK-DAVIS IS PROHIBITED.

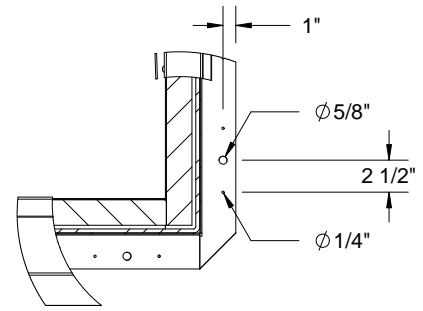
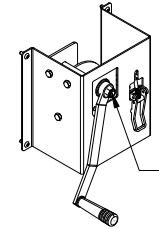
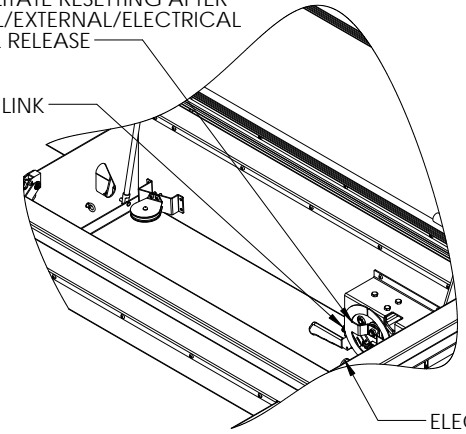
B

B



UPPER WINCH ASSEMBLY  
TO FACILITATE RESETTING AFTER  
THERMAL/EXTERNAL/ELECTRICAL  
MANUAL RELEASE

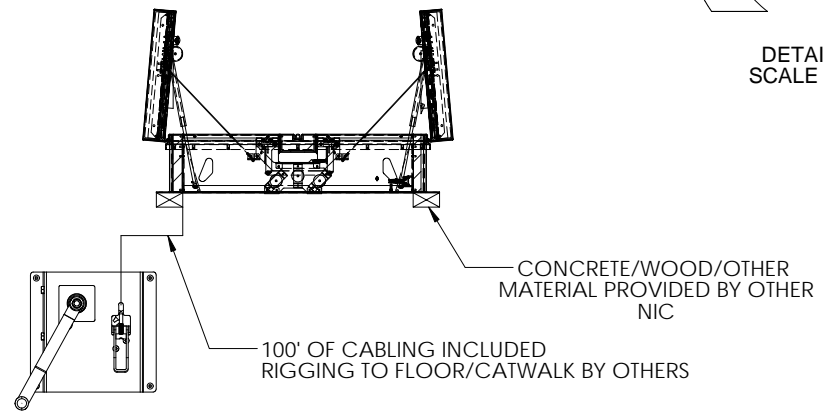
FUSIBLE LINK



DETAIL G  
SCALE 1 : 15

A

A



**SECTION C-C**

				TITLE: Smoke Vent, Acoustical STC48,	
9300 73rd Avenue North Brooklyn Park, MN 55428				Galv Steel, Black Pwd, Wht Pwd Cvr Ext, Dbl Wall Curb	
	NAME	DATE	SIZE	DWG. NO.	REV
DRAWN	ELW	4/15/14	A		A
RELEASED	ELW	4/15/14	WEIGHT: VARIES		SHEET 2 OF 2

PROPRIETARY AND CONFIDENTIAL: THE INFORMATION CONTAINED IN THIS DRAWING IS THE SOLE PROPERTY OF BABCOCK-DAVIS. ANY REPRODUCTION IN PART OR AS A WHOLE WITHOUT THE WRITTEN PERMISSION OF BABCOCK-DAVIS IS PROHIBITED.