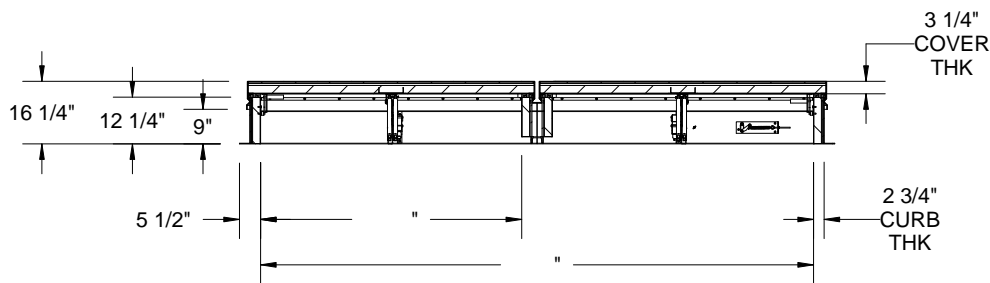
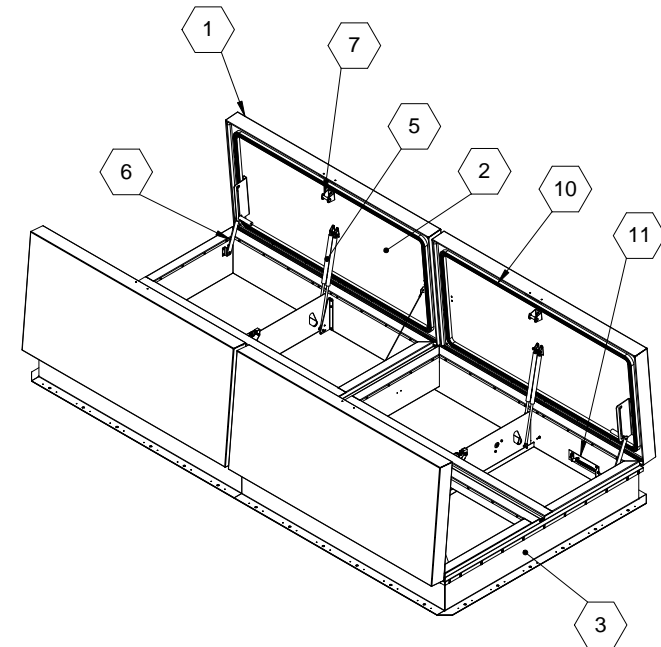


SECTION B-B



SECTION A-A



**SPECIFICATIONS:**

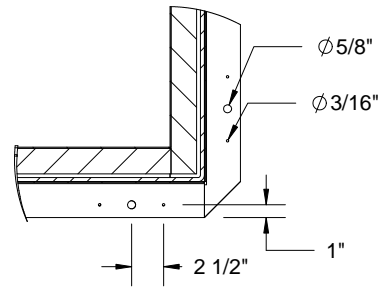
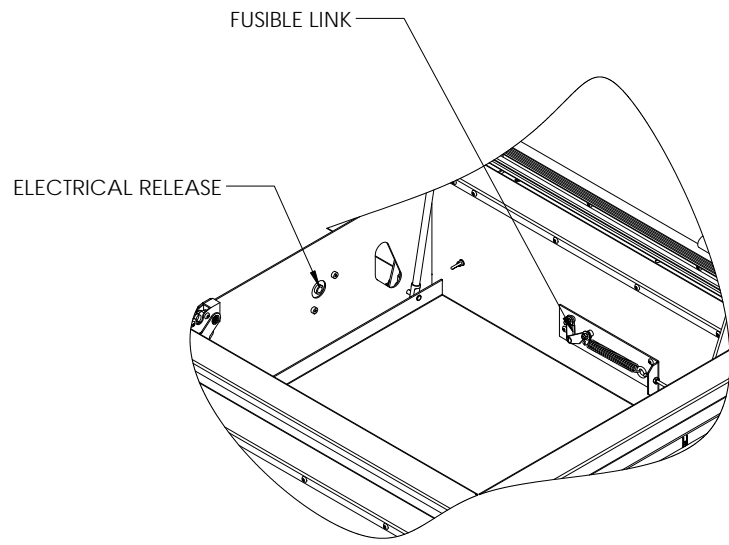
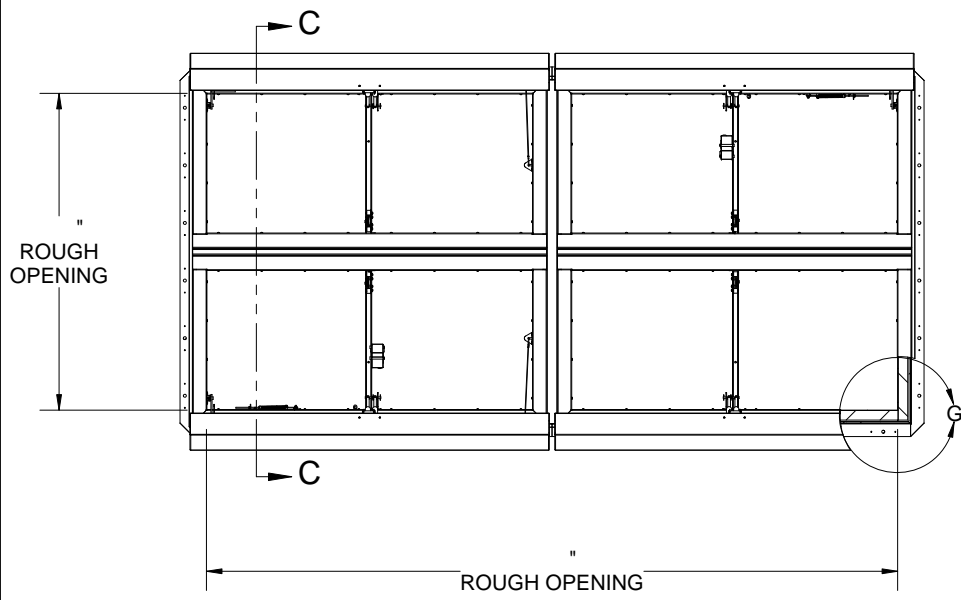
- ① **COVER:** 14 GAUGE GALVANNEAL COVER STIFFENED TO WITHSTAND A LIVE LOAD OF 40 PSF WITH A MAX DEFLECTION OF 1/150 OF THE SPAN
- ② **LINER:** 14 GAUGE GALVANNEAL
- ③ **CURB AND COUNTERFLASH W/ EZ TAB:** DBL WALL CURB, 14 GAUGE GALVANNEAL
- ④ **FINISH:** COVER - POWDER COAT, HIGH REFLECT WHITE EXTERIOR, BLACK INTERIOR  
CURB - POWDER COAT, BLACK
- ⑤ **GAS SPRING WITH DAMPER:** DESIGNED TO OPEN AGAINST A 10PSF SNOW LOAD IN NOT LESS THAN 2 SECONDS
- ⑥ **HOLD OPEN ARM:** LOCKS COVER IN FULLY OPEN POSITION - ZINC PLATED STEEL
- ⑦ **LATCH:** ZINC PLATED ROTARY LATCH ASSEMBLY DESIGNED TO HOLD COVERS CLOSED AGAINST 90 PSF WIND UPLIFT ZINC PLATED STEEL LATCH STRIKERS ON COVERS
- ⑧ **HINGES:** 304 STAINLESS STEEL BUTT HINGE WITH 1/4" PIN
- ⑨ **INSULATION:** MINERAL WOOL W/ SOUND MAT, R-VALUE 10
- ⑩ **GASKETS:** ADHESIVE BACKED EPDM RUBBER EXTRUSION ON CURB AND COVER
- ⑪ **THERMAL RELEASE MECHANISM:** VENT COVERS OPEN THERMALLY BY HEAT AT FUSIBLE LINK TEMPERATURE 165F °F
- ⑫ **MANUAL OPERATION:** VENT COVERS OPEN WITH INTERNAL AND EXTERNAL MANUAL PULL HANDLES, 1/16" DIA SST CABLE, CLOSE VENT AT ROOFTOP
- ⑬ **ELECTRICAL RELEASE:** VENT COVERS OPEN ELECTRICALLY WHEN ENERGIZED WITH 24VAC/VDC
- ⑭ **BURGLAR BARS:** NONE
- ⑮ **SOUND RATING:** STC48 PER ASTM E90, OITC 36 PER ASTM E1332

**SMOKE VENT SIZE** "(WIDTH) x "(LENGTH)  
**EFFECTIVE VENTING AREA 80%**

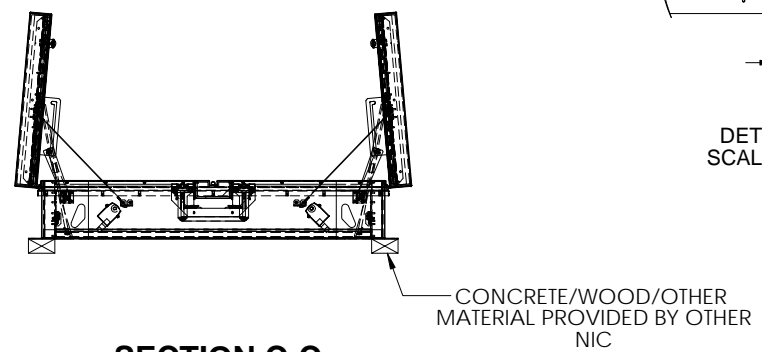


PROJECT:					
ARCHITECT:					
CONTRACTOR:					
QTY:					
PART#:					
9300 73rd Avenue North Brooklyn Park, MN 55428		TITLE: Smoke Vent, Acoustical STC48, Galvn Steel, Black Pwd, Wht Cvr Ext, Dbl Wall Curb			
		NAME	DATE	SIZE	DWG. NO.
DRAWN	ELW	4/15/14	A		A
RELEASED	ELW	4/15/14	WEIGHT: VARIES		SHEET 1 OF 2

PROPRIETARY AND CONFIDENTIAL: THE INFORMATION CONTAINED IN THIS DRAWING IS THE SOLE PROPERTY OF BABCOCK-DAVIS. ANY REPRODUCTION IN PART OR AS A WHOLE WITHOUT THE WRITTEN PERMISSION OF BABCOCK-DAVIS IS PROHIBITED.



DETAIL G  
SCALE 1 : 15



SECTION C-C

			TITLE: Smoke Vent, Acoustical STC48, Galvn Steel, Black Pwd, Wht Cvr Ext, Dbl Wall Curb		
9300 73rd Avenue North Brooklyn Park, MN 55428					
	NAME	DATE	SIZE	DWG. NO.	REV
DRAWN	ELW	4/15/14	A		A
RELEASED	ELW	4/15/14	WEIGHT: VARIES		SHEET 2 OF 2

PROPRIETARY AND CONFIDENTIAL: THE INFORMATION CONTAINED IN THIS DRAWING IS THE SOLE PROPERTY OF BABCOCK-DAVIS. ANY REPRODUCTION IN PART OR AS A WHOLE WITHOUT THE WRITTEN PERMISSION OF BABCOCK-DAVIS IS PROHIBITED.