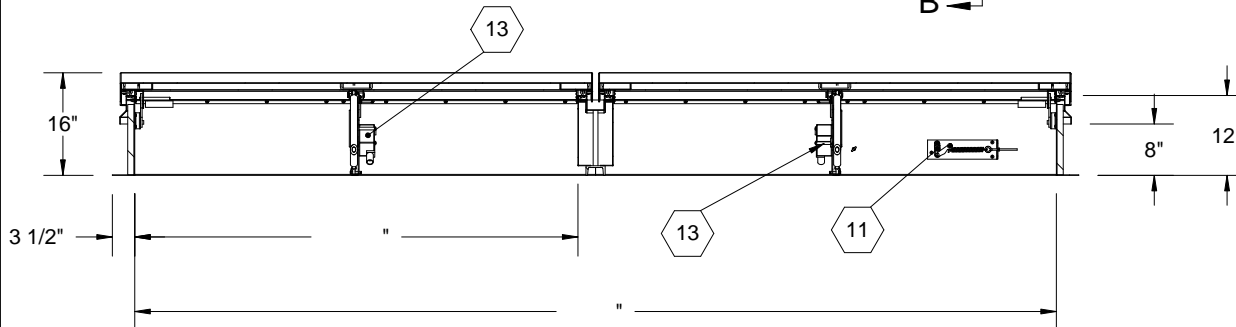
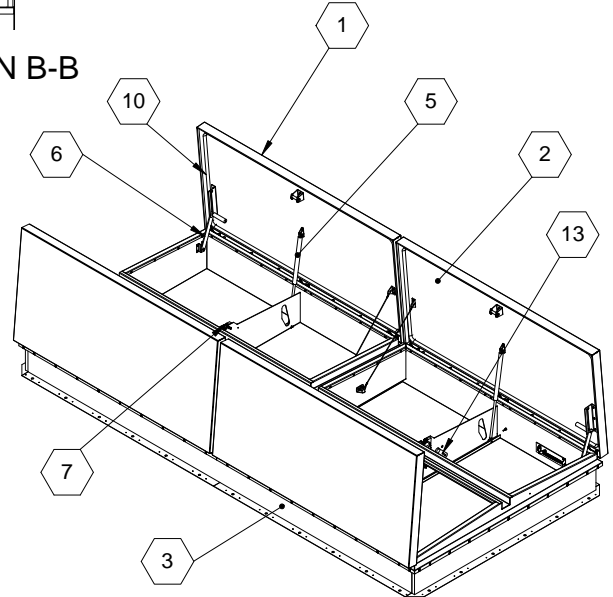


SECTION B-B



SECTION A-A



SPECIFICATIONS:

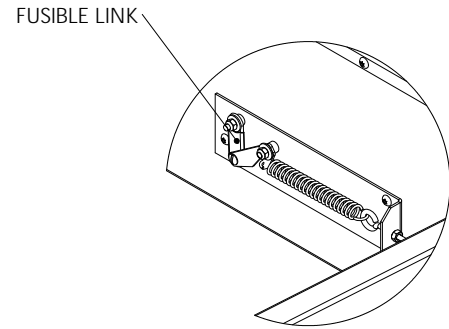
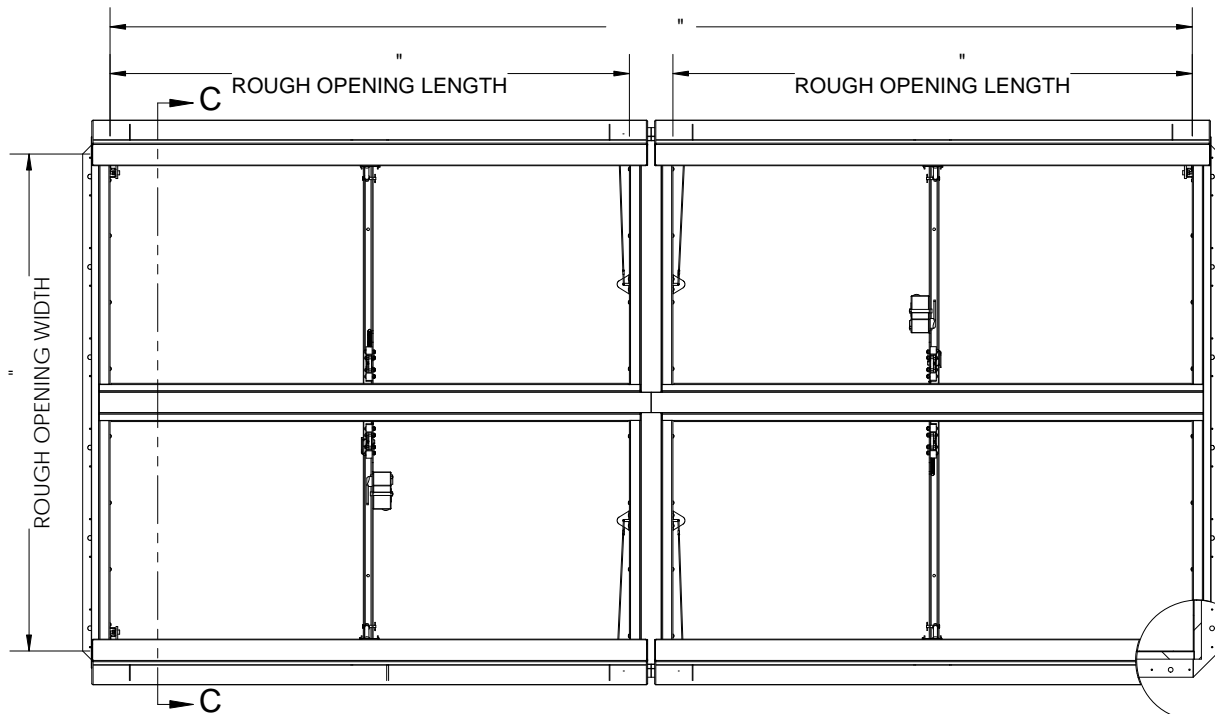
- ① COVER: 14 GAUGE GALVANNEAL COVER STIFFENED TO WITHSTAND A LIVE LOAD OF 40 PSF WITH A MAX DEFLECTION OF A 1/150 OF THE SPAN
- ② LINER: 22 GAUGE GALVANNEAL
- ③ CURB AND COUNTERFLASH W/ EZ TAB: 14 GAUGE GALVANNEAL
- ④ FINISH: COVER - POWDER COAT PAINT, HIGH REFLECTANCE WHITE  
CURB - POWDER COAT PAINT, HIGH REFLECTANCE WHITE
- ⑤ GAS SPRING WITH DAMPER: DESIGNED TO OPEN AGAINST A 10PSF SNOW LOAD IN NOT LESS THAN 2 SECONDS
- ⑥ HOLD OPEN ARM: LOCK COVER IN FULLY OPEN POSITION - ZINC PLATED STEEL
- ⑦ LATCH: ZINC PLATED ROTARY LATCH ASSEMBLY DESIGNED TO HOLD COVERS CLOSED AGAINST 90 PSF PSF WIND UPLIFT ZINC PLATED STEEL LATCH STRIKERS ON COVERS
- ⑧ HINGES: ZINC PLATED STEEL WITH STAINLESS STEEL HINGE PINS
- ⑨ INSULATION: 1" POLYISOCYANURATE IN COVER AND AROUND CURBING PERIMETER, R-VALUE 6
- ⑩ GASKET: ADHESIVE BACKED EPDM RUBBER EXTRUSION
- ⑪ THERMAL RELEASE MECHANISM: VENT COVERS OPEN THERMALLY BY HEAT AT FUSIBLE LINK TEMPERATURE °F
- ⑫ MANUAL OPENING: VENT COVERS OPEN WITH INTERNAL AND EXTERNAL MANUAL PULL HANDLE, 1/16" DIA SST CABLE
- ⑬ ELECTRICAL RELEASE: VENT COVERS OPEN ELECTRICALLY WHEN ENERGIZED WITH
- ⑭ BURGLAR BARS: NONE

SMOKE VENT SIZE    "(WIDTH) x    "(LENGTH)

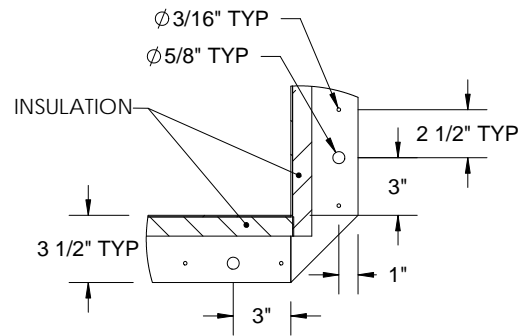
EFFECTIVE VENTING AREA 80%    SQFT

PROPRIETARY AND CONFIDENTIAL: THE INFORMATION CONTAINED IN THIS DRAWING IS THE SOLE PROPERTY OF BABCOCK-DAVIS. ANY REPRODUCTION IN PART OR AS A WHOLE WITHOUT THE WRITTEN PERMISSION OF BABCOCK-DAVIS IS PROHIBITED.

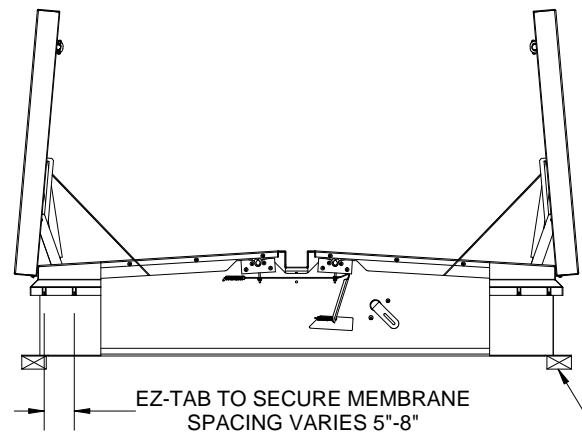
PROJECT:				
ARCHITECT:				
CONTRACTOR:				
QTY:				
PART#:		BSVSW X Q1 R		
 9300 73rd Avenue North Brooklyn Park, MN 55428		TITLE:		
		Smoke Vent, SmokEscape Series Galvanneal, Quad Door, Single Wall Curb, Electrical		
NAME	DATE	SIZE	DWG. NO.	REV
DRAWN	SGS	11/23/11	A	BSVSW_X_Q1_R
RELEASED	IMT	11/23/11	WEIGHT: VARIES LBS	SHEET 1 OF 2



SPACING  
VARIES  
8-15"



**DETAIL D**



**SECTION C-C**

CONCRETE/WOOD/OTHER  
MATERIAL PROVIDED BY OTHER  
NIC

**SMOKE VENT COVER OPENS WHEN ACTIVATED BY:**

**A. THERMAL RELEASE MECHANISM:** RELEASED BY HEAT WITH A UL LISTED FUSIBLE LINK AT TEMPERATURE °F

**OPTIONS:** 165 °F, 212 °F, 280 °F, 350 °F, 360 °F, 370 °F, 386 °F, 450 °F

**B. MANUAL OPENING:** RELEASED BY EXTERNAL AND INTERNAL PULL CABLES WITH HANDLES AND 5FT OF INTERNAL CABLE PROVIDED

**C. ELECTRICAL RELEASE:** RELEASED BY A 2.5 WATT UL LISTED ROTARY ACTUATOR WHEN ENERGIZED TO

**SMOKE VENT COVER CLOSED MANUALLY FROM ROOFTOP**

			TITLE:		
9300 73rd Avenue North Brooklyn Park, MN 55428			Smoke Vent, SmokEscape Series Galvanneal, Quad Door, Single Wall Curb, Electrical		
NAME	DATE	SIZE	DWG. NO.	REV	
SGS	11/23/11	A	BSVSW_X_Q1_ _R	-	
RELEASED	IMT	11/23/11	WEIGHT: VARIES LBS		SHEET 2 OF 2

PROPRIETARY AND CONFIDENTIAL: THE INFORMATION CONTAINED IN THIS DRAWING IS THE SOLE PROPERTY OF BABCOCK-DAVIS. ANY REPRODUCTION IN PART OR AS A WHOLE WITHOUT THE WRITTEN PERMISSION OF BABCOCK-DAVIS IS PROHIBITED.