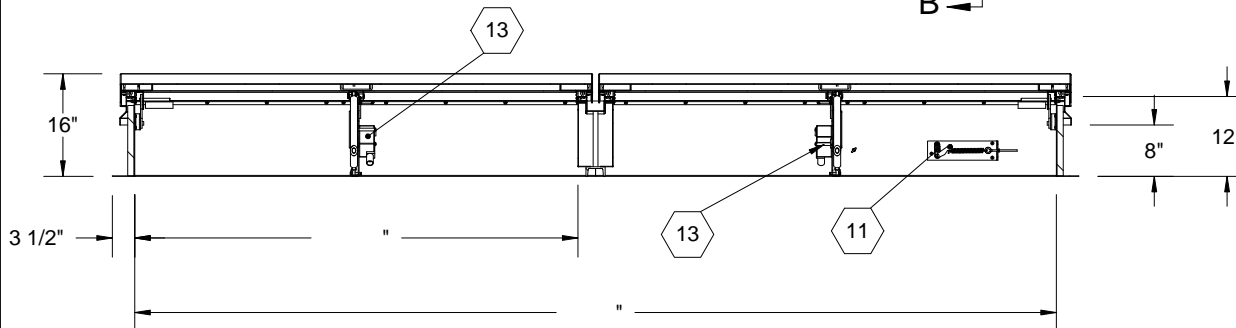
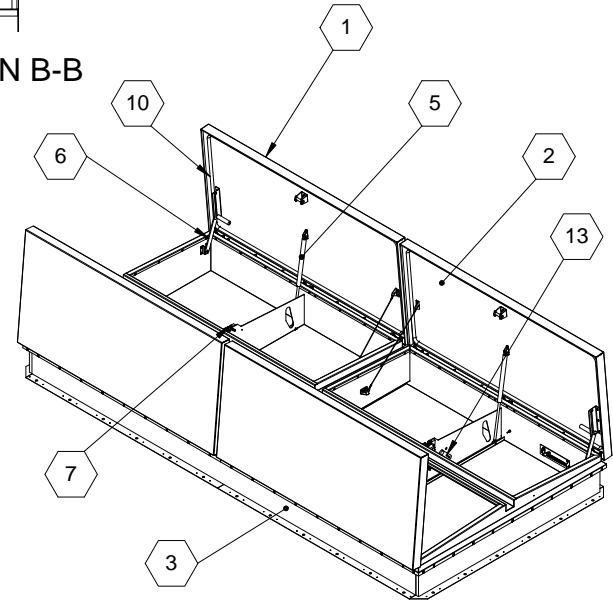


SECTION B-B



SECTION A-A



SPECIFICATIONS:

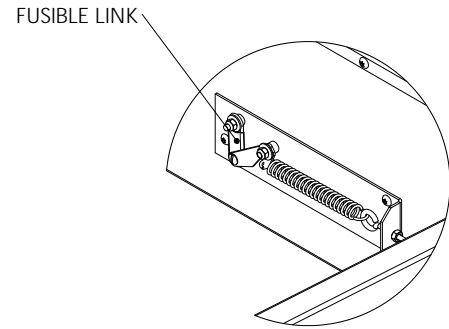
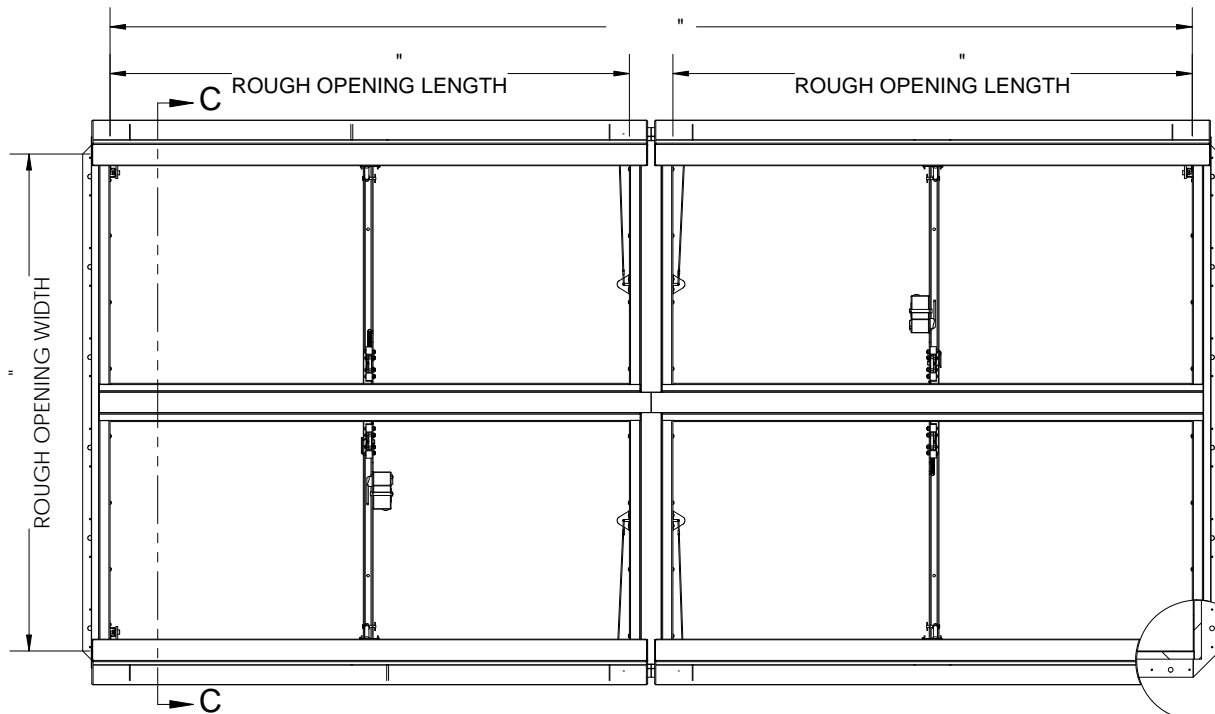
- ① **COVER:** 11 GAUGE ALUMINUM COVER STIFFENED TO WITHSTAND A LIVE LOAD OF 40 PSF WITH A MAX DEFLECTION OF 1/150 OF THE SPAN
- ② **LINER:** 18 GAUGE ALUMINUM
- ③ **CURB AND COUNTERFLASH W/ EZ TAB:** 14 GAUGE GALVANNEAL
- ④ **FINISH:** COVER - MILL
CURB - POWDER COAT PAINT, HIGH REFLECTANCE WHITE
- ⑤ **GAS SPRING WITH DAMPER:** DESIGNED TO OPEN AGAINST A 10PSF SNOW LOAD IN NOT LESS THAN 2 SECONDS
- ⑥ **HOLD OPEN ARM:** LOCK COVER IN FULLY OPEN POSITION - ZINC PLATED STEEL
- ⑦ **LATCH:** ZINC PLATED ROTARY LATCH ASSEMBLY DESIGNED TO HOLD COVERS CLOSED AGAINST 90 PSF PSF WIND UPLIFT ZINC PLATED STEEL LATCH STRIKERS ON COVERS
- ⑧ **HINGES:** ZINC PLATED STEEL WITH STAINLESS STEEL HINGE PINS
- ⑨ **INSULATION:** 1" POLYISOCYANURATE IN COVER AND AROUND CURBING PERIMETER, R-VALUE 6
- ⑩ **GASKET:** ADHESIVE BACKED EPDM RUBBER EXTRUSION
- ⑪ **THERMAL RELEASE MECHANISM:** VENT COVERS OPEN THERMALLY BY HEAT AT FUSIBLE LINK TEMPERATURE °F
- ⑫ **MANUAL OPENING:** VENT COVERS OPEN WITH INTERNAL AND EXTERNAL MANUAL PULL HANDLE, 1/16" DIA SST CABLE
- ⑬ **ELECTRICAL RELEASE:** VENT COVERS OPEN ELECTRICALLY WHEN ENERGIZED WITH
- ⑭ **BURGLAR BARS:** NONE

SMOKE VENT SIZE "(WIDTH) x "(LENGTH)

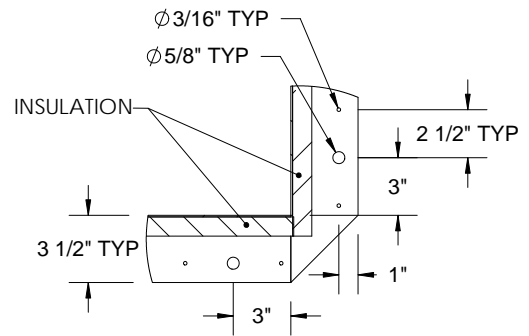
EFFECTIVE VENTING AREA 80% SQFT

PROPRIETARY AND CONFIDENTIAL: THE INFORMATION CONTAINED IN THIS DRAWING IS THE SOLE PROPERTY OF BABCOCK-DAVIS. ANY REPRODUCTION IN PART OR AS A WHOLE WITHOUT THE WRITTEN PERMISSION OF BABCOCK-DAVIS IS PROHIBITED.

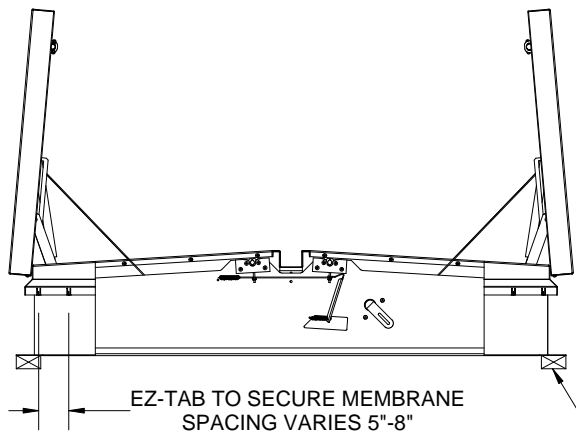
| | | | |
|---|----------|---|--------------------|
| PROJECT: | | | |
| ARCHITECT: | | | |
| CONTRACTOR: | | | |
| QTY: | | | |
| PART#: | | BSVSB X Q1 R | |
| | | TITLE: | |
| 9300 73rd Avenue North Brooklyn Park, MN 55428 | | Smoke Vent, SmokEscape Series Galvanneal, Quad Door, Single Wall Curb, Electrical | |
| NAME | DATE | SIZE | DWG. NO. |
| SGS | 11/23/11 | A | BSVSB_X_Q1__R |
| RELEASED | IMT | 11/23/11 | WEIGHT: VARIES LBS |
| | | | REV |
| | | | - |
| | | | SHEET 1 OF 2 |



SPACING VARIES 8-15"



DETAIL D



SECTION C-C

CONCRETE/WOOD/OTHER MATERIAL PROVIDED BY OTHER NIC

SMOKE VENT COVER OPENS WHEN ACTIVATED BY:

A. THERMAL RELEASE MECHANISM: RELEASED BY HEAT WITH A UL LISTED FUSIBLE LINK AT TEMPERATURE °F

OPTIONS: 165 °F, 212 °F, 280 °F, 350 °F, 360 °F, 370 °F, 386 °F, 450 °F

B. MANUAL OPENING: RELEASED BY EXTERNAL AND INTERNAL PULL CABLES WITH HANDLES AND 5FT OF INTERNAL CABLE PROVIDED

C. ELECTRICAL RELEASE: RELEASED BY A 2.5 WATT UL LISTED ROTARY ACTUATOR WHEN ENERGIZED TO

SMOKE VENT COVER CLOSED MANUALLY FROM ROOFTOP

| | | | | | |
|---|----------|----------|---|-----|--------------|
| | | | TITLE: | | |
| 9300 73rd Avenue North Brooklyn Park, MN 55428 | | | Smoke Vent, SmokEscape Series Galvanneal, Quad Door, Single Wall Curb, Electrical | | |
| NAME | DATE | SIZE | DWG. NO. | REV | |
| SGS | 11/23/11 | A | BSVSB_X_Q1__R | - | |
| RELEASED | IMT | 11/23/11 | WEIGHT: VARIES LBS | | SHEET 2 OF 2 |

PROPRIETARY AND CONFIDENTIAL: THE INFORMATION CONTAINED IN THIS DRAWING IS THE SOLE PROPERTY OF BABCOCK-DAVIS. ANY REPRODUCTION IN PART OR AS A WHOLE WITHOUT THE WRITTEN PERMISSION OF BABCOCK-DAVIS IS PROHIBITED.