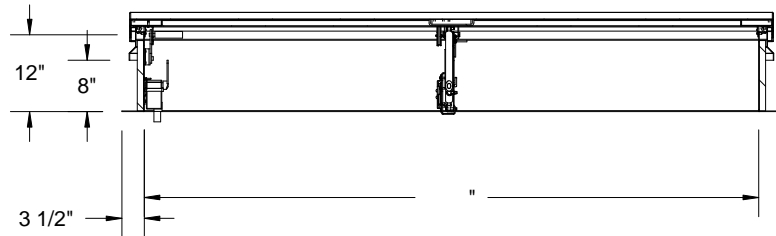
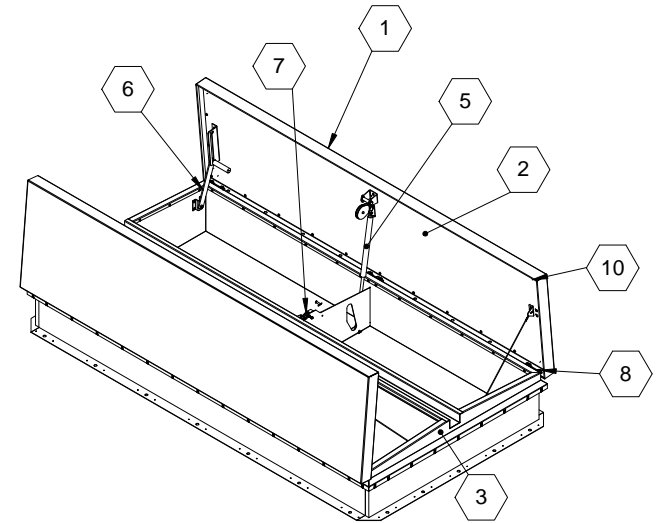
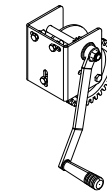


SECTION B-B



SECTION A-A



LOWER WINCH

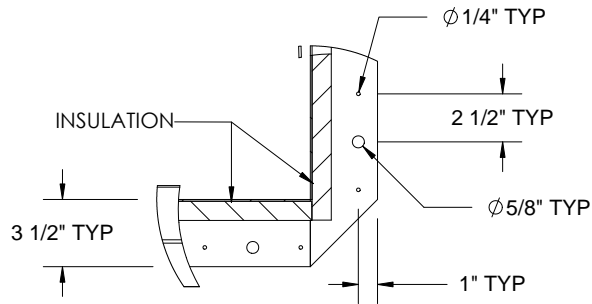
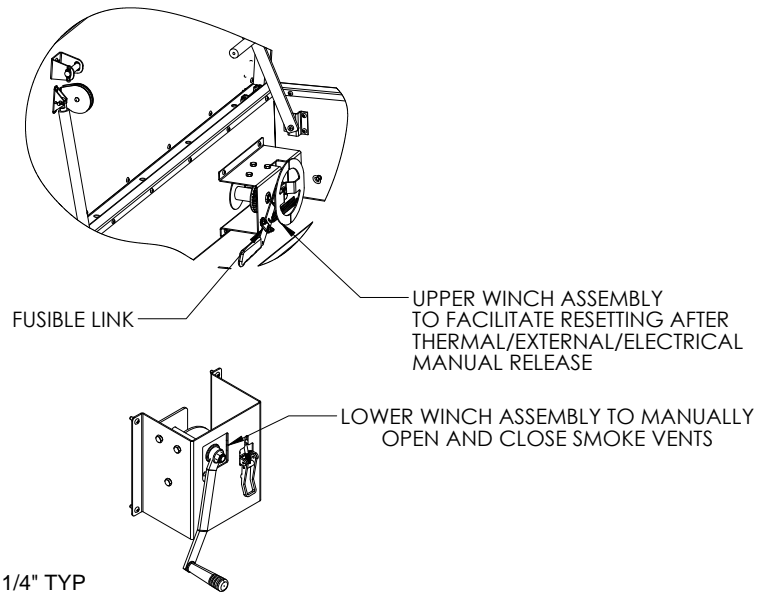
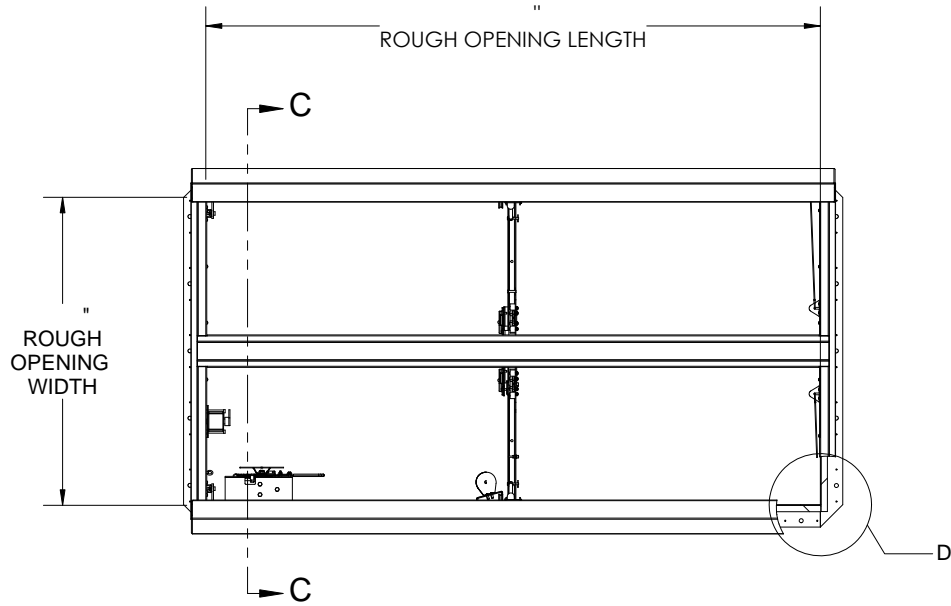
SPECIFICATIONS:

- ① COVER: 11 GAUGE ALUMINUM COVER STIFFENED TO WITHSTAND A LIVE LOAD OF 40 PSF WITH A MAX DEFLECTION OF 1/150 OF THE SPAN
- ② LINER: 18 GAUGE ALUMINUM
- ③ CURB AND COUNTERFLASH W/ EZ TAB:  
11 GAUGE ALUMINUM  
4 FINISH: COVER - Mill  
CURB - Mill
- ④ GAS SPRING WITH DAMPER: DESIGNED TO OPEN AGAINST A 10PSF SNOW LOAD IN NOT LESS THAN 2 SECONDS
- ⑤ HOLD OPEN ARM: LOCK COVER IN FULLY OPEN POSITION - ZINC PLATED STEEL
- ⑥ LATCH: ZINC PLATED ROTARY LATCH ASSEMBLY DESIGNED TO HOLD COVERS CLOSED AGAINST 90 PSF PSF WIND UPLIFT ZINC PLATED STEEL LATCH STRIKERS ON COVERS
- ⑦ HINGES: ZINC PLATED STEEL WITH STAINLESS STEEL HINGE PINS
- ⑧ INSULATION: 1" Polyiso curb (R5.6), 1" Polyiso cover (R5.6)
- ⑨ GASKET: ADHESIVE BACKED EPDM RUBBER EXTRUSION
- ⑩ THERMAL RELEASE MECHANISM: VENT COVERS OPEN THERMALLY BY HEAT AT FUSIBLE LINK TEMPERATURE 165F°F
- ⑪ MANUAL OPERATION:  
VENT COVERS OPEN WITH EXTERNAL MANUAL PULL HANDLE, 1/16" DIA SST CABLE AND VENT COVERS OPEN AND CLOSE WITH MANUAL WINCH, 100FT 1/8" DIA CABLE
- ⑫ ELECTRICAL RELEASE:  
VENT COVERS OPEN ELECTRICALLY WHEN ENERGIZED WITH 24VAC/VDC, REQUIRES RESET AT ROOF LEVEL
- ⑬ BURGLAR BARS: None

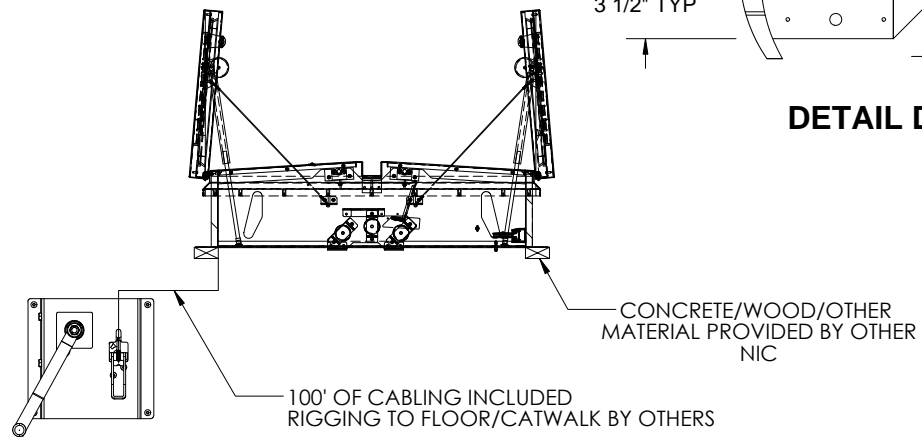
SMOKE VENT SIZE "(WIDTH) x "(LENGTH)  
EFFECTIVE VENTING AREA 80%



PROJECT:			
ARCHITECT:			
CONTRACTOR:			
QTY:			
PART#:			
 9300 73rd Avenue North Brooklyn Park, MN 55428		TITLE: Smoke Vent, SafeMAX, Alum, Mill,	
NAME	DATE	SIZE	DWG. NO.
ELW	4/15/14	A	
RELEASED	ELW	4/15/14	WEIGHT: VARIES



DETAIL D



SECTION C-C

				TITLE: Smoke Vent, SafeMAX, Alum, Mill,	
9300 73rd Avenue North Brooklyn Park, MN 55428					
	NAME	DATE	SIZE	DWG. NO.	REV
DRAWN	ELW	4/15/14	A		A
RELEASED	ELW	4/15/14	WEIGHT: VARIES		SHEET 2 OF 2