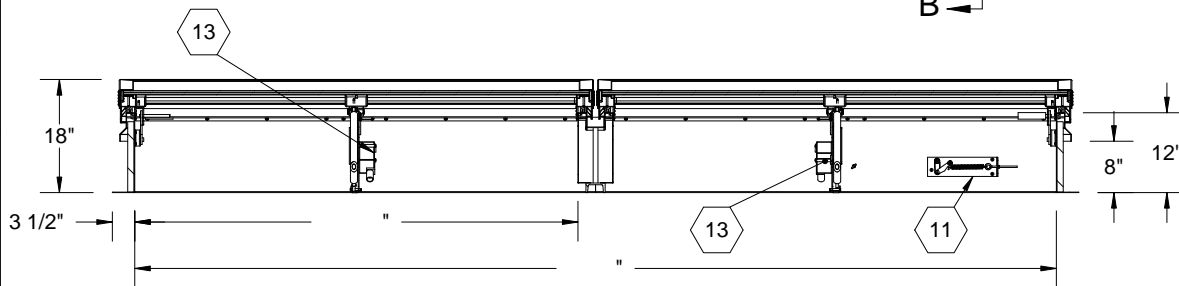
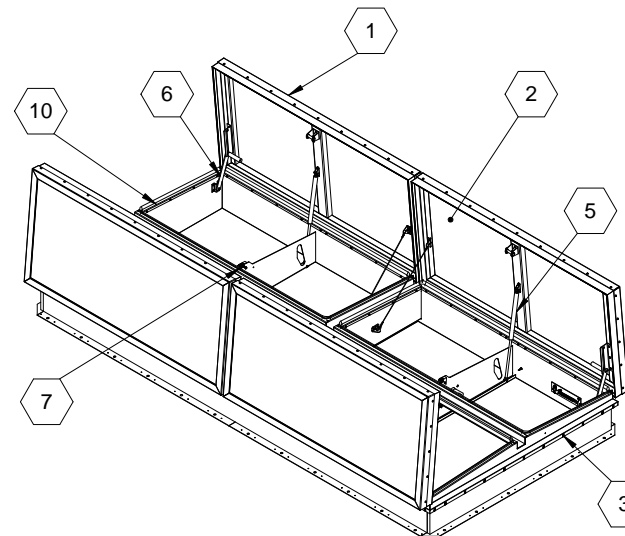


SECTION B-B



SECTION A-A



SPECIFICATIONS:

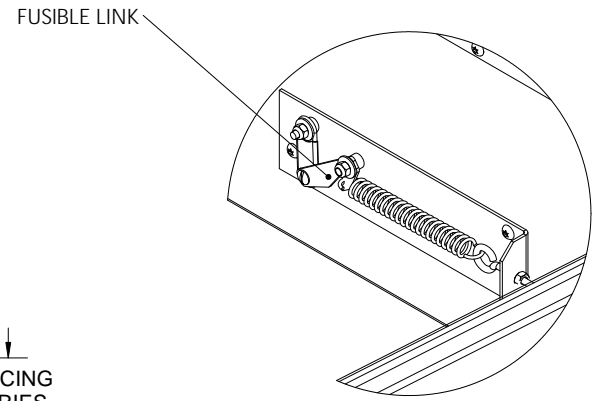
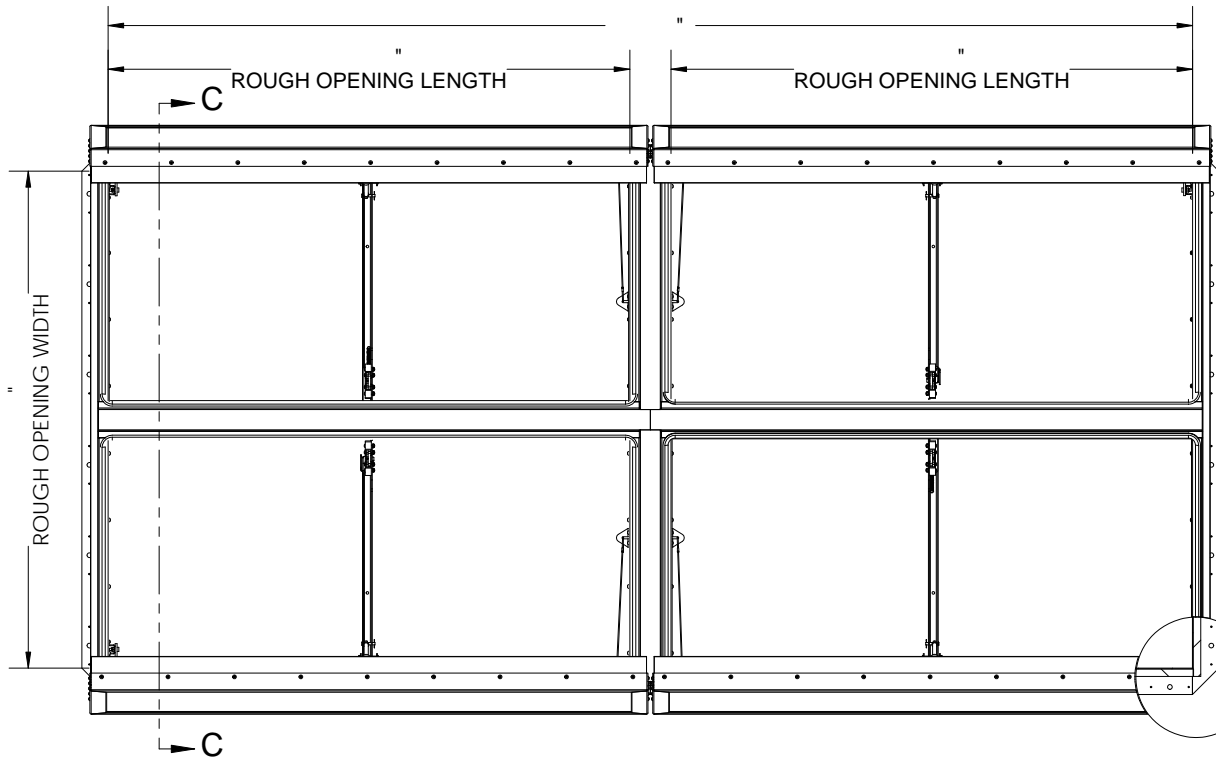
- ① **COVER:** 11 GAUGE ALUMINUM COVER STIFFENED TO WITHSTAND A LIVE LOAD OF 40 PSF WITH A MAX DEFLECTION OF 1/150 OF THE SPAN
- ② **TRANSLUCENT MATERIAL:** Multiwall, White
- ③ **CURB AND COUNTERFLASH W/ EZ TAB:** 14 GAUGE GALVANNEAL
- ④ **FINISH:** COVER - Mill
CURB - POWDER COAT PAINT, HIGH REFLECTANCE WHITE
- ⑤ **GAS SPRING WITH DAMPER:** DESIGNED TO OPEN AGAINST A 10PSF SNOW LOAD IN NOT LESS THAN 2 SECONDS
- ⑥ **HOLD OPEN ARM:** LOCK COVER IN FULLY OPEN POSITION - ZINC PLATED STEEL
- ⑦ **LATCH:** ZINC PLATED ROTARY LATCH ASSEMBLY DESIGNED TO HOLD COVERS CLOSED AGAINST 90 PSF PSF WIND UPLIFT ZINC PLATED STEEL LATCH STRIKERS ON COVERS
- ⑧ **HINGES:** ZINC PLATED STEEL WITH STAINLESS STEEL HINGE PINS
- ⑨ **INSULATION:** 1" POLYIOSYANURATE IN COVER AND AROUND CURBING PERIMETER, R-VALUE 6
- ⑩ **GASKET:** ADHESIVE BACKED EPDM RUBBER EXTRUSION
- ⑪ **THERMAL RELEASE MECHANISM:** VENT COVERS OPEN THERMALLY BY HEAT AT FUSIBLE LINK TEMPERATURE °F
- ⑫ **MANUAL OPENING:** VENT COVERS OPEN WITH INTERNAL AND EXTERNAL MANUAL PULL HANDLE, 1/16" DIA SST CABLE
- ⑬ **ELECTRICAL RELEASE:** VENT COVERS OPEN ELECTRICALLY WHEN ENERGIZED WITH
- ⑭ **BURGLAR BARS:** None

SMOKE VENT SIZE "(WIDTH) x "(LENGTH)

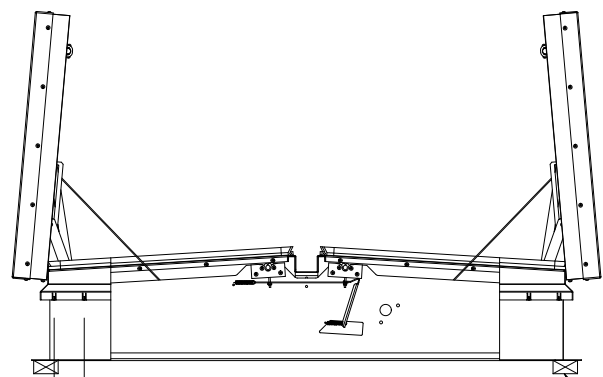
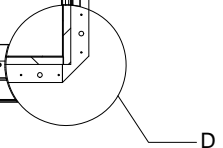
EFFECTIVE VENTING AREA 80% SQFT

PROPRIETARY AND CONFIDENTIAL: THE INFORMATION CONTAINED IN THIS DRAWING IS THE SOLE PROPERTY OF BABCOCK-DAVIS. ANY REPRODUCTION IN PART OR AS A WHOLE WITHOUT THE WRITTEN PERMISSION OF BABCOCK-DAVIS IS PROHIBITED.

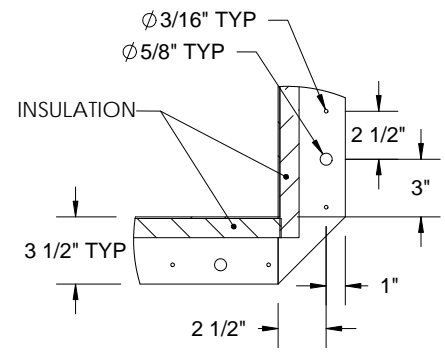
PROJECT:				
ARCHITECT:				
CONTRACTOR:				
QTY:				
PART#:		BSVLB X Q1 R		
 9300 73rd Avenue North Brooklyn Park, MN 55428		TITLE:		
		Smoke Vent, LightMAX Series Aluminum, Quad Door, Single Wall Curb Electrical		
NAME	DATE	SIZE	DWG. NO.	REV
DRAWN	SGS	11/23/11	A	BSVLB_X_Q1__R
RELEASED	IMT	11/23/11	WEIGHT: VARIES	SHEET 1 OF 2



SPACING VARIES 8-15"



E-Z TAB TO SECURE MEMBRANE
SPACING VARIES 5"-8"



DETAIL D

CONCRETE/WOOD/OTHER MATERIAL PROVIDED BY OTHER NIC

SMOKE VENT COVER OPENS WHEN ACTIVATED BY:

- A. THERMAL RELEASE MECHANISM:** RELEASED BY HEAT WITH A UL LISTED FUSIBLE LINK AT TEMPERATURE °F
OPTIONS: 165 °F, 212 °F, 280 °F, 350 °F, 360 °F, 370 °F, 386 °F, 450 °F
- B. MANUAL OPENING:** RELEASED BY EXTERNAL AND INTERNAL PULL CABLES WITH HANDLES AND 5FT OF INTERNAL CABLE PROVIDED
- C. ELECTRICAL RELEASE:** RELEASED BY A 2.5 WATT UL LISTED ROTARY ACTUATOR WHEN ENERGIZED TO

SMOKE VENT COVER CLOSED MANUALLY FROM ROOFTOP

			TITLE:		
			Smoke Vent, LightMAX Series Aluminum, Quad Door, Single Wall Curb Electrical		
9300 73rd Avenue North Brooklyn Park, MN 55428			NAME	DATE	SIZE
DRAWN	SGS	11/23/11	A	DWG. NO.	BSVLA_X_Q1__R
RELEASED	IMT	11/23/11	WEIGHT: VARIES		REV -

PROPRIETARY AND CONFIDENTIAL: THE INFORMATION CONTAINED IN THIS DRAWING IS THE SOLE PROPERTY OF BABCOCK-DAVIS. ANY REPRODUCTION IN PART OR AS A WHOLE WITHOUT THE WRITTEN PERMISSION OF BABCOCK-DAVIS IS PROHIBITED.