

### SECTION A-A

#### SPECIFICATIONS:

- ① **COVER:** ALUMINUM EXTRUSION WITH 11GA ALUM RETAINER TO WITHSTAND A LIVE LOAD OF 40 PSF WITH A MAX DEFLECTION OF 1/150 OF THE SPAN
- ② **TRANSLUCENT MATERIAL:** POLYCARBONATE MULTI-WALL WHITE
- ③ **CURB AND COUNTERFLASH W/ EZ TAB:** 11 GAUGE ALUMINUM
- 4 **FINISH: COVER-** MILL  
**CURB-** MILL
- ⑤ **GAS SPRING WITH DAMPER:** DESIGNED TO OPEN AGAINST A 10PSF SNOW LOAD IN NOT LESS THAN 2 SECONDS
- ⑥ **HOLD OPEN ARM:** LOCK COVER IN FULLY OPEN POSITION - ZINC PLATED STEEL
- ⑦ **LATCH:** ZINC PLATED ROTARY LATCH ASSEMBLY DESIGNED TO HOLD COVERS CLOSED AGAINST 90 PSF WIND UPLIFT ZINC PLATED STEEL LATCH STRIKERS ON COVERS

- ⑧ **HINGES:** ZINC PLATED STEEL WITH STAINLESS STEEL HINGE PINS
- ⑨ **INSULATION:** POLYISOCYANURATE IN COVER AND AROUND CURB PERIMETER, R-VALUE 6
- ⑩ **GASKET:** ADHESIVE BACKED EPDM RUBBER EXTRUSION
- ⑪ **THERMAL RELEASE MECHANISM:** VENT COVERS OPEN THERMALLY BY HEAT AT FUSIBLE LINK TEMPERATURE \*\*\*\*\* ° F
- ⑫ **MANUAL OPENING:** VENT COVERS OPEN WITH INTERNAL AND EXTERNAL MANUAL PULL HANDLE, 1/16" DIA SST CABLE
- ⑬ **ELECTRICAL RELEASE:** VENT COVERS OPEN ELECTRICALLY WHEN ENERGIZED WITH

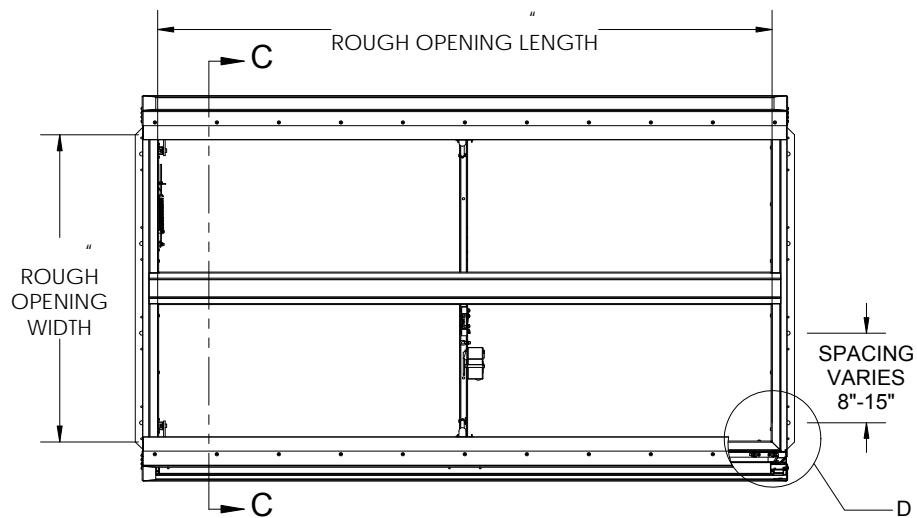
SMOKE VENT SIZE (WIDTH) x (LENGTH)

EFFECTIVE VENTING AREA , 0% \*\*\*\*\*SQFT

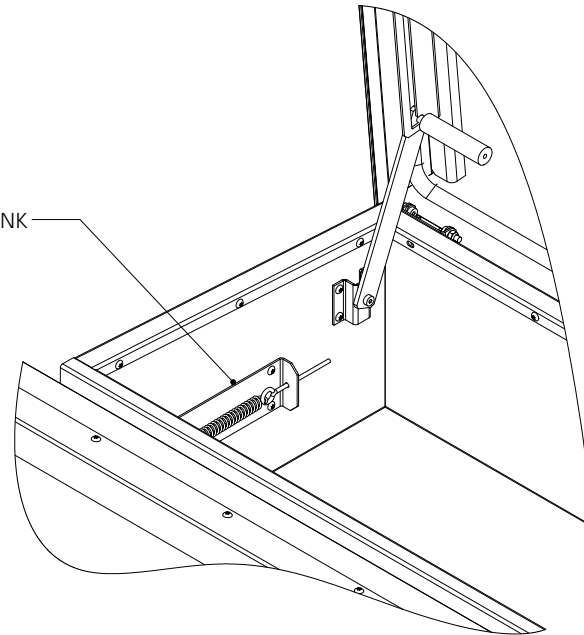


PROJECT:				
ARCHITECT:				
CONTRACTOR:				
QTY:				
PART#:	BSVLA X D1 R			
<b>babcockdavis</b> 9300 73rd Avenue North Brooklyn Park, MN 55428	TITLE: Smoke Vent, LightMAX Series Aluminum, Dbl Dr, Single Wall Curb Electrical			
NAME	DATE	SIZE	DWG. NO.	REV
DRAWN -	05/04/11	A	BSVLA_X_D1__R	-
RELEASED DS	05/04/11	WEIGHT: VARIES	SHEET 1 OF 2	

PROPRIETARY AND CONFIDENTIAL: THE INFORMATION CONTAINED IN THIS DRAWING IS THE SOLE PROPERTY OF BABCOCK-DAVIS. ANY REPRODUCTION IN PART OR AS A WHOLE WITHOUT THE WRITTEN PERMISSION OF BABCOCK-DAVIS IS PROHIBITED.



FUSIBLE LINK



Ø9/32" TYP

Ø5/8" TYP

INSULATION

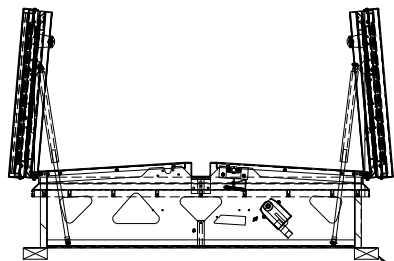
2 1/2" TYP

3"

3 1/2" TYP

1" TYP

**DETAIL D**



**SECTION C-C**

CONCRETE/WOOD/OTHER MATERIAL PROVIDED BY OTHER NIC

**SMOKE VENT COVER OPENS WHEN ACTIVATED BY:**

**A. THERMAL RELEASE MECHANISM:** RELEASED BY HEAT WITH A UL LISTED FUSIBLE LINK AT TEMPERATURE °F

**OPTIONS:** 165 °F, 212 °F, 280 °F, 350 °F, 360 °F, 370 °F, 386 °F, 450 °F

**B. MANUAL OPENING:** RELEASED BY EXTERNAL AND INTERNAL PULL CABLES WITH HANDLES AND 5FT OF INTERNAL CABLE PROVIDED

**C. ELECTRICAL RELEASE:** RELEASED BY A 2.5 WATT UL LISTED ROTARY ACTUATOR WHEN ENERGIZED TO VOLTS.

**SMOKE VENT COVER CLOSED MANUALLY FROM ROOFTOP**



9300 73rd Avenue North  
Brooklyn Park, MN 55428

TITLE: Smoke Vent, LightMAX Series  
Aluminum, Dbl Dr, Single Wall Curb  
Electrical

	NAME	DATE	SIZE	DWG. NO.	REV
DRAWN	-	05/04/11	A	BSVLA_X_D1__R	-
RELEASED	DS	05/04/11	WEIGHT: VARIES		SHEET 2 OF 2