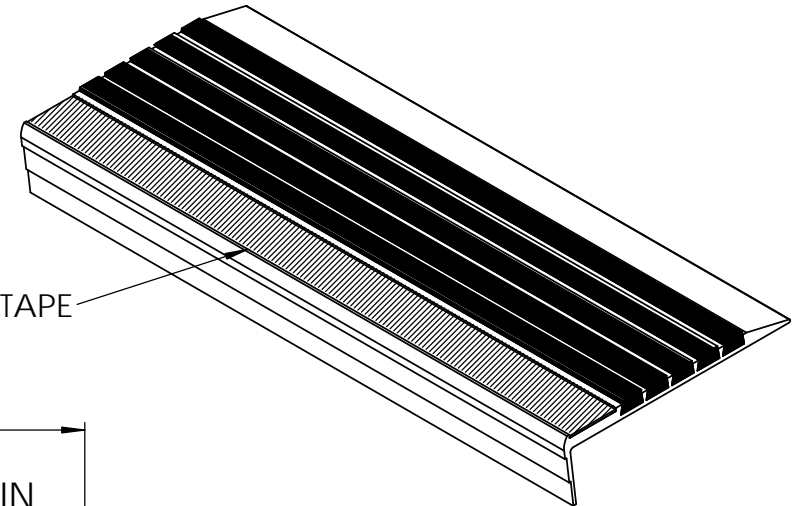
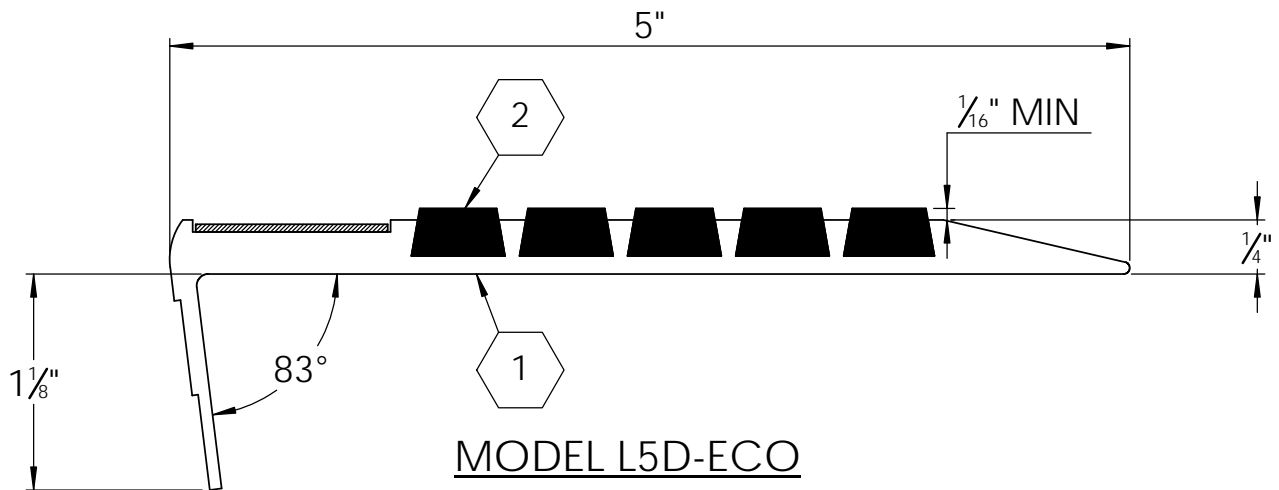


B

B



PHOTOLUMINESCENT TAPE



MODEL L5D-ECO

(RENOVATION ECO-TREAD RIBS)

SPECIFICATIONS:

- ① **BASE:** EXTRUDED ALUMINUM ALLOY 6063 T-5
- ② **ECOTREAD:** RECYCLED RUBBER SHEET
8MM RECYCLED RUBBER GRANULES
ENCAPSULATED IN A WEAR AND WATER
RESISTANT ELASTOMERIC NETWORK. 2 PARTS
- 3. **BASE FINISH:** MILL
- 4. **POURED CONCRETE STAIRS:** NOSING SHALL
TERMINATE NO MORE THEN 3" FROM END OF
STEPS
- 5. **CONCRETE FILLED STEEL PAN STAIRS:** NOSING
SHALL BE FULL LENGTH OF STEPS, LESS 1/8"
CLEARANCE
- 6. **COLOR:** BLACK (STANDARD), SAFETY YELLOW
- 7. **LENGTH:** 12'0" MAXIMUM
- 8. **COUNTER SUNK HOLES** PRE-DRILLED FOR A #10
FASTENER SPACED 3" FROM ENDS AND
APPROXIMATELY 12" TO 15" O.C.
- 9. **UL 1994 LISTED:** COMBINED WIDTH OF PHOTO-
LUMINESCENT MATERIAL SHALL NOT BE LESS
THAN 1"

LENGTH	QTY	COLOR

A

A

PROJECT:			
ARCHITECT:			
CONTRACTOR:			
QTY:			
PART#:		BSTRM-A5D-ECO	
 9300 73rd Avenue North Brooklyn Park, MN 55428		TITLE: Stair Tread, Renovation Alum. Bar Ribbed EcoTread Long Nose Angled, Drilled For Fastener 1" Photoluminescent Insert, Black EcoTread Ribs	
	NAME	DATE	SIZE
DRAWN	DKL	6/30/20	A
RELEASED	TR	6/30/20	
DWG. NO.		REV	
Babcock STN BSTRM-A5D-ECO ShpDr		A	
WEIGHT: 2 LB			SHEET 1 OF 1

PROPRIETARY AND CONFIDENTIAL: THE INFORMATION CONTAINED IN THIS DRAWING IS THE SOLE PROPERTY OF BABCOCK-DAVIS. ANY REPRODUCTION IN PART OR AS A WHOLE WITHOUT THE WRITTEN PERMISSION OF BABCOCK-DAVIS IS PROHIBITED.