

SECTION A-A

SECTION B-B

ROUGH OPENING: " X " "
 CLEAR OPENING: " X " "
 DEGREE OF OPENING: ° X " "

VERTICAL
 1-1/2 HOUR "B" LABEL



NOTES:

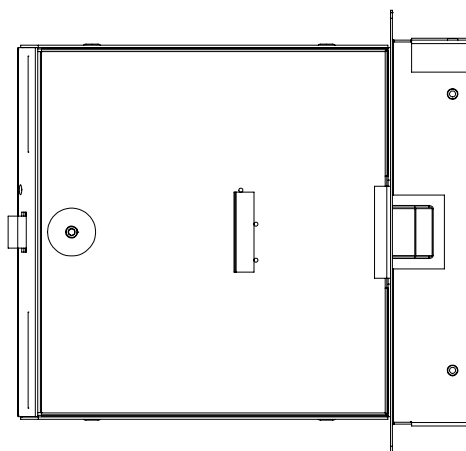
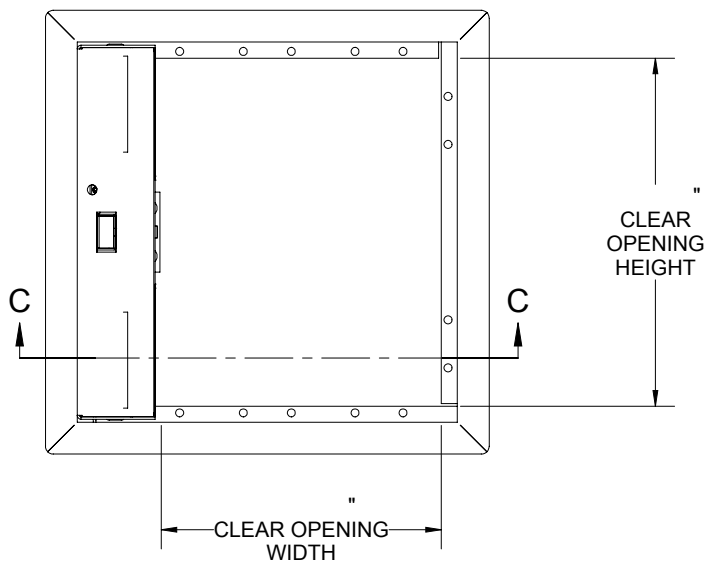
- ① FRAME:
- ② DOOR:
- ③ FINISH:
- ④ HINGE:
- ⑤ SECONDARY LATCH:
- ⑥ LOCK: Mortise Prep
- ⑦ INSULATION: 2" Thick Fire Rated Mineral Wool, 8 R-Value

PROPRIETARY AND CONFIDENTIAL: THE INFORMATION CONTAINED IN THIS DRAWING IS THE SOLE PROPERTY OF BABCOCK-DAVIS. ANY REPRODUCTION IN PART OR AS A WHOLE WITHOUT THE WRITTEN PERMISSION OF BABCOCK-DAVIS IS PROHIBITED.

PROJECT:			
ARCHITECT:			
CONTRACTOR:			
QTY:			
PART#:			
 9300 73rd Avenue North Brooklyn Park, MN 55428		TITLE:	
NAME	DATE	SIZE	DWG. NO.
RELEASED		A	
			REV -
			SHEET 1 OF 2

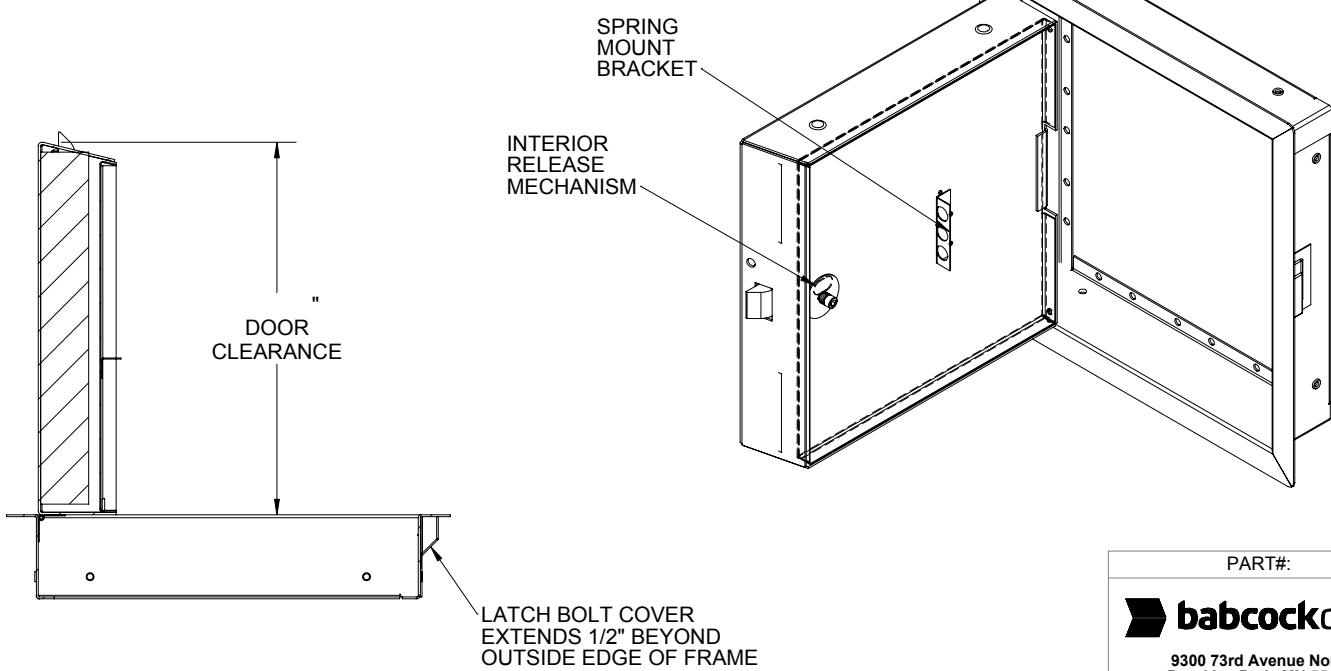
B

B



A

A



PART#:			TITLE:		
9300 73rd Avenue North Brooklyn Park, MN 55428					
NAME	DATE	SIZE	DWG. NO.	REV	
DRAWN		A		-	
RELEASED				SHEET 2 OF 2	

PROPRIETARY AND CONFIDENTIAL: THE INFORMATION CONTAINED IN THIS DRAWING IS THE SOLE PROPERTY OF BABCOCK-DAVIS. ANY REPRODUCTION IN PART OR AS A WHOLE WITHOUT THE WRITTEN PERMISSION OF BABCOCK-DAVIS IS PROHIBITED.