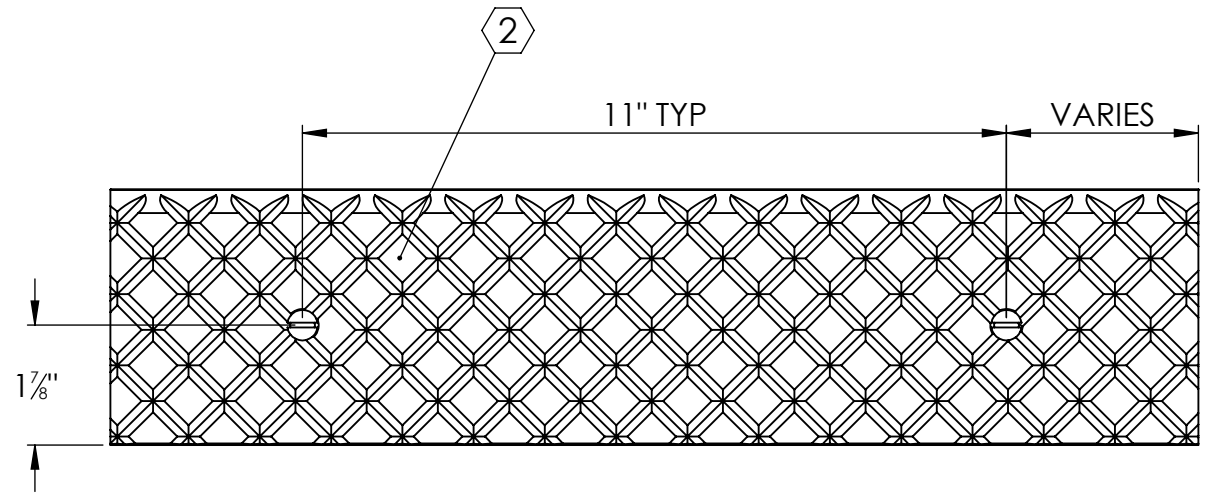
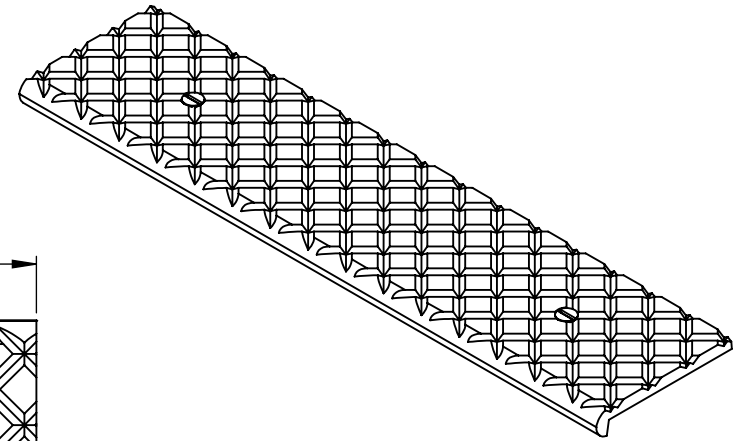


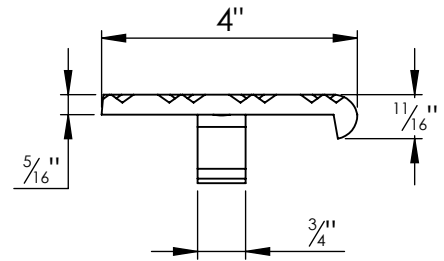
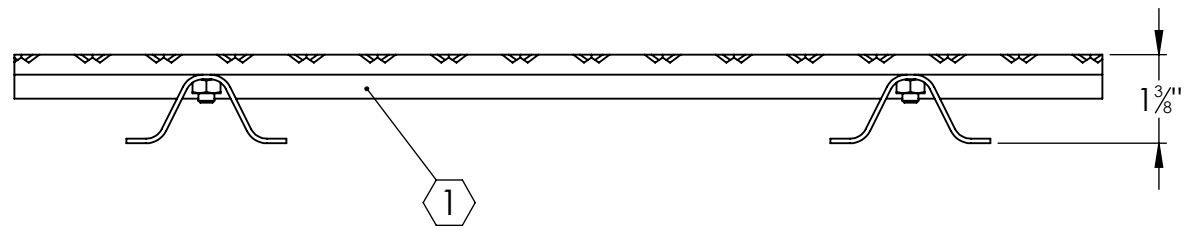
B

B



A

A



SPECIFICATIONS:

- ① **BASE: 319 CAST ALUMINUM**
- ② **ABRASIVE: SILICON CARBIDE ABRASIVE , CROSSHATCH PATTERN 1/8" DEEP**
- 3. **FINISH: SAND CAST**
- 4. **POURED CONCRETE STAIRS: NOSING SHALL TERMINATE NO MORE THEN 3" FROM END OF STEPS**
- 5. **LENGTH: 6" MINIMUM 6'-0" MAXIMUM**
- 6. **WING ANCHORS: STANDARD FOR POURED CONCRETE APPLICATIONS; STEEL ANCHORS AND STAINLESS STEEL HARDWARE**

| LENGTH ±1/8 | QTY |
|-------------|-----|
| | |
| | |
| | |
| | |
| | |
| | |
| | |

| | | | |
|---|---------|---|--------------|
| PROJECT: | | | |
| ARCHITECT: | | | |
| CONTRACTOR: | | | |
| QTY: | | | |
| PART#: | | BSTCA-P4W | |
| 9300 73rd Avenue North Brooklyn Park, MN 55428 | | TITLE: Stair Tread, Cast Series | |
| | | 4", Cast Aluminum Crosshatch Short Nosing for Pan, Wing Anchor | |
| NAME | DATE | SIZE | DWG. NO. |
| DRAWN SJB | 3/31/11 | A | BSTCA-P4W |
| RELEASED DWO | 3/31/11 | WEIGHT: 1.20 LB/FT | |
| | | | REV A |
| | | | SHEET 1 OF 1 |

PROPRIETARY AND CONFIDENTIAL: THE INFORMATION CONTAINED IN THIS DRAWING IS THE SOLE PROPERTY OF BABCOCK-DAVIS. ANY REPRODUCTION IN PART OR AS A WHOLE WITHOUT THE WRITTEN PERMISSION OF BABCOCK-DAVIS IS PROHIBITED.