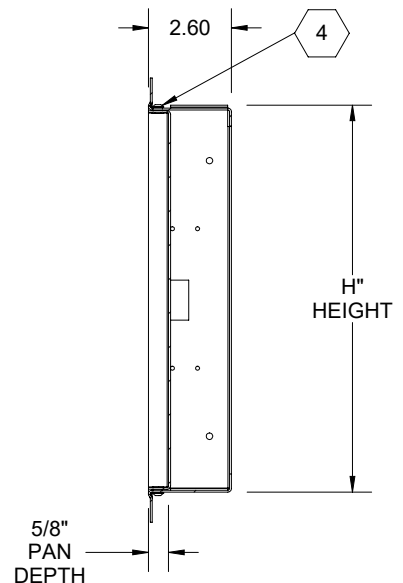
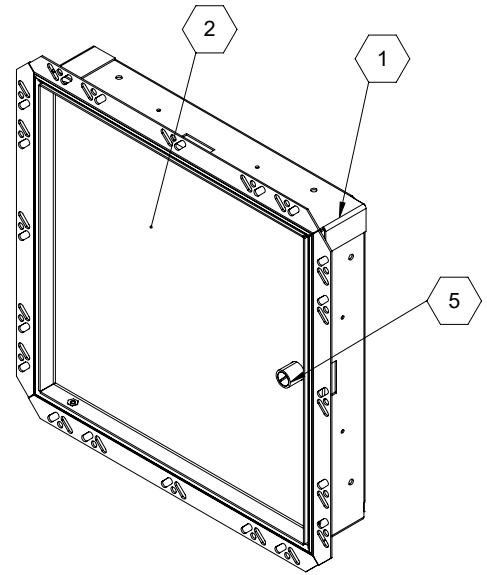


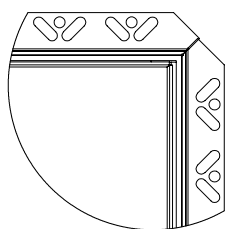
SECTION B-B



SECTION A-A



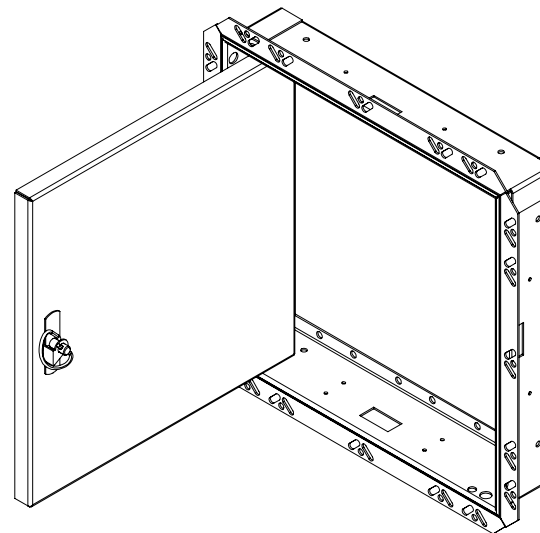
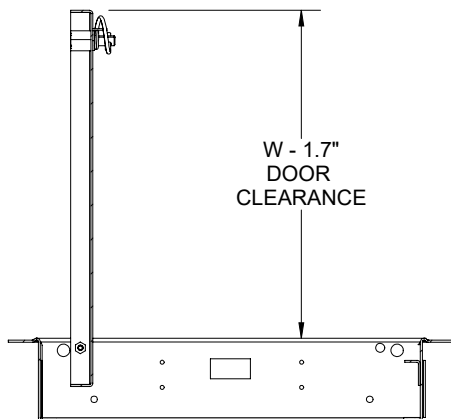
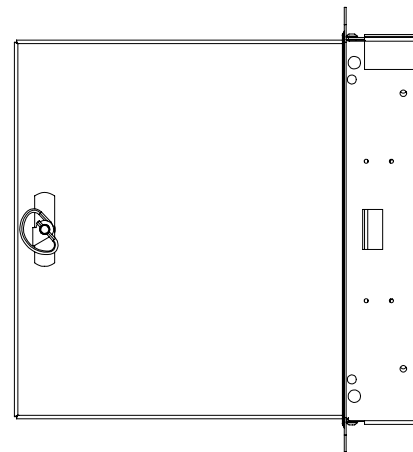
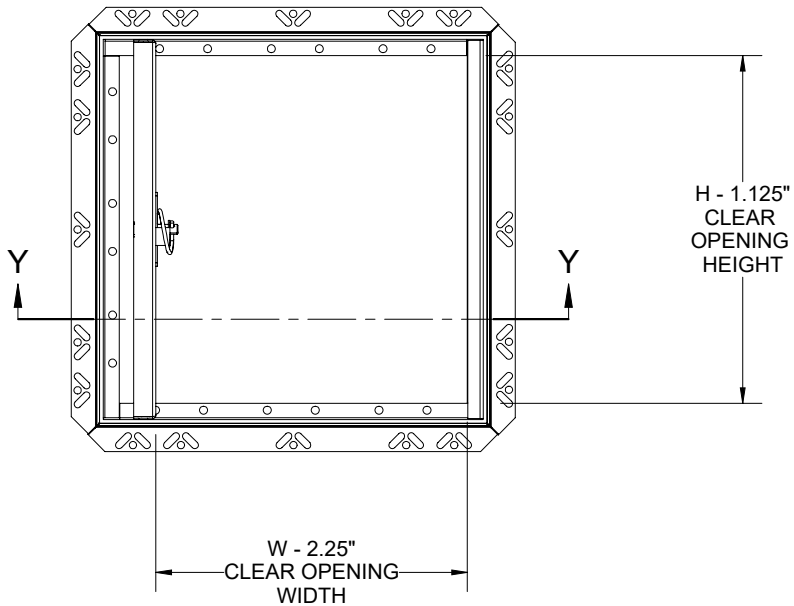
DETAIL D
DRYWALL BEAD DETAIL
SCALE 1 : 4



ROUGH OPENING: W + 0.25" x H + 0.25"
CLEAR OPENING: W - 2.25" x H - 1.125"
DEGREE OF OPENING: 100°
CAM QTY: NA Latch Side
 NA Top/Bottom Side

- NOTES:
- ① **FRAME:** Cold Rolled Steel 16 ga, Drywall Bead
 - ② **DOOR:** Cold Rolled Steel, 16 ga
 - ③ **FINISH:** White Powder Coat
 - ④ **HINGE:** Concealed Pin Hinge
 - ⑤ **LATCH:** Screwdriver Cam

PROJECT:					
ARCHITECT:					
CONTRACTOR:					
QTY:					
PART#:		BRWC_			
 9300 73rd Avenue North Minneapolis, MN 55428		TITLE: Access Door, Non-rated, W x H CRS, Recess Dr, Drywall Flg			
		NAME	DATE	SIZE	DWG. NO.
DRAWN			A	BRW ShpDr	-
RELEASED			WEIGHT: VARIES		SHEET 1 OF 2



B

B

A

A

			TITLE: Access Door, Non-rated, W x H CRS, Recess Dr, Drywall Flg		
9300 73rd Avenue North Minneapolis, MN 55428			DWG. NO. BRW ShpDr		REV -
DRAWN RELEASED	NAME 	DATE 	SIZE A	WEIGHT: Varies	SHEET 2 OF 2