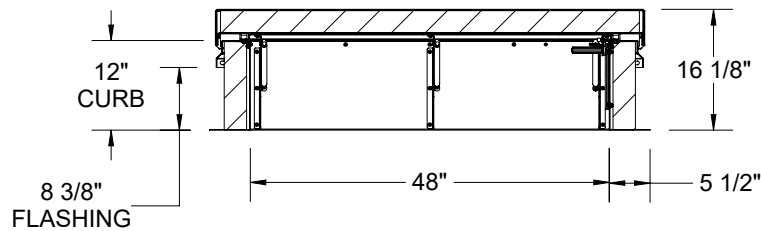
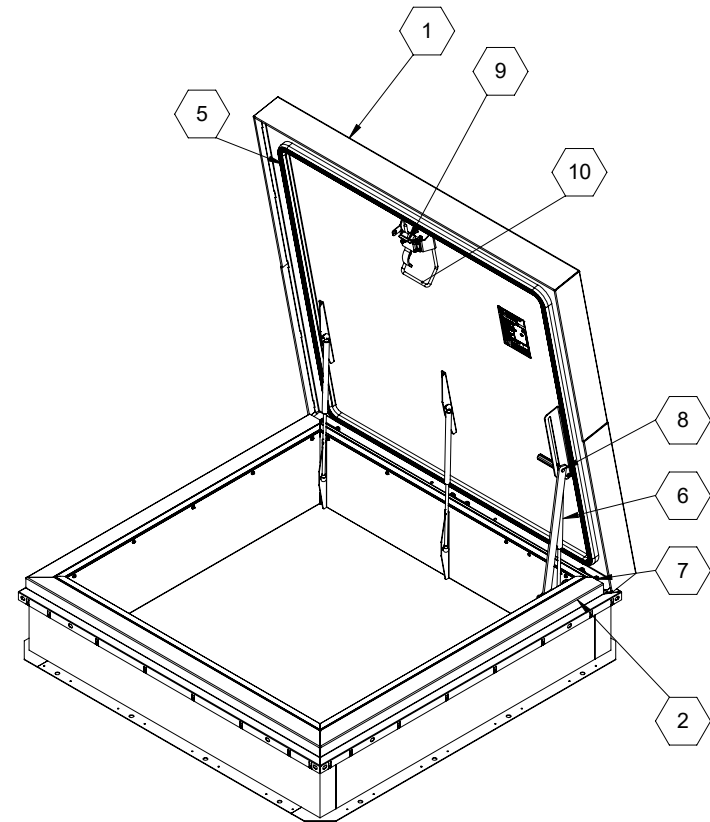


SECTION D-D



SECTION E-E



SPECIFICATIONS:

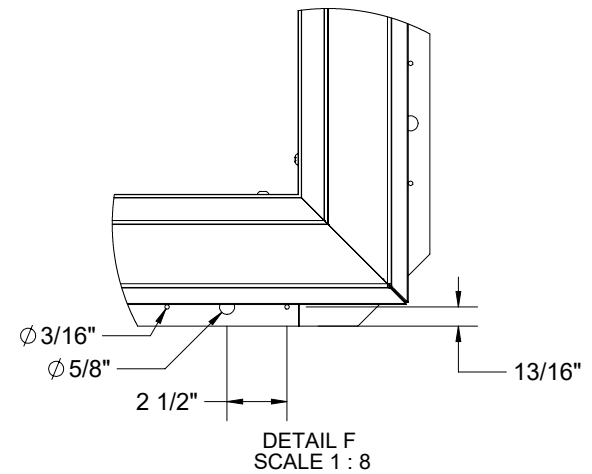
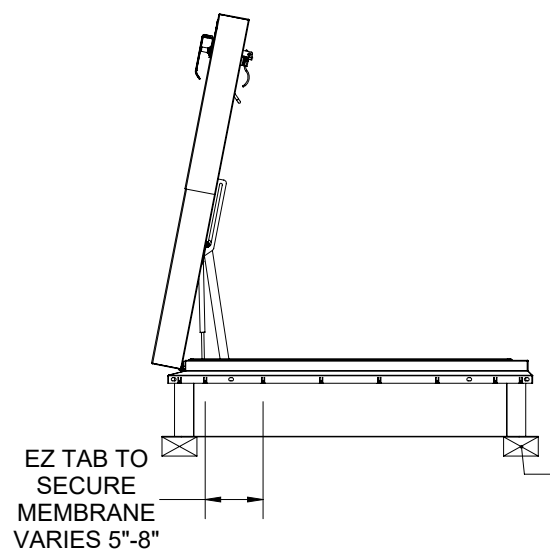
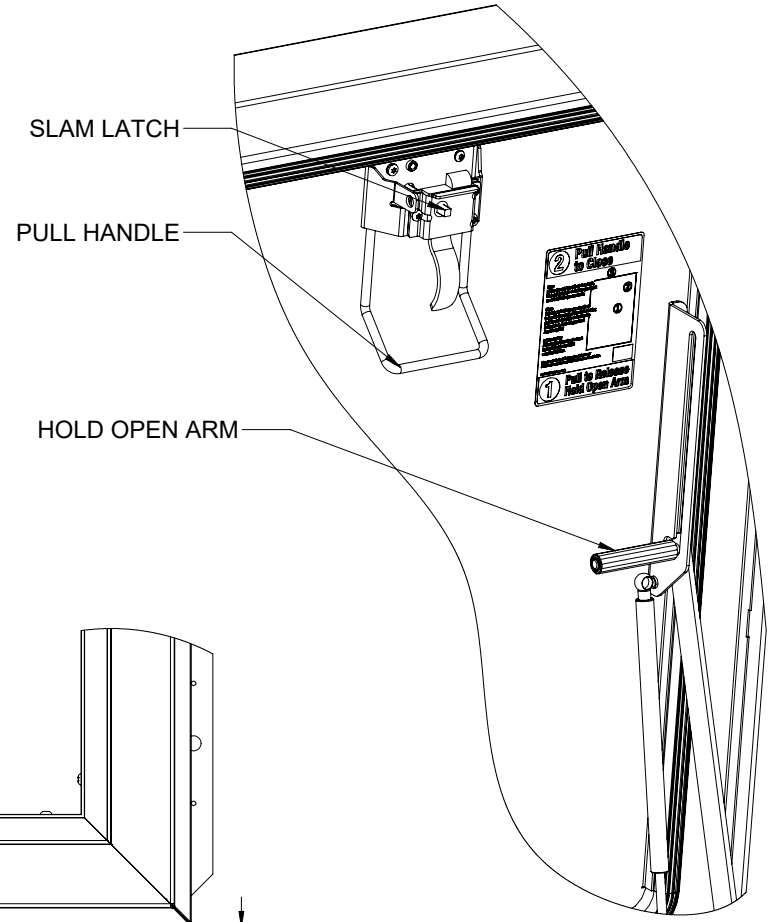
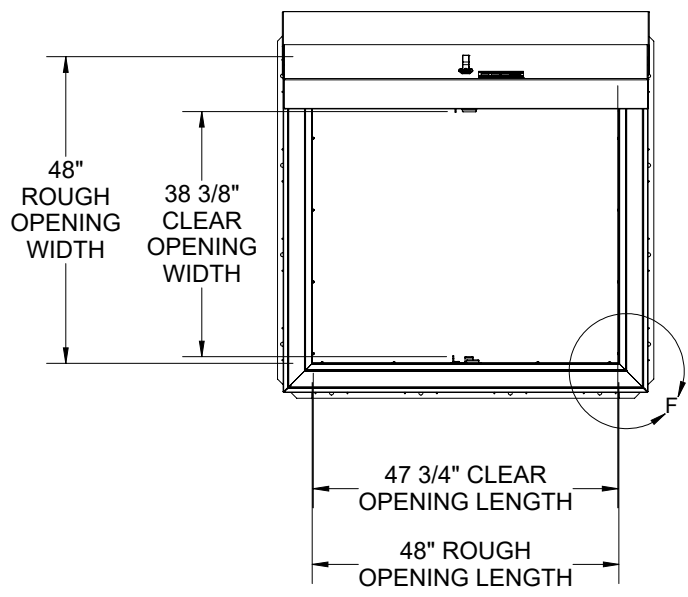
- ① **COVER:**
11 GA (.090) ALUM, STIFFENED TO WITHSTAND A LIVE LOAD OF 40PSF.
- ② **CURB:** 11 GA (.090) ALUM, CURB COUNTERFLASH WITH EZ TABS.
- ③ **FINISH:** MILL
- ④ **INSULATION:** 3" POLYISO R-20 IN CURB,
3" POLYISO R-20 IN COVER.
- ⑤ **GASKET:**
EXTRUDED EPDM RUBBER ADHESIVE BACKED GASKET SEAL CONTINUOUS AROUND COVER.
- ⑥ **SPRING:**
GAS SPRING WITH DAMPER FOR SMOOTH, CONTROLLED, COUNTERBALANCED LIFT ASSISTANCE.
- ⑦ **HINGE:** PINTLE HINGE WITH STAINLESS STEEL HINGE PINS.
- ⑧ **HOLD OPEN ARM:**
ZINC PLATED STEEL AUTOMATIC HOLD OPEN ARM LOCKS COVER IN FULLY OPEN POSITION WITH RED GRIP HANDLE PULL RELEASE.

- ⑨ **LATCH:**
ZINC PLATED STEEL SLAM LATCH, HOLDS COVERS CLOSED AGAINST 20PSF WIND UPLIFT, INTERIOR AND EXTERIOR HANDLES WITH PADLOCK HASPS.
- ⑩ **PULL HANDLE:**
INTERIOR PULL DOWN HANDLE, SAFETY YELLOW POWDER COAT.

NOTES:
 -WHEN INSTALLING ON A PITCHED ROOF UP TO 7:12, THE HINGE SIDE(LENGTH)MUST BE PARALLEL TO THE SLOPE.
 - WIDTH X LENGTH DIMENSIONS ARE MEASURED INSIDE CURB TO INSIDE CURB. THE WIDTH IS HINGE TO LATCH AND LENGTH IS HINGED SIDE.

ROOF HATCH SIZE 48" (WIDTH) x 48" (LENGTH)

PROJECT:			
ARCHITECT:			
CONTRACTOR:			
QTY:			
PART#:		BRHTA48X48S1T	
		TITLE: Roof Hatch, ThermalMAX, R20+, 48x48, S Dr, Zinc Hdw, Alum, Mill, Therm Broken, Sngl Wall Curb, 3" Polyiso Foil	
9300 73rd Avenue North Brooklyn Park, MN 55428			
NAME	DATE	SIZE	DWG. NO.
DRAWN DWO	5/12/22	A	Babcock RH BRHTA48X48S1T ShpDr
RELEASED DWO	5/12/22	WEIGHT: 179.6 LBS	
			REV A
			SHEET 1 OF 2



EZ TAB TO SECURE MEMBRANE VARIES 5"-8"

WOOD, CONCRETE, OTHER MATERIAL FOR MOUNTING BY OTHERS (NIC)

babcockdavis [®]			TITLE: Roof Hatch, ThermalMAX, R20+, 48x48, S Dr, Zinc Hdw, Alum, Mill, Therm Broken, Sngl Wall Curb, 3" Polyiso Foil		
9300 73rd Avenue North Brooklyn Park, MN 55428					
NAME	DATE	SIZE	DWG. NO.	REV	
DRAWN	DWO	5/12/22	A	Babcock RH BRHTA48X48S1T ShpDr	A
RELEASED	DWO	5/12/22	WEIGHT: 179.6 LBS		SHEET 2 OF 2

PROPRIETARY AND CONFIDENTIAL: THE INFORMATION CONTAINED IN THIS DRAWING IS THE SOLE PROPERTY OF BABCOCK-DAVIS. ANY REPRODUCTION IN PART OR AS A WHOLE WITHOUT THE WRITTEN PERMISSION OF BABCOCK-DAVIS IS PROHIBITED. ©2020 BABCOCK-DAVIS