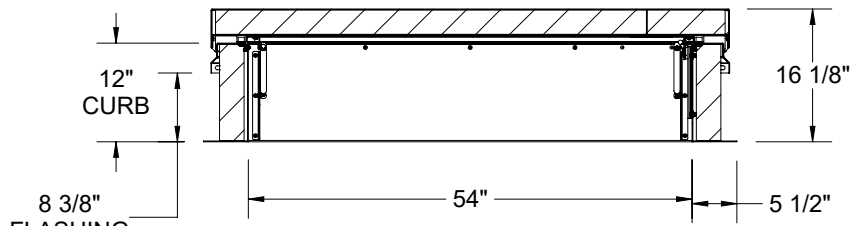
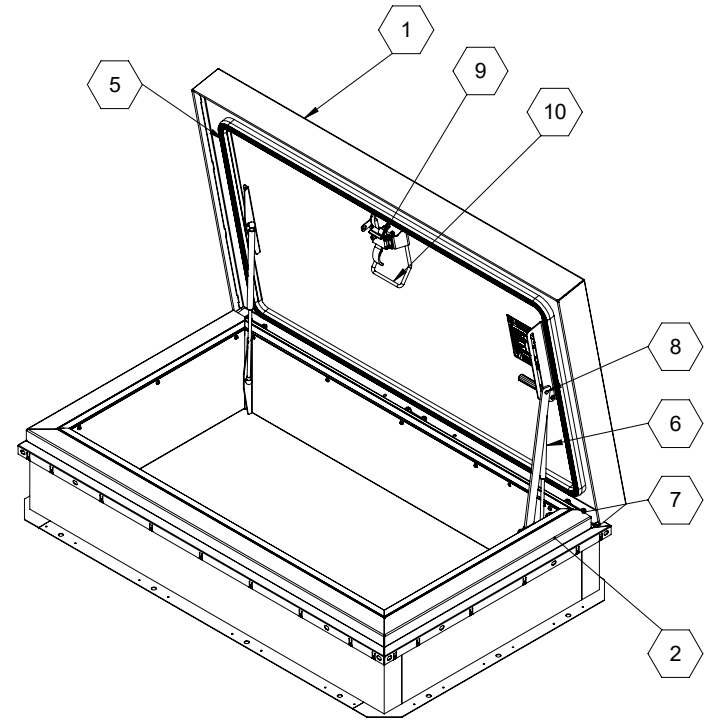


SECTION A-A



SECTION B-B

**SPECIFICATIONS:**

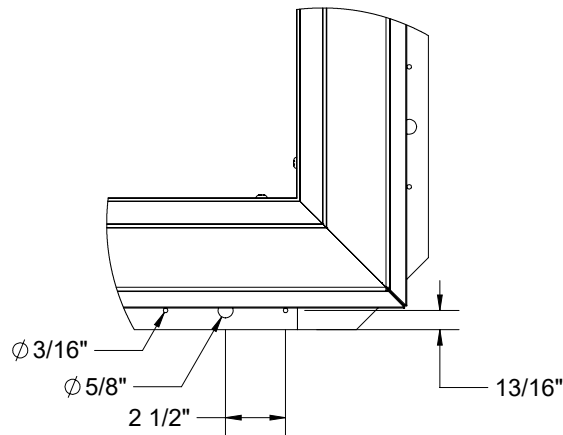
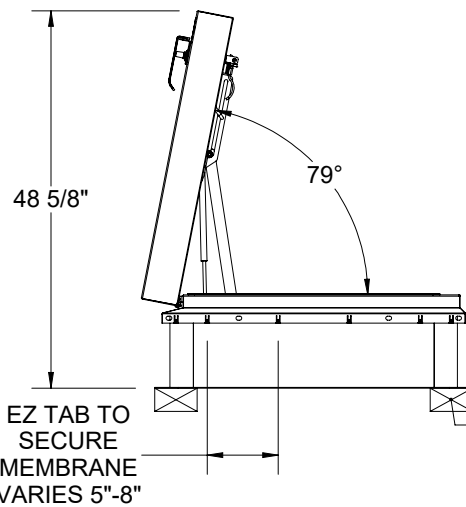
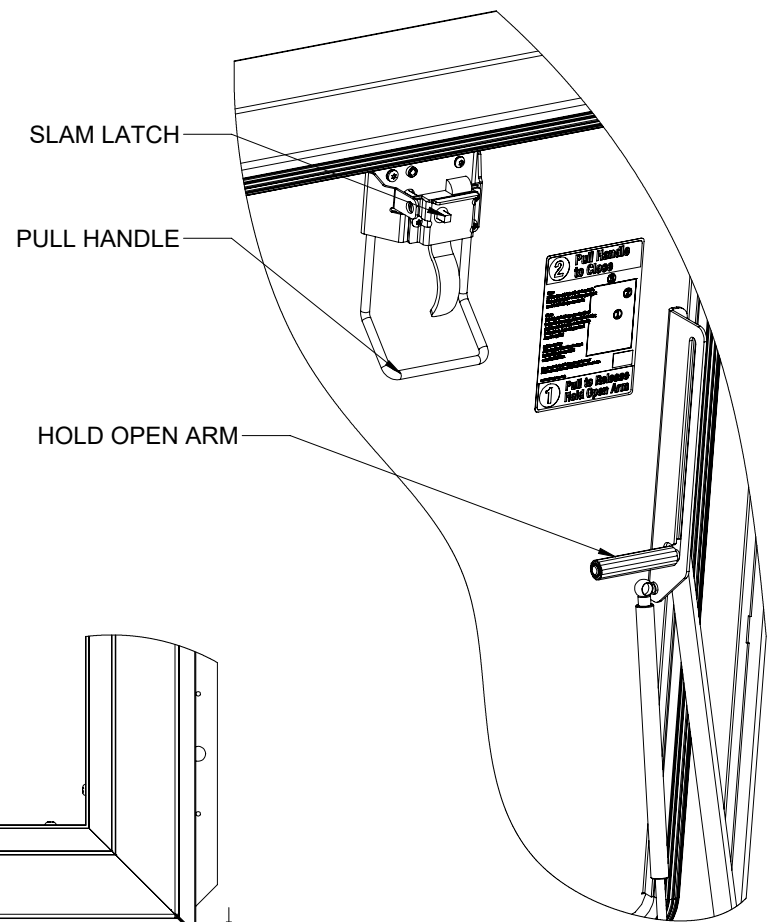
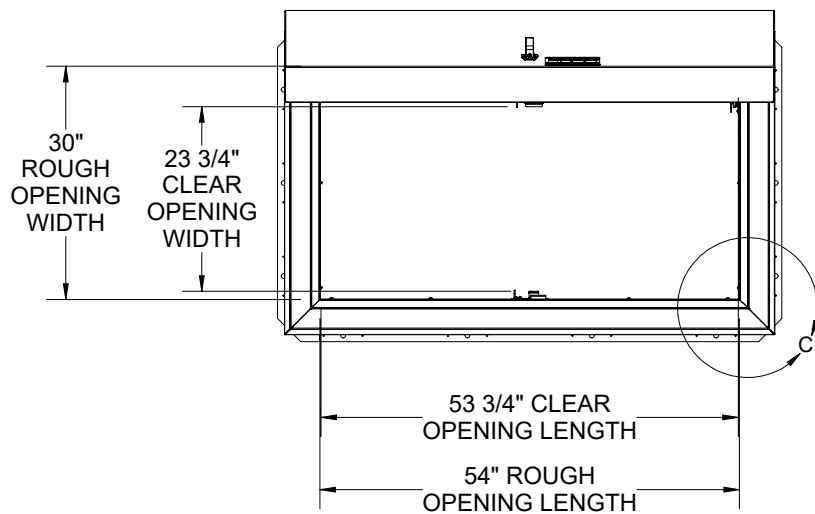
- ① **COVER:**  
11 GA (.090) ALUM, STIFFENED TO WITHSTAND A LIVE LOAD OF 40PSF WITH A MAX DEFLECTION OF 1/150 OF THE SPAN.
- ② **CURB:** 11 GA (.090) ALUM, CURB COUNTERFLASH WITH EZ TABS.
- ③ **FINISH:** MILL
- ④ **INSULATION:** 3" POLYISO R-20 IN CURB,  
3" POLYISO R-20 IN COVER.
- ⑤ **GASKET:**  
EXTRUDED EPDM RUBBER ADHESIVE BACKED GASKET SEAL CONTINUOUS AROUND COVER.
- ⑥ **SPRING:**  
GAS SPRING WITH DAMPER FOR SMOOTH, CONTROLLED, COUNTERBALANCED LIFT ASSISTANCE.
- ⑦ **HINGE:** PINTLE HINGE WITH STAINLESS STEEL HINGE PINS.
- ⑧ **HOLD OPEN ARM:**  
ZINC PLATED STEEL AUTOMATIC HOLD OPEN ARM LOCKS COVER IN FULLY OPEN POSITION WITH RED GRIP HANDLE PULL RELEASE.

- ⑨ **LATCH:**  
ZINC PLATED STEEL SLAM LATCH, HOLDS COVERS CLOSED AGAINST 20PSF WIND UPLIFT, INTERIOR AND EXTERIOR HANDLES WITH PADLOCK HASPS.
- ⑩ **PULL HANDLE:**  
INTERIOR PULL DOWN HANDLE, SAFETY YELLOW POWDER COAT.

**NOTES:**  
 -WHEN INSTALLING ON A PITCHED ROOF UP TO 7:12, THE HINGE SIDE(LENGTH)MUST BE PARALLEL TO THE SLOPE.  
 - WIDTH X LENGTH DIMENSIONS ARE MEASURED INSIDE CURB TO INSIDE CURB. THE WIDTH IS HINGE TO LATCH AND LENGTH IS HINGED SIDE.

**ROOF HATCH SIZE 30" (WIDTH) x 54" (LENGTH)**

PROJECT:			
ARCHITECT:			
CONTRACTOR:			
QTY:			
PART#:		<b>BRHTA30X54S1T</b>	
		TITLE: Roof Hatch, ThermalMAX, R20+, 30x54, S Dr, Zinc Hdw, Alum, Mill, Therm Broken, Sngl Wall Curb, 3" Polyiso Foil	
9300 73rd Avenue North Brooklyn Park, MN 55428			
NAME	DATE	SIZE	DWG. NO.
DRAWN DWO	5/12/22	A	Babcock RH BRHTA30X54S1T ShpDr
RELEASED DWO	5/12/22	WEIGHT: 147.9 LBS	
			REV A
			SHEET 1 OF 2



DETAIL C  
SCALE 1 : 8

EZ TAB TO SECURE MEMBRANE VARIES 5"-8"

WOOD, CONCRETE, OTHER MATERIAL FOR MOUNTING BY OTHERS (NIC)

**babcockdavis**<sup>®</sup>  
 9300 73rd Avenue North  
 Brooklyn Park, MN 55428

TITLE: Roof Hatch, ThermalMAX, R20+,  
 30x54, S Dr, Zinc Hdw,  
 Alum, Mill, Therm Broken, Sngl Wall Curb, 3"  
 Polyiso Foil

	NAME	DATE	SIZE	DWG. NO.	REV
DRAWN	DWO	5/12/22	A	Babcock RH BRHTA30X54S1T ShpDr	A
RELEASED	DWO	5/12/22		WEIGHT: 147.9 LBS	SHEET 2 OF 2