

SPECIFICATIONS:

- ① **COVER:** 1/4" ALUM STIFFENED TO WITHSTAND A LIVE LOAD OF 40PSF WITH A MAX DEFLECTION OF 1/150 OF THE SPAN
- ② **LINER:** 18 GA ALUM
- ③ **CURB:** 1/4" ALUM CURB, 11 GA (0.09") COUNTERFLASH WITH EZ TABS.
- ④ **FINISH:** MILL FINISH
- ⑤ **INSULATION:** 1" POLYISO (R-6) IN CURB
1" POLYSTYRENE (R-4) IN COVER
- ⑥ **GASKET:** EXTRUDED EPDM RUBBER ADHESIVE-BACKED GASKET SEAL, CONTINUOUS AROUND COVER
- ⑦ **SPRING:** GAS SPRING WITH DAMPER FOR SMOOTH, CONTROLLED, COUNTERBALANCED LIFT ASSISTANCE
- ⑧ **HINGE:** STAINLESS STEEL, TAMPER-PROOF
- ⑨ **HOLD OPEN ARM:** STEEL AUTOMATIC HOLD OPEN ARM LOCKS COVER IN FULLY OPEN POSITION WITH RED VINYL GRIP HANDLE PULL RELEASE

- ⑩ **LATCH:** STEEL SLAM LATCH, HOLDS COVER CLOSED AGAINST 20PSF WIND UPLIFT, INTERIOR AND EXTERIOR TURN HANDLES WITH PADLOCK HASPS
- ⑪ **PULL HANDLE:** INTERIOR PULL DOWN HANDLE, SAFETY YELLOW POWDER COAT

NOTES:

-WHEN INSTALLING ON A PITCHED ROOF UP TO 7:12, THE HINGE SIDE(LENGTH)MUST BE PARALLEL TO THE SLOPE.
- WIDTH X LENGTH DIMENSIONS ARE MEASURED INSIDE CURB TO INSIDE CURB. THE WIDTH IS HINGE TO LATCH AND LENGTH IS HINGED SIDE.

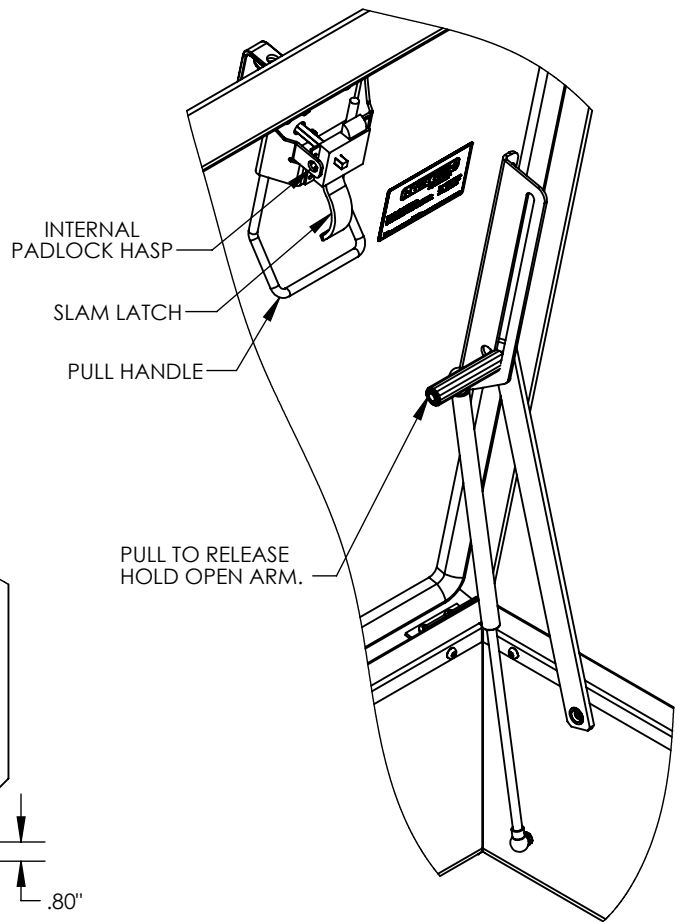
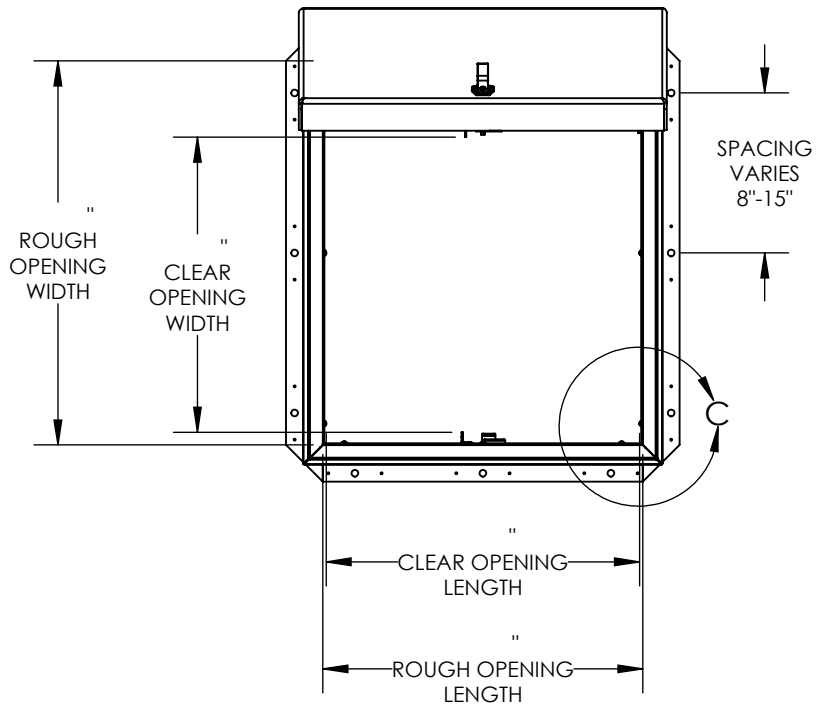
ROOF HATCH SIZE: " (WIDTH) x " (LENGTH)

OPTIONS

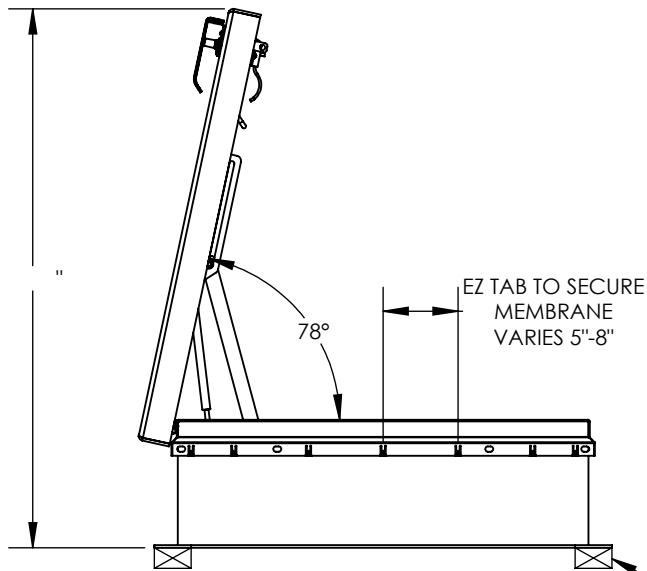
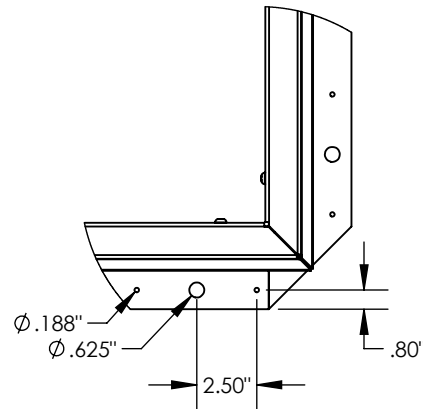
Stainless Steel Hardware

Double Wall Curb

PROJECT:			
ARCHITECT:			
CONTRACTOR:			
QTY:			
PART:			
		TITLE:	
		9300 73rd Avenue North Brooklyn Park, MN 55428	
NAME	DATE	SIZE	DWG. NO.
RELEASED		A	Babcock RH BRHSA_X_S_T ShpDr
WEIGHT:		SHEET 1 OF 2	



DETAIL C
SCALE 1 : 8



WOOD, CONCRETE, OTHER MATERIAL FOR MOUNTING BY OTHERS (NIC)



9300 73rd Avenue North
Brooklyn Park, MN 55428

TITLE:

NAME	DATE	SIZE	DWG. NO.	REV
DRAWN		A	Babcock RH BRHSA_X_S_T ShpDr	-
RELEASED		WEIGHT:	SHEET 2 OF 2	