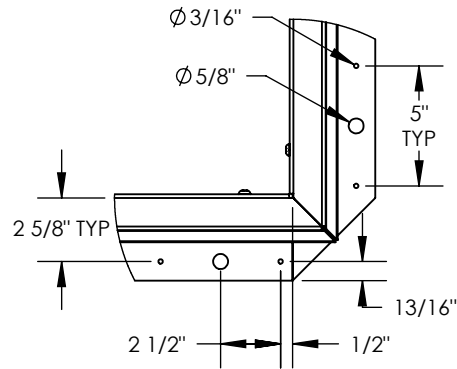


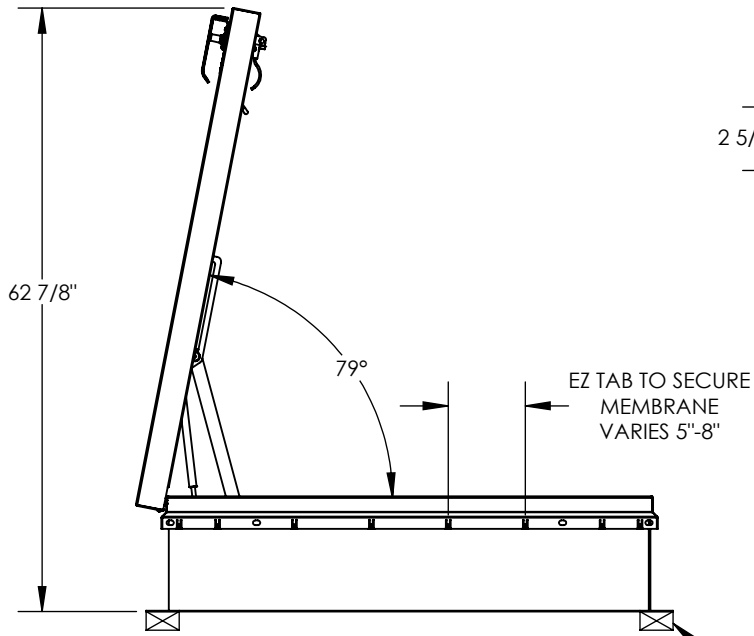
INTERNAL PADLOCK HASP

SLAM LATCH

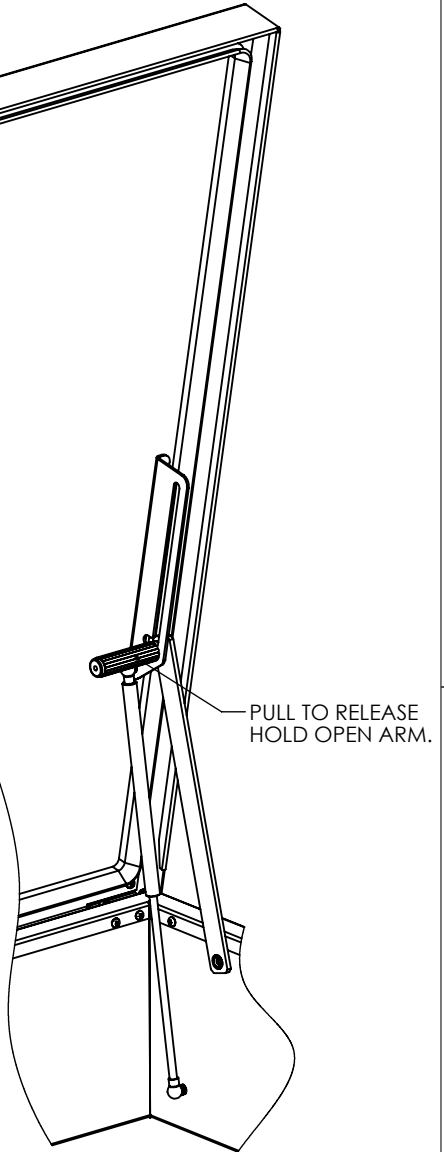
PULL HANDLE



DETAIL C
SCALE 1 : 8



WOOD, CONCRETE, OTHER MATERIAL FOR MOUNTING BY OTHERS (NIC)



| | | | | | |
|--|----------------|----------------|--|------------------------|--------|
| | | | TITLE: Roof Hatch, Hurricane 48x48, Sngl Dr, Galv Steel, Red Pwd, Sngl Wall Curb | | |
| 9300 73rd Avenue North, Brooklyn Park, MN 55428 | | | SIZE: A | DWG. NO. BRHHG48X48S1T | REV: - |
| NAME: SGS | DATE: 04/01/15 | SIZE: A | DWG. NO. BRHHG48X48S1T | REV: - | |
| RELEASED: IMT | DATE: 04/01/15 | WEIGHT: 96 lbs | SHEET 2 OF 2 | | |