

BMT38P
PREMIUM
CARPET
INSERT

BMT38R
RUGGED
SCRUB
INSERT

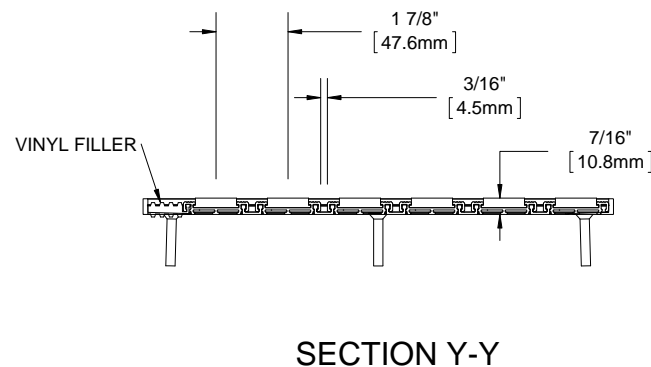
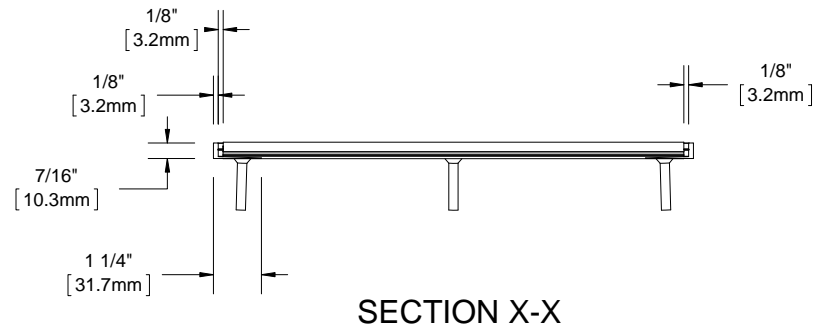
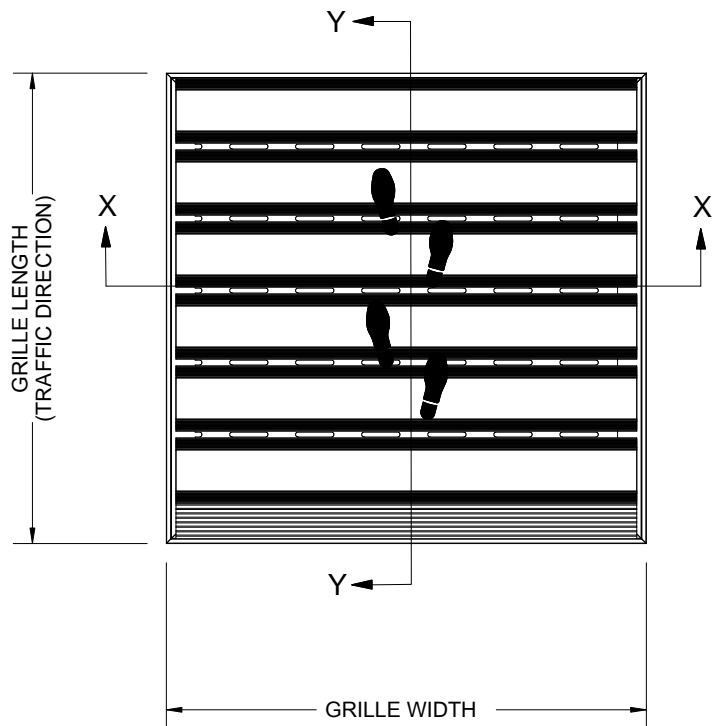
BMT38E
RECYCLED
RUBBER
INSERT

BMT38U
RIBBED
RUBBER
INSERT

BMT38G
ABRASIVE
VINYL
INSERT

BMT38B
BRUSH
INSERT

QTY	MODEL	WIDTH	LENGTH	FINISH	LOCATION



- NOTES:**
- STANDARD MAXIMUM SECTION SIZE OF GRILLE/MAT WIDTH NOT TO EXCEED 10'-0" UNLESS OTHERWISE SPECIFIED
 - FRAME ANCHOR SPACING: 6" FROM CORNERS, 24" MAX
 - VERIFY TRAFFIC DIRECTION AND THAT SECTIONING DOES NOT OCCUR IN A TRAFFIC LANE
 - ALL RAIL COMPONENTS ARE MADE OF VINYL, ALL FRAME COMPONENTS ARE MADE OF 6063-T5 ALUMINUM ALLOY (NOT APPLICABLE WITH VINYL SURFACE MOUNT FRAME)
 - TREAD RAILS MUST RUN PERPENDICULAR TO TRAFFIC DIRECTION
 - TRIM THE FILLER PROVIDED TO ENSURE A TIGHT FIT IN THE TRAFFIC DIRECTION (NOT APPLICABLE WITH VINYL SURFACE MOUNT FRAME)
 - GRILLE DIMENSION ALLOWS FOR CLEARANCE BETWEEN GRILLE SECTIONS AND FRAMES IN THE WIDTH DIMENSION
 - ADDITIONAL INFORMATION CAN BE FOUND IN THE PRODUCT SPECIFICATION AND IS CONSIDERED PART OF THIS TRANSMITTAL.
 - FRAME PART NUMBER: BFT38LBM

PROPRIETARY AND CONFIDENTIAL: THE INFORMATION CONTAINED IN THIS DRAWING IS THE SOLE PROPERTY OF BABCOCK-DAVIS. ANY REPRODUCTION IN PART OR AS A WHOLE WITHOUT THE WRITTEN PERMISSION OF BABCOCK-DAVIS IS PROHIBITED.

PROJECT:			
ARCHITECT:			
CONTRACTOR:			
		DESCRIPTION:	
		MATrac, 3/8", Vinyl, LDPE Hinge, Roll-up Mat with Cast in Place, Level Bed, Aluminum Frame	
9300 73rd Avenue North Brooklyn Park, MN 55428	NAME	DATE	SIZE
	DKL	4/13/15	A
	PE	4/13/15	
DRAWN			DWG. NO.
			BMT38-FLBM
RELEASED			SCALE: NTS
			SHEET 1 OF 1
			REV A