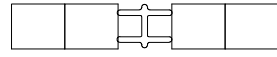
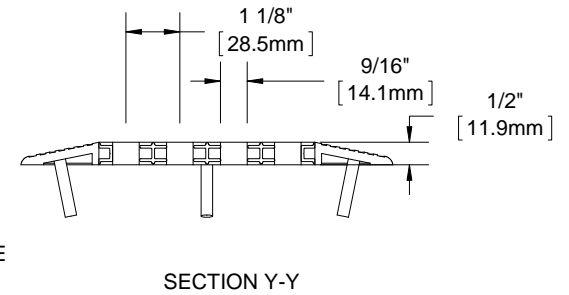
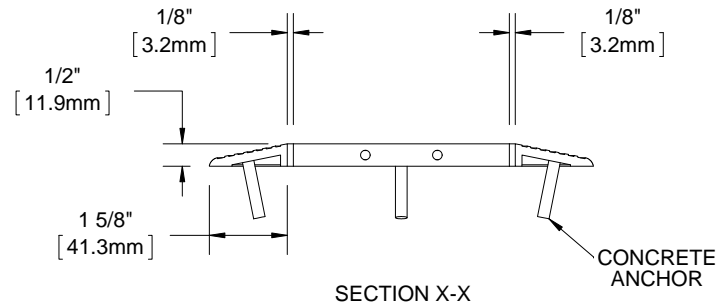
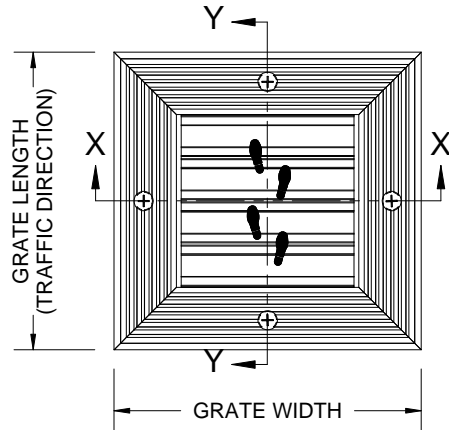


BGV12C

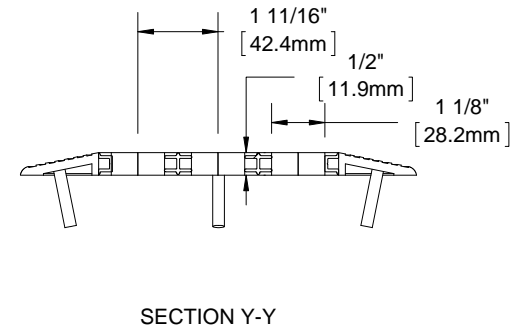
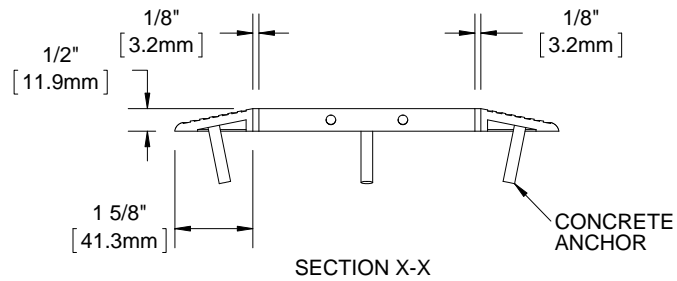
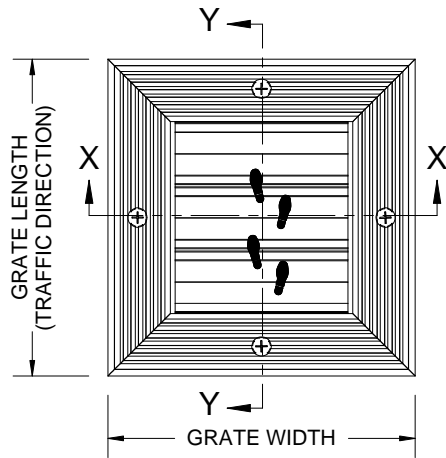


BGV12CC

QTY	MODEL	WIDTH	LENGTH	FINISH	LOCATION



SINGLE TREAD



DOUBLE TREAD

NOTES:

- STANDARD MAXIMUM SECTION SIZE OF GRATE WIDTH NOT TO EXCEED 10'-0"
- FRAME ANCHOR SPACING: 6" FROM CORNERS, 24" MAX
- VERIFY TRAFFIC DIRECTION
- ALL RAIL COMPONENTS ARE MADE OF 6063-T6 ALUMINUM ALLOY, ALL FRAME COMPONENTS ARE MADE OF 6063-T5 ALUMINUM ALLOY
- TREAD RAILS MUST RUN PERPENDICULAR TO TRAFFIC DIRECTION
- GRATE DIMENSION ALLOWS FOR CLEARANCE BETWEEN GRATE SECTIONS AND FRAMES IN THE WIDTH DIMENSION
- ADDITIONAL INFORMATION CAN BE FOUND IN THE PRODUCT SPECIFICATION AND IS CONSIDERED PART OF THIS TRANSMITTAL.
- FRAME PART NUMBER: BGV12SAM

PROPRIETARY AND CONFIDENTIAL: THE INFORMATION CONTAINED IN THIS DRAWING IS THE SOLE PROPERTY OF BABCOCK-DAVIS. ANY REPRODUCTION IN PART OR AS A WHOLE WITHOUT THE WRITTEN PERMISSION OF BABCOCK-DAVIS IS PROHIBITED.

PROJECT:

ARCHITECT:

CONTRACTOR:



9300 73rd Avenue North  
Brooklyn Park, MN 55428

DESCRIPTION:

envIRONtread II®, 15/32", Reversible  
Recycled Rubber Grate with Surface  
Mount Aluminum Frame

NAME	DATE	SIZE	DWG. NO.
DRAWN	DKL	4/17/15	A
RELEASED	PE	4/17/15	SCALE: NTS
			SHEET 1 OF 1
			REV B