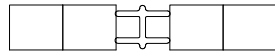
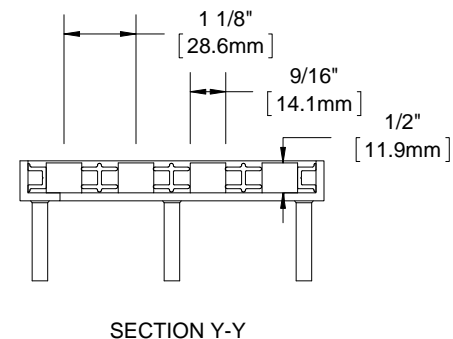
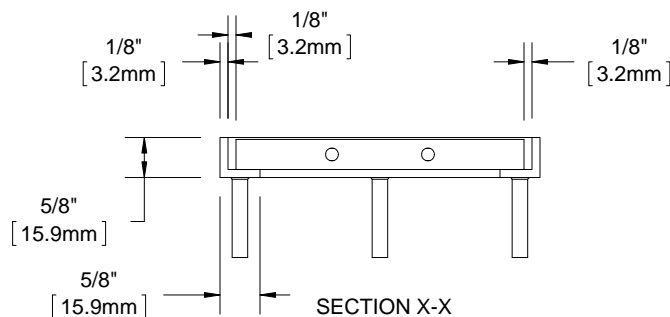
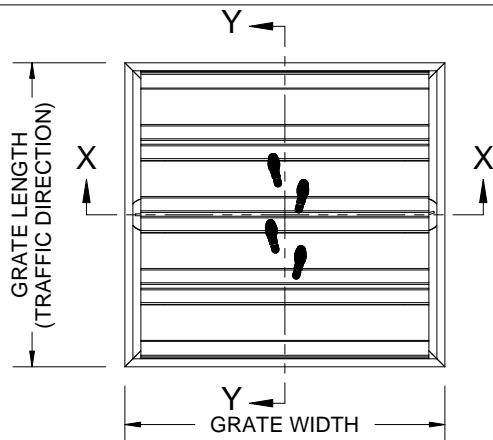


BGV12C

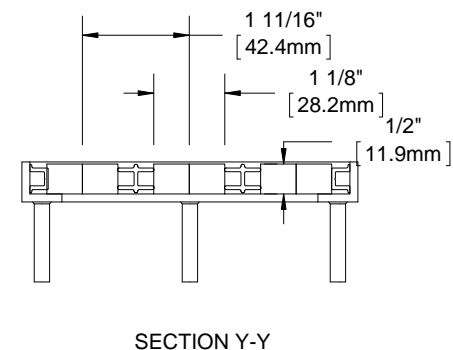
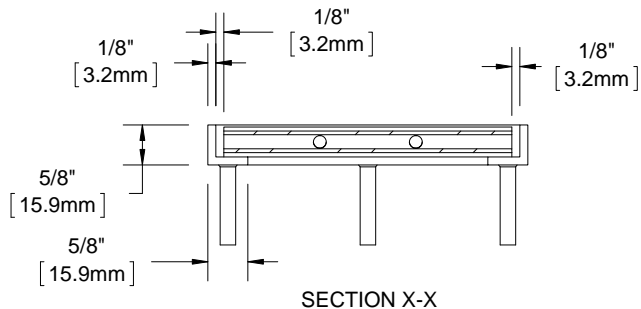
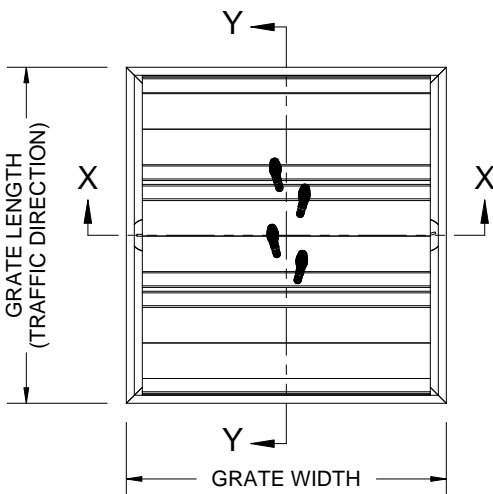


BGV12CC

QTY	MODEL	WIDTH	LENGTH	FINISH	LOCATION



SINGLE TREAD



DOUBLE TREAD

- NOTES:**
- STANDARD MAXIMUM SECTION SIZE OF GRATE WIDTH NOT TO EXCEED 10'-0"
 - FRAME ANCHOR SPACING: 6" FROM CORNERS, 24" MAX
 - VERIFY TRAFFIC DIRECTION
 - ALL RAIL COMPONENTS ARE MADE OF 6063-T6 ALUMINUM ALLOY, ALL FRAME COMPONENTS ARE MADE OF 6063-T5 ALUMINUM ALLOY
 - TREAD RAILS MUST RUN PERPENDICULAR TO TRAFFIC DIRECTION
 - GRATE DIMENSION ALLOWS FOR CLEARANCE BETWEEN GRATE SECTIONS AND FRAMES IN THE WIDTH DIMENSION
 - ADDITIONAL INFORMATION CAN BE FOUND IN THE PRODUCT SPECIFICATION AND IS CONSIDERED PART OF THIS TRANSMITTAL.
 - FRAME PART NUMBER: BFV12LBM

PROJECT:				
ARCHITECT:				
CONTRACTOR:				
<p>9300 73rd Avenue North Brooklyn Park, MN 55428</p>			DESCRIPTION:	
			enviRONtread II®, 15/32", Reversible Recycled Rubber Grate with Mechanically Fastened Aluminum Frame	
NAME	DATE	SIZE	DWG. NO.	
DRAWN	DKL	4/17/15	A BGV12C-FLBM	
RELEASED	PE	4/17/15	SCALE: NTS	SHEET 1 OF 1
				REV B