

2

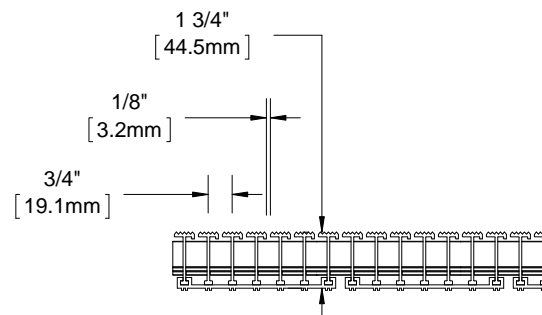
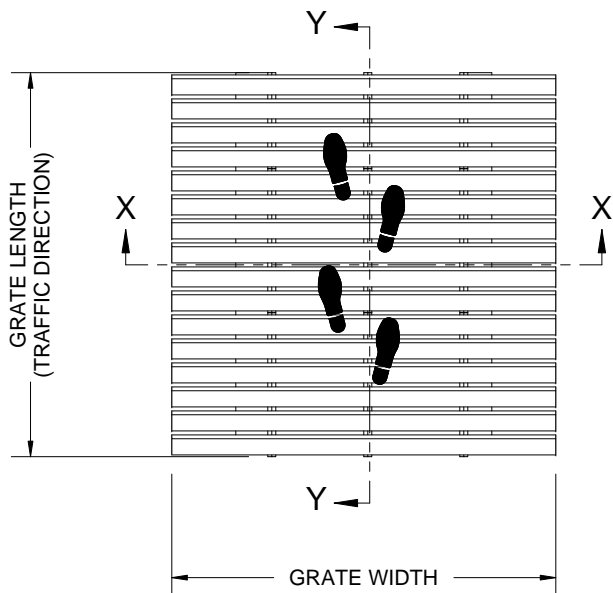


BGD74L
SERRATED
ALUMINUM
THINLINE

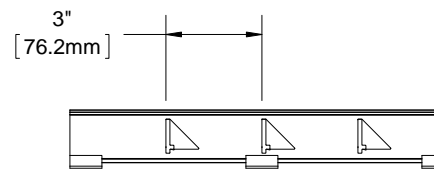
1

| QTY | MODEL | WIDTH | LENGTH | FINISH | LOCATION |
|-----|-------|-------|--------|--------|----------|
| | | | | | |
| | | | | | |
| | | | | | |
| | | | | | |
| | | | | | |
| | | | | | |
| | | | | | |
| | | | | | |
| | | | | | |
| | | | | | |

B



SECTION Y-Y



SECTION X-X

B

A

A

NOTES:

- STANDARD MAXIMUM SECTION SIZE OF GRATE WIDTH NOT TO EXCEED 8'-0", 3" KEYLOCK SPACING, CUSTOM SECTIONING AVAILABLE
- VERIFY TRAFFIC DIRECTION AND THAT SECTIONING DOES NOT OCCUR IN A TRAFFIC LANE
- ALL RAIL COMPONENTS ARE MADE OF 6063-T6 ALUMINUM ALLOY, ALL FRAME COMPONENTS ARE MADE OF 6063-T5 ALUMINUM ALLOY. KEYLOCKS ARE MADE WITH 6061-T6 ALUMINUM ALLOY
- TREAD RAILS MUST RUN PERPENDICULAR TO TRAFFIC DIRECTION
- TRAFFIC DIRECTION DIMENSION CAN ONLY BE CHANGED IN 3/4" (19.1 MM) INCREMENTS UNLESS OPTIONAL ALUMINUM FILLER IS INCLUDED
- GRATE DIMENSION ALLOWS FOR CLEARANCE BETWEEN GRATE SECTIONS AND FRAMES IN THE WIDTH DIMENSION
- ADDITIONAL INFORMATION CAN BE FOUND IN THE PRODUCT SPECIFICATION AND IS CONSIDERED PART OF THIS TRANSMITTAL.

PROJECT:

ARCHITECT:

CONTRACTOR:



9300 73rd Avenue North
Brooklyn Park, MN 55428

DESCRIPTION:

GRATEdesign®, 1-3/4", Aluminum Grate

| NAME | DATE | SIZE | DWG. NO. |
|-------------|--------|------------|--------------|
| DRAWN DKL | 5/8/15 | A | BGD74L-NF |
| RELEASED PE | 5/8/15 | SCALE: NTS | SHEET 1 OF 1 |
| | | | REV A |

PROPRIETARY AND CONFIDENTIAL: THE INFORMATION CONTAINED IN THIS DRAWING IS THE SOLE PROPERTY OF BABCOCK-DAVIS. ANY REPRODUCTION IN PART OR AS A WHOLE WITHOUT THE WRITTEN PERMISSION OF BABCOCK-DAVIS IS PROHIBITED.

2

1