

SPECIFICATIONS:

- ① **COVER:** 14 GA (.079) GALV STEEL, STIFFENED TO WITHSTAND A LIVE LOAD OF 40PSF WITH A MAX DEFLECTION OF 1/150 OF THE SPAN.
- ② **CURB:** 14 GA (.079) GALV STEEL CURB COUNTERFLASH WITH EZ TABS.
- ③ **FINISH:** RED POWDER COAT
- ④ **INSULATION:** 1" POLYISO R-6 (5.6 LTR) IN CURB, 1" POLYSTYRENE R-4 (3.8 LTR) IN COVER.
- ⑤ **GASKET:** EXTRUDED EPDM RUBBER ADHESIVE BACKED GASKET SEAL COUNTINUOUS AROUND COVER.
- ⑥ **SPRING:** GAS SPRING WITH DAMPER FOR SMOOTH, CONTROLLED, COUNTERBALANCED LIFT ASSISTANCE.
- ⑦ **HINGE:** PINTLE HINGE WITH STAINLESS STEEL HINGE PINS.
- ⑧ **HOLD OPEN ARM:** ZINC PLATED STEEL AUTOMATIC HOLD OPEN ARM LOCKS COVER IN FULLY OPEN POSITION WITH RED POLYPROPYLENE GRIP HANDLE PULL RELEASE.

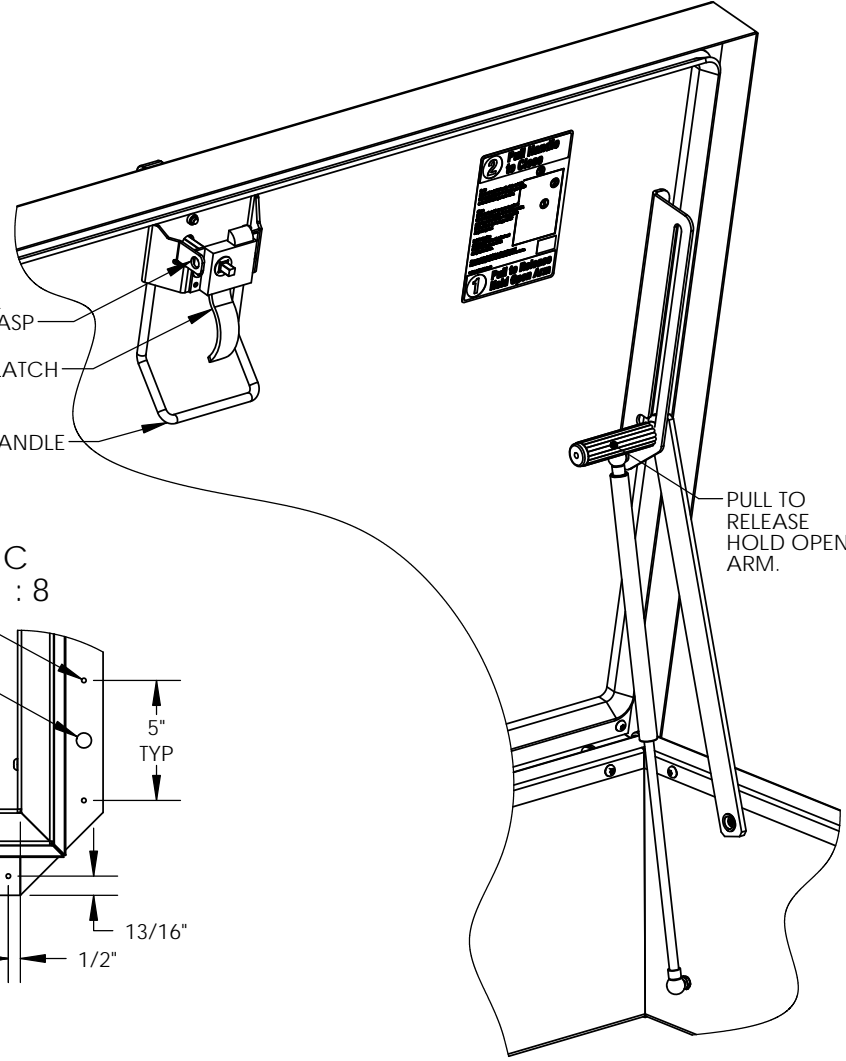
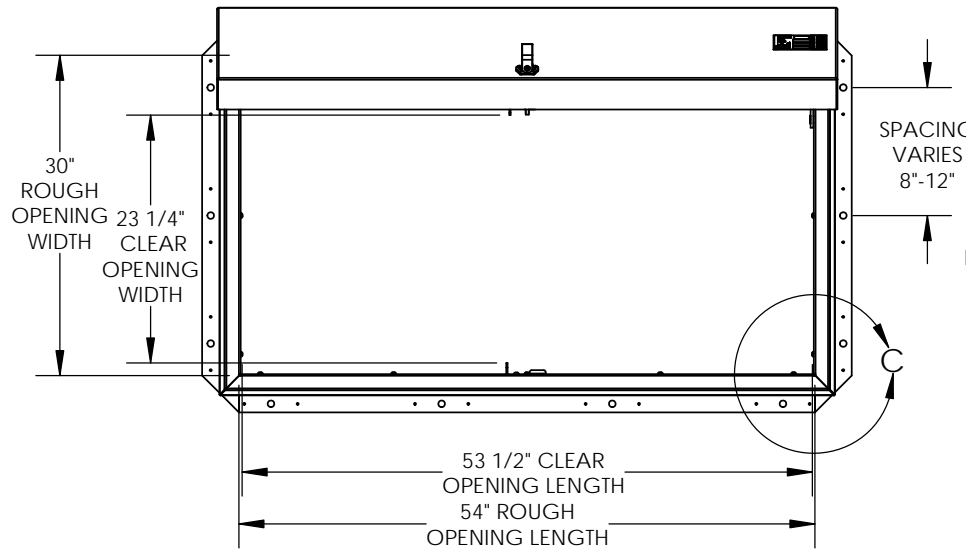
- ⑨ **LATCH:** ZINC PLATED STEEL SLAM LATCH, HOLDS COVER CLOSED AGAINST 20PSF WIND UPLIFT, INTERIOR AND EXTERIOR TURN HANDLES WITH PADLOCK HASPS.
- ⑩ **PULL HANDLE:** INTERIOR PULL DOWN HANDLE, SAFETY YELLOW POWDER COAT

NOTES:
 -WHEN INSTALLING ON A PITCHED ROOF UP TO 7:12, THE HINGE SIDE(LENGTH)MUST BE PARALLEL TO THE SLOPE.
 - WIDTH X LENGTH DIMENSIONS ARE MEASURED INSIDE CURB TO INSIDE CURB. THE WIDTH IS HINGE TO LATCH AND LENGTH IS HINGED SIDE.

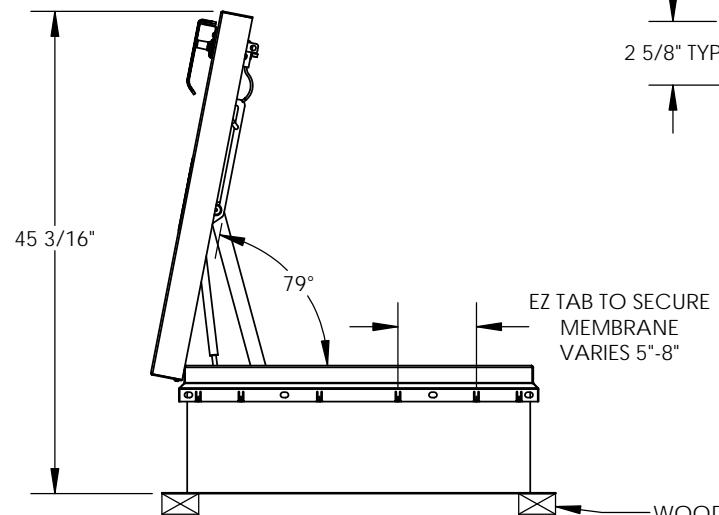
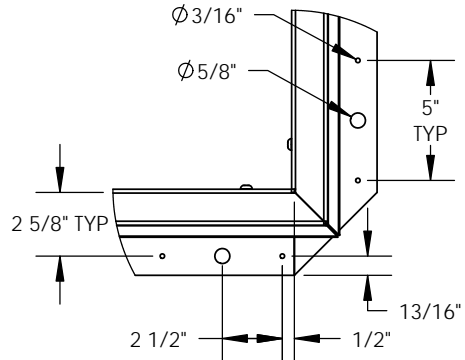
ROOF HATCH SIZE 30" (WIDTH) x 54" (LENGTH)
CLEAR OPENING 23 1/4"(WIDTH) x 53 1/2" (LENGTH)
ROUGH OPENING 30" (WIDTH) x 54" (LENGTH)

PROPRIETARY AND CONFIDENTIAL: THE INFORMATION CONTAINED IN THIS DRAWING IS THE SOLE PROPERTY OF BABCOCK-DAVIS. ANY REPRODUCTION IN PART OR AS A WHOLE WITHOUT THE WRITTEN PERMISSION OF BABCOCK-DAVIS IS PROHIBITED.

PROJECT:			
ARCHITECT:			
CONTRACTOR:			
QTY:			
PART:		BG3054	
		TITLE:	
		BRHUG30X54S1T Roof Hatch Personnel II, 30x54, S Dr, Galvn Steel, Red Pwd, Sngl Wall Curb	
9300 73rd Avenue North Brooklyn Park, MN 55428		NAME	DATE
DRAWN	SGS	04/01/15	SIZE
RELEASED	IMT	04/01/15	AWG. NO.
		BG3054	
		WEIGHT: 165 lbs	
		SHEET 1 OF 2	



DETAIL C
SCALE 1 : 8



WOOD, CONCRETE, OTHER MATERIAL FOR MOUNTING BY OTHERS (NIC)

			TITLE: BRHUG30X54S1T Roof Hatch Personnel II, 30x54, S Dr, Galvnl Steel, Red Pwd, Sngl Wall Curb		
9300 73rd Avenue North Brooklyn Park, MN 55428			SIZE A	DWG. NO. BG3054	REV -
DRAWN SGS	DATE 04/01/15	RELEASED IMT	WEIGHT: 165 lbs	SHEET 2 OF 2	

PROPRIETARY AND CONFIDENTIAL: THE INFORMATION CONTAINED IN THIS DRAWING IS THE SOLE PROPERTY OF BABCOCK-DAVIS. ANY REPRODUCTION IN PART OR AS A WHOLE WITHOUT THE WRITTEN PERMISSION OF BABCOCK-DAVIS IS PROHIBITED.