

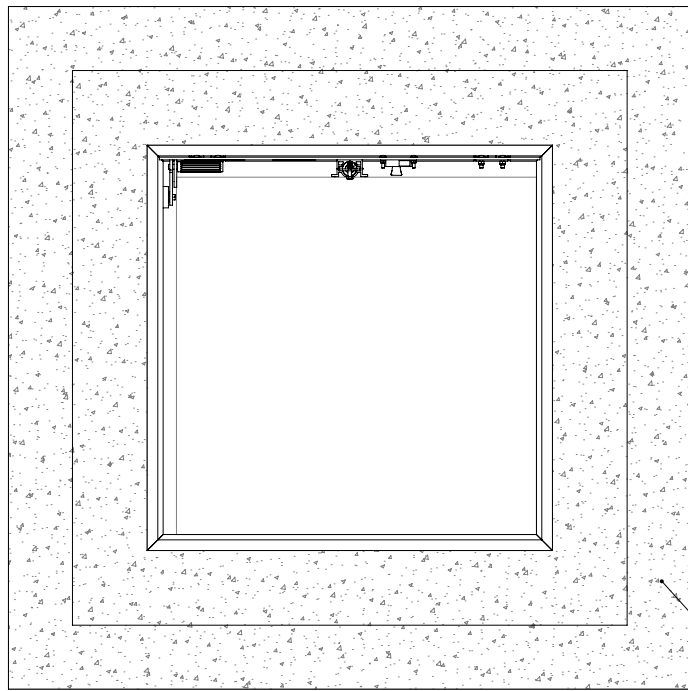
SPECIFICATIONS:

- ① **DOOR:** ALUMINUM, 1/4" DIAMOND PLATE, MILL FINISH WITH A LIVE LOAD OF 300 PSF WITH A MAX SPAN DEFLECTION OF L/150
- ② **FRAME:** ALUMINUM, 1/4" EXTRUSION, GRAY PRIMER FINISH ON EXTERIOR SURFACES THAT COME IN CONTACT WITH CONCRETE
- ③ **HINGES:** TYPE 316 STAINLESS STEEL
- ④ **SLAM LATCH:** TYPE 316 STAINLESS STEEL WITH INSIDE LEVER HANDLE AND OUTSIDE REMOVABLE 5/16" SQUARE L HANDLE
- ⑤ **COUNTER-BALANCE SPRING:** ENCLOSED, TYPE 17-7 SST SPRING
- ⑥ **HOLD-OPEN ARM:** TYPE 316 STAINLESS STEEL WITH RED VINYL GRIP HANDLE
- ⑦ **GASKET:** EPDM

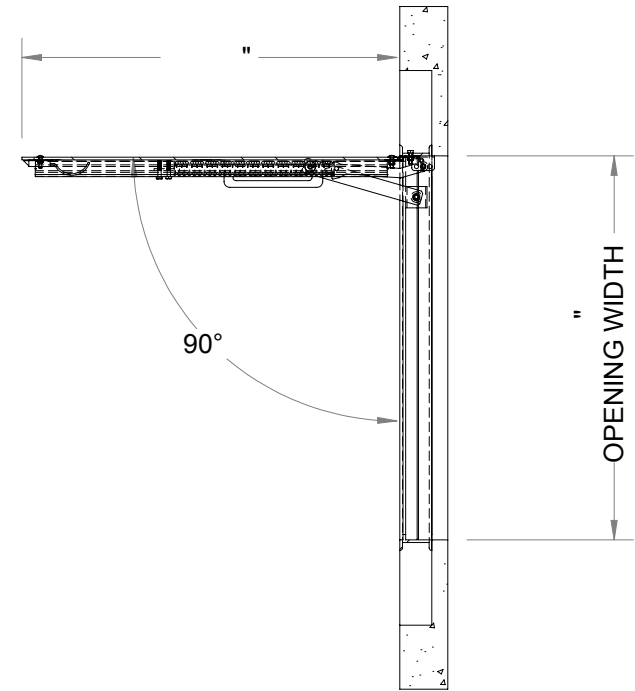
FLOOR DOOR SIZE:

PROPRIETARY AND CONFIDENTIAL: THE INFORMATION CONTAINED IN THIS DRAWING IS THE SOLE PROPERTY OF BABCOCK-DAVIS. ANY REPRODUCTION IN PART OR AS A WHOLE WITHOUT THE WRITTEN PERMISSION OF BABCOCK-DAVIS IS PROHIBITED. THIS SHOP DRAWING MAY NOT BE AN ACTUAL REPRESENTATION OF THE FINAL PRODUCT.

PROJECT:			
ARCHITECT:			
CONTRACTOR:			
QTY:			
PART#:			
 9300 73rd Avenue North Brooklyn Park, MN 55428		TITLE: Floor Door, Non-Drainable Series, Sngl Dr, 316 SST Hdw, Alum, Mill, Pedestrian, Cast-In, Slam Latch Removable L Hdl	
		DWG. NO. Babcock FD BFDNPA_X_SFL ShpDr A	
NAME	DATE	SIZE	REV
DRAWN SWS	3-31-17	A	A
RELEASED TR	3-31-17	WEIGHT:	SHEET 1 OF 2

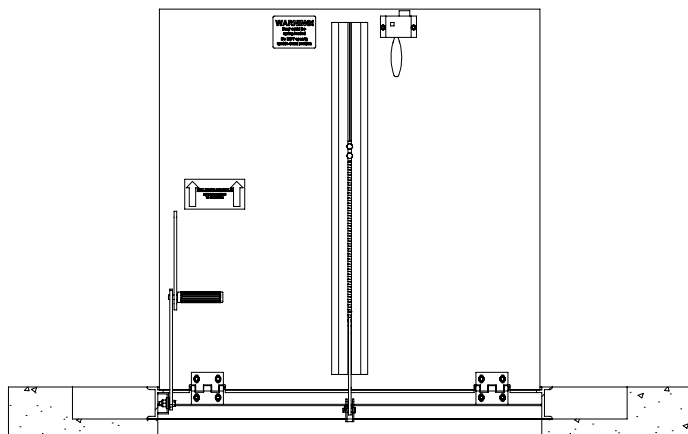


CONCRETE

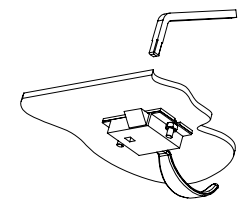


90°

INCH
OPENING WIDTH



INCH
OPENING LENGTH



SLAM LATCH DETAIL

			TITLE: Floor Door, Non-Drainable Series, Sngl Dr, 316 SST Hdw, Alum, Mill, Pedestrian, Cast-In, Slam Latch Removable L Hdl		
9300 73rd Avenue North Brooklyn Park, MN 55428			SIZE	DWG. NO.	REV
DRAWN	SWS	3-31-17	A	Babcock FD BFDNPA_X_SFL ShpDr A	
RELEASED	TR	3-31-17	WEIGHT:		SHEET 2 OF 2

PROPRIETARY AND CONFIDENTIAL: THE INFORMATION CONTAINED IN THIS DRAWING IS THE SOLE PROPERTY OF BABCOCK-DAVIS. ANY REPRODUCTION IN PART OR AS A WHOLE WITHOUT THE WRITTEN PERMISSION OF BABCOCK-DAVIS IS PROHIBITED.