

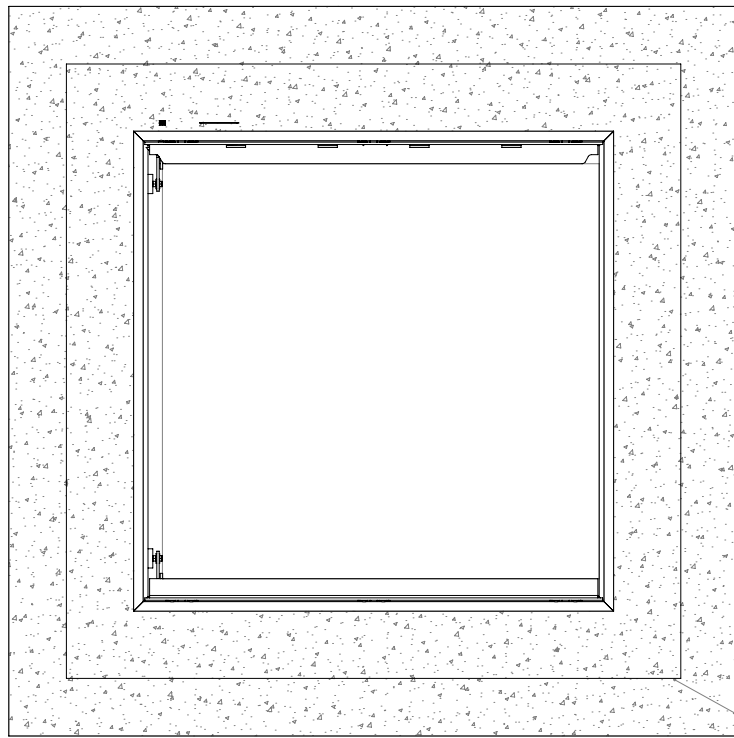
SPECIFICATIONS:

- ① **DOOR:** ALUMINUM, 1/4" DIAMOND PLATE, MILL FINISH WITH A LIVE LOAD OF 300 PSF WITH A MAX SPAN DEFLECTION OF L/150
- ② **FRAME:** ALUMINUM, 1/4" EXTRUSION, GRAY PRIMER FINISH ON EXTERIOR SURFACES THAT COME IN CONTACT WITH CONCRETE
- ③ **HINGES:** TYPE 316 STAINLESS STEEL
- ④ **SLAM LATCH:** TYPE 316 STAINLESS STEEL WITH INSIDE LEVER HANDLE AND OUTSIDE REMOVABLE 5/16" SQUARE L HANDLE
- ⑤ **COUNTER-BALANCE SPRING:** ENCLOSED, TYPE 17-7 SST SPRING
- ⑥ **HOLD-OPEN ARM:** TYPE 316 STAINLESS STEEL WITH RED VINYL GRIP HANDLE
- ⑦ **GASKET:** EPDM

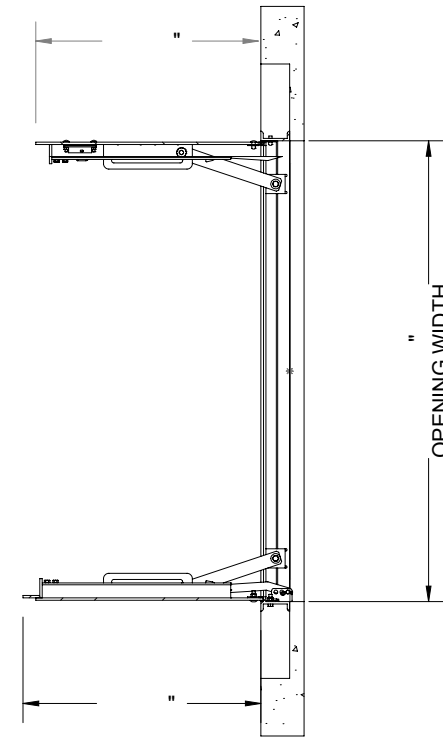
FLOOR DOOR SIZE:

| | | | |
|-------------|----------|---|-------------------------------|
| PROJECT: | | | |
| ARCHITECT: | | | |
| CONTRACTOR: | | | |
| QTY: | | | |
| PART#: | | | |
| | | TITLE: Floor Door, Non-Drainable Series, Dbl Dr, 316 SST Hdw, Alum, Mill, Pedestrian, Cast-In, Slam Latch Removbl L Hdl | |
| | | 9300 73rd Avenue North Brooklyn Park, MN 55428 | |
| NAME | DATE | SIZE | DWG. NO. |
| DRAWN JPB | 04/27/18 | A | Babcock FD BFDNPA_X_DFL ShpDr |
| RELEASED TR | 04/27/18 | WEIGHT: | |

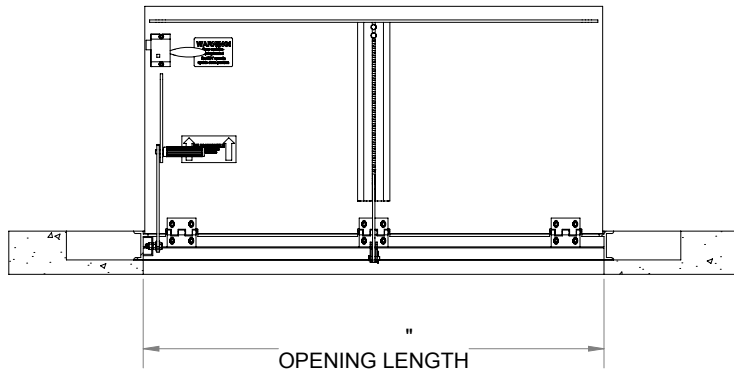
PROPRIETARY AND CONFIDENTIAL: THE INFORMATION CONTAINED IN THIS DRAWING IS THE SOLE PROPERTY OF BABCOCK-DAVIS. ANY REPRODUCTION IN PART OR AS A WHOLE WITHOUT THE WRITTEN PERMISSION OF BABCOCK-DAVIS IS PROHIBITED. THIS SHOP DRAWING MAY NOT BE AN ACTUAL REPRESENTATION OF THE FINAL PRODUCT.



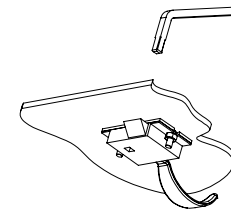
CONCRETE



OPENING WIDTH



OPENING LENGTH



SLAM LATCH DETAIL



9300 73rd Avenue North
Brooklyn Park, MN 55428

TITLE: Floor Door, Non-Drainable Series,
Dbl Dr, 316 SST Hdw,
Alum, Mill, Pedestrian, Cast-In, Slam Latch
Removbl L Hdl

| | NAME | DATE | SIZE | DWG. NO. | REV |
|----------|------|----------|---------|-------------------------------|--------------|
| DRAWN | JPB | 04/27/18 | A | Babcock FD BFDNPA_X_DFL ShpDr | A |
| RELEASED | TR | 04/27/18 | WEIGHT: | | SHEET 2 OF 2 |

PROPRIETARY AND CONFIDENTIAL: THE INFORMATION CONTAINED IN THIS DRAWING IS THE SOLE PROPERTY OF BABCOCK-DAVIS. ANY REPRODUCTION IN PART OR AS A WHOLE WITHOUT THE WRITTEN PERMISSION OF BABCOCK-DAVIS IS PROHIBITED. THIS SHOP DRAWING MAY NOT BE AN ACTUAL REPRESENTATION OF THE FINAL PRODUCT.