

SPECIFICATIONS:

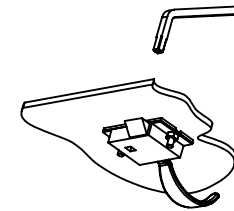
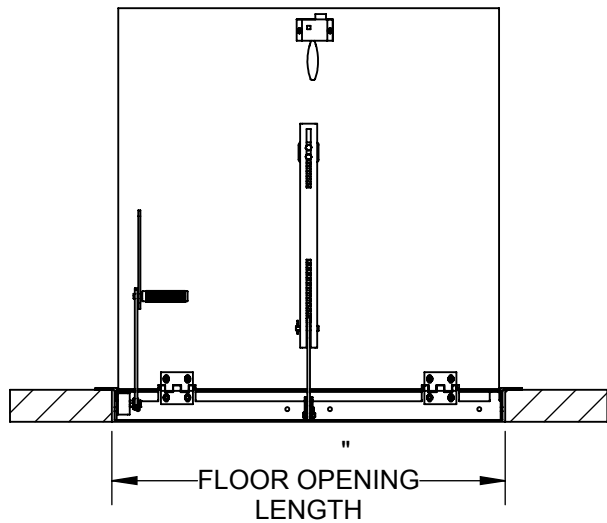
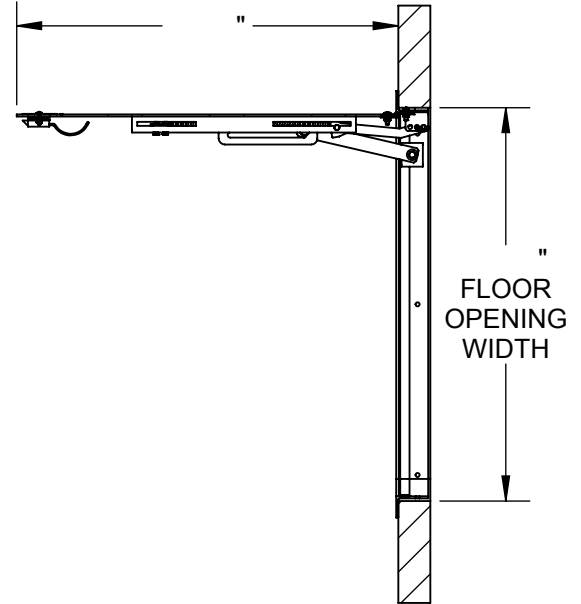
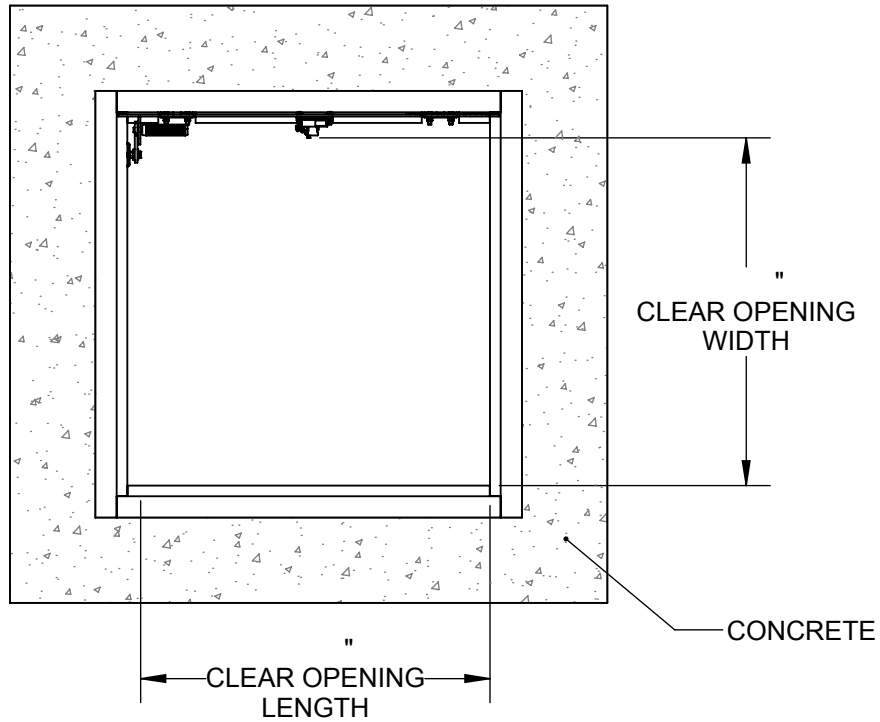
- ① **DOOR:**
316 SST, 3/16" DIAMOND PLATE, BEAD BLAST FINISH WITH A LIVE LOAD OF 300 PSF WITH A MAX SPAN DEFLECTION OF 1/150
- ② **FRAME:**
316 SST, 2"x3"x3/16" ANGLE, BEAD BLAST FINISH
- ③ **HINGES:** TYPE 316 STAINLESS STEEL
- ④ **SLAM LATCH:**
TYPE 316 STAINLESS STEEL WITH INSIDE LEVER HANDLE AND OUTSIDE REMOVABLE HANDLE
- ⑤ **COUNTER-BALANCE SPRING:**
ENCLOSED, TYPE 17-7 SST SPRING
- ⑥ **HOLD-OPEN ARM:**
TYPE 316 STAINLESS STEEL WITH RED VINYL GRIP HANDLE

⑦ **ANCHOR:** 3/8" HOLES PROVIDED FOR BOLT IN ON SITE, ANCHORS PROVIDED BY OTHERS

FLOOR DOOR SIZE:

PROPRIETARY AND CONFIDENTIAL: THE INFORMATION CONTAINED IN THIS DRAWING IS THE SOLE PROPERTY OF BABCOCK-DAVIS. ANY REPRODUCTION IN PART OR AS A WHOLE WITHOUT THE WRITTEN PERMISSION OF BABCOCK-DAVIS IS PROHIBITED.

PROJECT:				
ARCHITECT:				
CONTRACTOR:				
QTY:				
PART#:				
babcockdavis 9300 73rd Avenue North, Brooklyn Park, MN 55428	TITLE: Floor Door, Existing Opening, Sngl Dr, 316 SST Hdw, 316 SST, Bead Blast, Pedestrian, Bolt-In, Slam Latch Removbl L Hdl			
NAME	DATE	SIZE	DWG. NO.	REV
DRAWN SWS	8/3/2018	A	Babcock FD BFDEPV_X_SDL ShpDr	A
RELEASED TR	8/3/2018	WEIGHT:		SHEET 1 OF 2



SLAM LATCH DETAIL

PROPRIETARY AND CONFIDENTIAL: THE INFORMATION CONTAINED IN THIS DRAWING IS THE SOLE PROPERTY OF BABCOCK-DAVIS. ANY REPRODUCTION IN PART OR AS A WHOLE WITHOUT THE WRITTEN PERMISSION OF BABCOCK-DAVIS IS PROHIBITED.



9300 73rd Avenue North
Brooklyn Park, MN 55428

TITLE: Floor Door, Existing Opening,
Sngl Dr, 316 SST Hdw,
316 SST, Bead Blast, Pedestrian, Bolt-In,
Slam Latch Removbl L Hdl

	NAME	DATE	SIZE	DWG. NO.	REV
DRAWN	SWS	8/3/2018	A	Babcock FD BFDEPV_X_SDL ShpDr	A
RELEASED	TR	8/3/2018	WEIGHT:	SHEET 2 OF 2	