


SPECIFICATIONS:

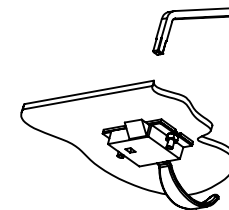
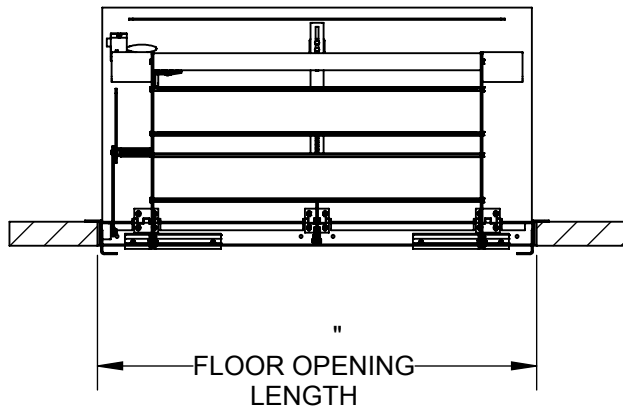
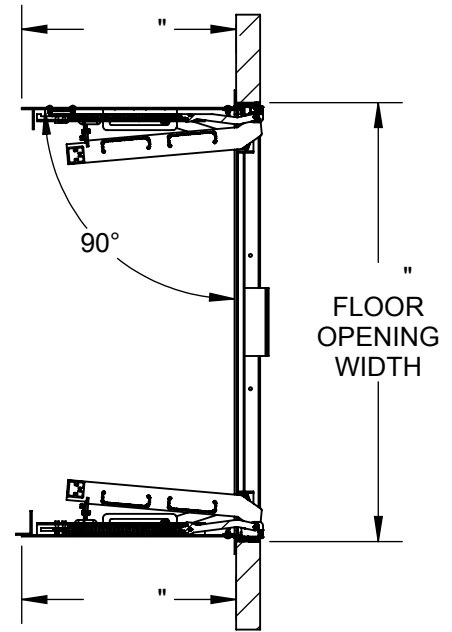
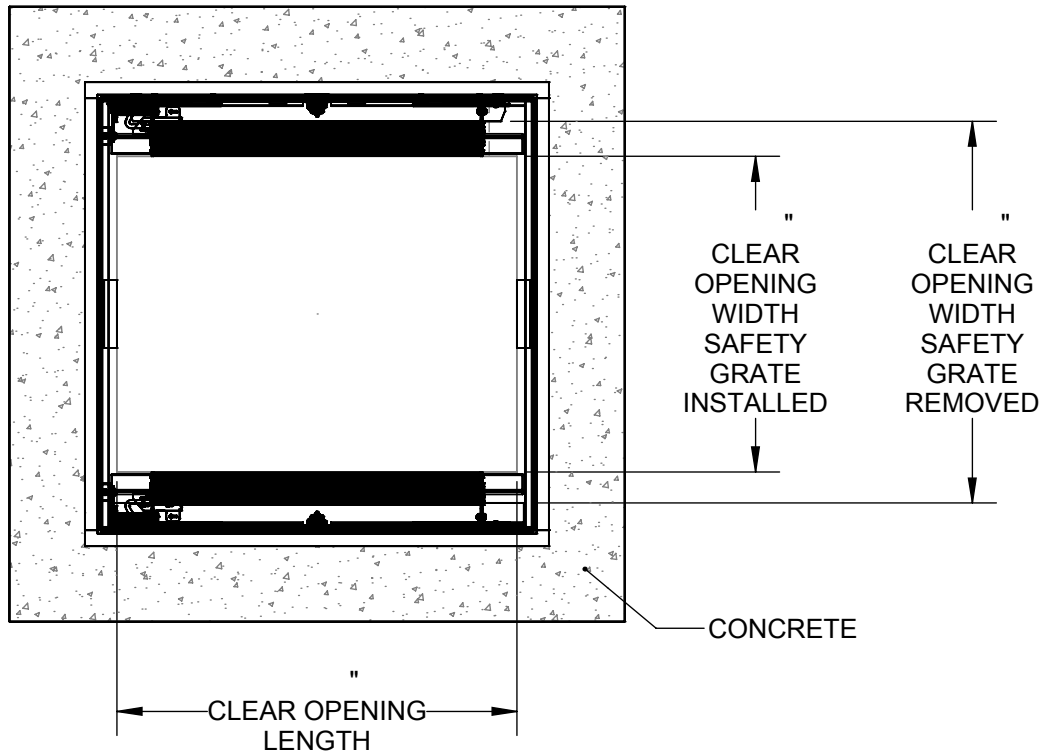
- ① **DOOR:**
316 SST, 3/16" DIAMOND PLATE, BEAD BLAST FINISH WITH A LIVE LOAD OF 300 PSF WITH A MAX SPAN DEFLECTION OF 1/150
- ② **FRAME:**
316 SST, 2"x3"x3/16" ANGLE, BEAD BLAST FINISH
- ③ **HINGES:** TYPE 316 STAINLESS STEEL
- ④ **SLAM LATCH:**
TYPE 316 STAINLESS STEEL WITH INSIDE LEVER HANDLE AND OUTSIDE REMOVABLE HANDLE
- ⑤ **COUNTER-BALANCE SPRING:**
ENCLOSED, TYPE 17-7 SST SPRING
- ⑥ **HOLD-OPEN ARM:**
TYPE 316 STAINLESS STEEL WITH RED VINYL GRIP HANDLE

- ⑦ **SAFETY GRATE:**
ALUMINUM, 6" SERRATED RAILS WITH SAFETY ORANGE POWDER COAT, LIVE LOAD OF 300PSF, SST HINGES AND INTEGRAL PADLOCK HASP
- ⑧ **NUT-RAIL:** ALUMINUM NUT-RAIL ON HINGE SIDES
- ⑨ **ANCHOR:** 3/8" HOLE PROVIDED FOR BOLT IN ON SITE, ANCHORS PROVIDED BY OTHERS

FLOOR DOOR SIZE:

PROPRIETARY AND CONFIDENTIAL: THE INFORMATION CONTAINED IN THIS DRAWING IS THE SOLE PROPERTY OF BABCOCK-DAVIS. ANY REPRODUCTION IN PART OR AS A WHOLE WITHOUT THE WRITTEN PERMISSION OF BABCOCK-DAVIS IS PROHIBITED.

PROJECT:				
ARCHITECT:				
CONTRACTOR:				
QTY:				
PART#:				
	TITLE: Floor Door, Existing Opening, Dbl Dr, 316 SST Hdw, 316 SST, Bead Blast, Pedestrian, Bolt-In, Slam Latch, Removable L Hdl			
9300 73rd Avenue North, Brooklyn Park, MN 55428				
NAME	DATE	SIZE	DWG. NO.	REV
DRAWN BES	12/4/2018	A	Babcock FD BFDEPV_X_DDL-SGT ShpDr	A
RELEASED BES	12/4/2018	WEIGHT:	SHEET 1 OF 2	



SLAM LATCH DETAIL

			TITLE: Floor Door, Existing Opening, Dbl Dr, 316 SST Hdw, 316 SST, Bead Blast, Pedestrian, Bolt- In, Slam Latch, Removable L Hdl		
9300 73rd Avenue North Brooklyn Park, MN 55428					
	NAME	DATE	SIZE	DWG. NO.	REV
DRAWN	BES	12/4/2018	A	Babcock FD BFDEPV_X_DDL-SGT ShpDr	A
RELEASED	BES	12/4/2018	WEIGHT:	SHEET 2 OF 2	