


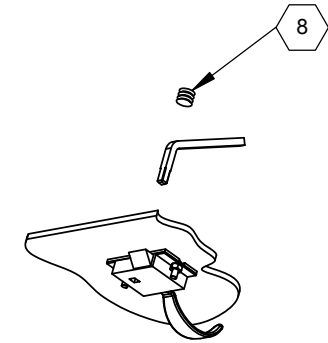
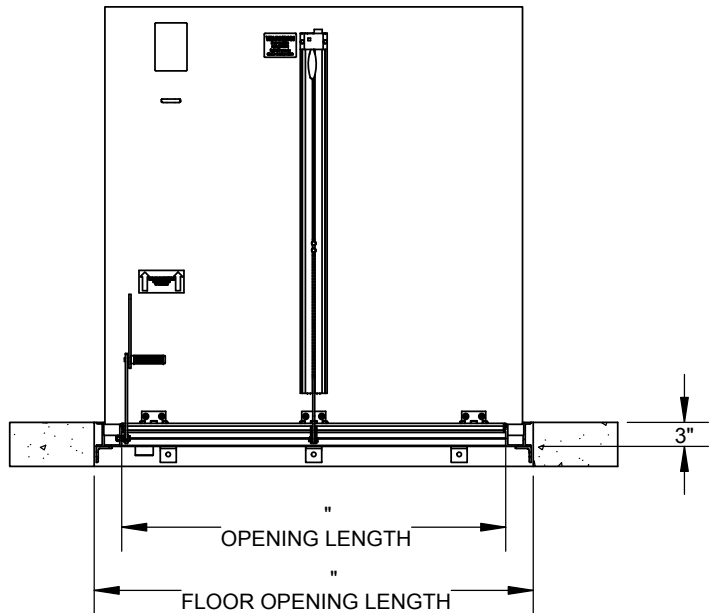
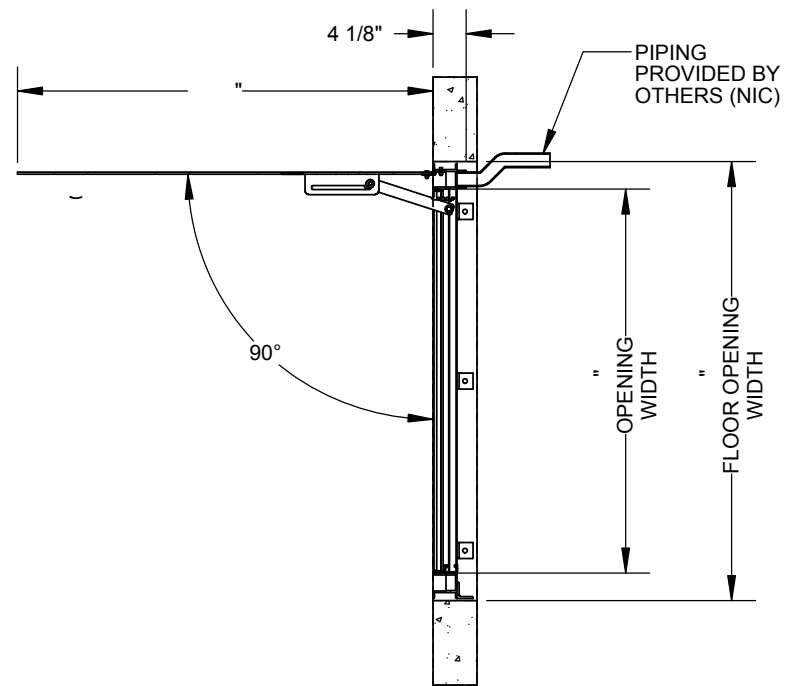
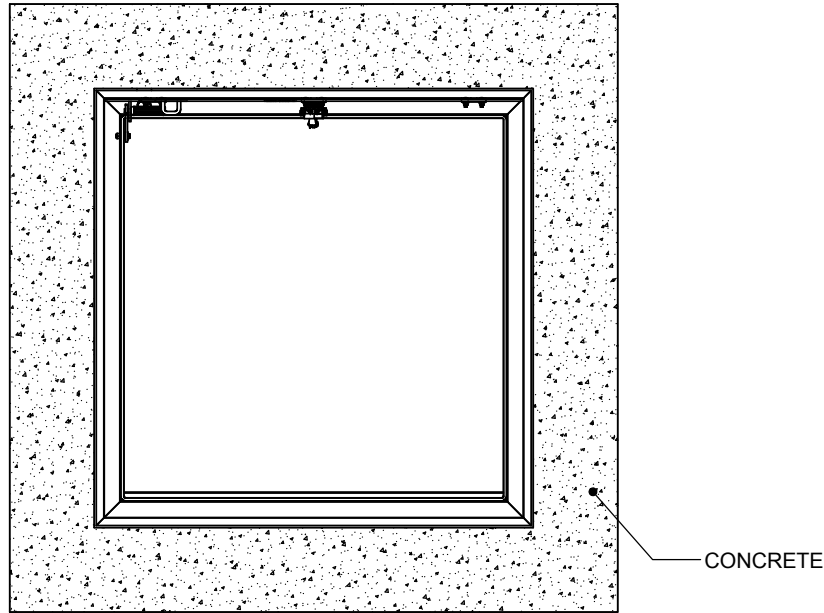
**SPECIFICATIONS:**

- ① **DOOR:**  
ALUMINUM 1/4" DIAMOND PLATE, MILL FINISH WITH A LIVE LOAD OF 300PSF AND MAX SPAN DEFLECTION OF L/150
- ② **FRAME:**  
ALUMINUM, 1/4" EXTRUSION, GRAY PRIMER FINISH ON EXTERIOR SURFACES THAT COME INTO CONTACT WITH CONCRETE
- ③ **HINGES:** TYPE 316 STAINLESS STEEL
- ④ **SLAM LATCH:**  
TYPE 316 STAINLESS STEEL WITH INSIDE LEVER HANDLE AND OUTSIDE REMOVABLE HANDLE
- ⑤ **COUNTER-BALANCE SPRING:**  
ENCLOSED, TYPE 17-7 SST SPRING
- ⑥ **HOLD-OPEN ARM:**  
TYPE 316 STAINLESS STEEL WITH RED VINYL GRIP HANDLE

- ⑦ **DRAINAGE COUPLING:** 1-1/2", FOR CONNECTION TO RUN
- ⑧ **FLUSH TYPE PLUG SEAL:** TYPE 316 STAINLESS STEEL
- ⑨ **GASKET:** EPDM AIR TIGHT GASKET
- ⑩ **ANCHOR:** ANGLE TABS WITH  $\phi$  1/2" MNTG HOLES PROVIDED

PROPRIETARY AND CONFIDENTIAL: THE INFORMATION CONTAINED IN THIS DRAWING IS THE SOLE PROPERTY OF BABCOCK-DAVIS. ANY REPRODUCTION IN PART OR AS A WHOLE WITHOUT THE WRITTEN PERMISSION OF BABCOCK-DAVIS IS PROHIBITED. THIS SHOP DRAWING MAY NOT BE AN ACTUAL REPRESENTATION OF THE FINAL PRODUCT.

PROJECT:			
ARCHITECT:			
CONTRACTOR:			
QTY:			
PART#:			
		TITLE: FD, Drainable, 300 PSF, Sngl Dr, Alum, Mill, Gray Primer, Bolt-In, SST Spring Asst, 316 SST Hdw, Odor Gasket, Slam Latch W/Hdl	
		9300 73rd Avenue North, Minneapolis, MN 55428	
NAME	DATE	SIZE	DWG. NO.
JPB	4/19/18	A	Babcock FD BFDDPA_X_SFL-BI ShpDr
RELEASED	TR	4/19/18	WEIGHT: 167.92
			REV A
			SHEET 1 OF 2



**SLAM LATCH DETAIL**

				TITLE: FD, Drainable, 300 PSF, Sngl Dr, Alum, Mill, Gray Primer, Bolt-In, SST Spring Asst, 316 SST Hdw, Odor Gasket, Slam Latch W/Hdl	
				9300 73rd Avenue North Minneapolis, MN 55428	
NAME	DATE	SIZE	DWG. NO.	REV	
DRAWN	JPB	4/19/18	A	Babcock FD BFDDPA_X_SFL-BI ShpDr	A
RELEASED	TR	4/19/18	WEIGHT:	SHEET 2 OF 2	

PROPRIETARY AND CONFIDENTIAL: THE INFORMATION CONTAINED IN THIS DRAWING IS THE SOLE PROPERTY OF BABCOCK-DAVIS. ANY REPRODUCTION IN PART OR AS A WHOLE WITHOUT THE WRITTEN PERMISSION OF BABCOCK-DAVIS IS PROHIBITED.