

Ø97 ÷ 7 5HC BG

- (F) 8CCF: ALUMINUM, 1/4" DIAMOND PLATE, MILL FINISH WITH A LIVE LOAD OF 300 PSF WITH A MAXIMUM DEFLECTION OF L/150
- (G) : F5A 9: ALUMINUM, 1/4" EXTRUSION, GRAY PRIMER FINISH ON EXTERIOR SURFACES THAT COME IN CONTACT WITH CONCRETE
- (H) : 9G TYPE 316 STAINLESS STEEL
- (I) G5A 6H7 <. TYPE 316 STAINLESS STEEL WITH INSIDE LEVER HANDLE AND OUTSIDE REMOVABLE HANDLE
- (i) 7 CI BH7165 6B7 9DF-B; . ENCLOSED, TYPE 17-7 SST SPRING
- (i) <C 8! C D9B 5FA . TYPE 316 STAINLESS STEEL WITH RED VINYL GRIP HANDLE

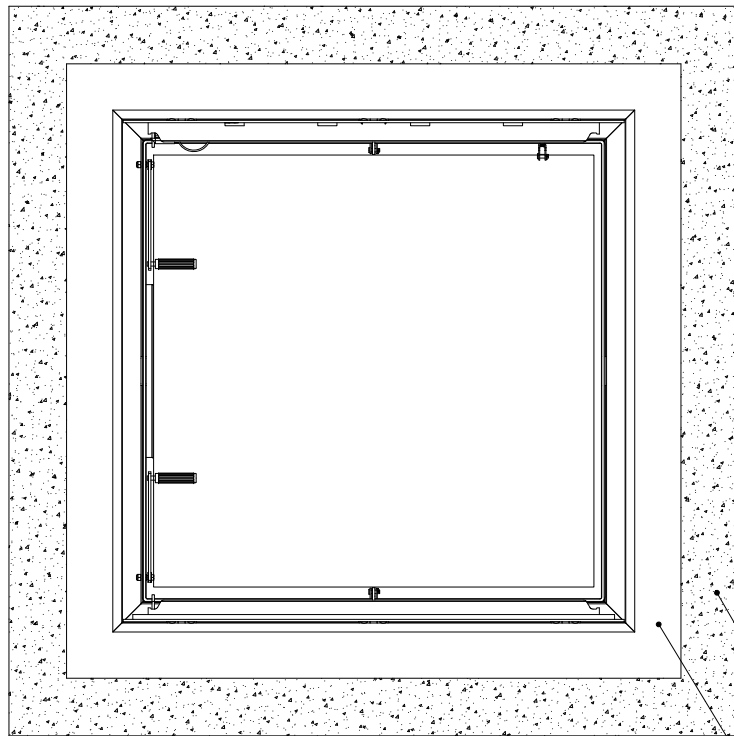
- (I) 8F5-B5; 97 CI D@B; . 1-1/2"
- (I) : @ G< HM9D@ ; 'G95@ TYPE 316 STAINLESS STEEL
- (J) ; 5G7 9H EPDM GASKET
- (F€) 'BI HF5-@ 6SWT @ WT > WVEÜCSA P > ÖVP ÁÜÖ
- (FF) '5 B7 <CF. ÁP ÖSÓA ÖÜÁ Y QP ÁEÁ T P VÓ P U SÓÁ ÜÜUX ÖÖÖ

PROPRIETARY AND CONFIDENTIAL: THE INFORMATION CONTAINED IN THIS DRAWING IS THE SOLE PROPERTY OF BABCOCK-DAVIS. ANY REPRODUCTION IN PART OR AS A WHOLE WITHOUT THE WRITTEN PERMISSION OF BABCOCK-DAVIS IS PROHIBITED. THIS SHOP DRAWING MAY NOT BE AN ACTUAL REPRESENTATION OF THE FINAL PRODUCT.

ÚÚURÖÖVK		
ÖÖPÖÖÖVK		
ÖÜP VÜÖVUÜK		
ÜVYK		
ÚÖÜVÁK		BB.....
babcockdavis - ' \$\$ + ' fX'5 j Ybi YBcftH A bbYUtc gZAB') (&		VQ'SÖK ÖÖÖ: aä a^ Á HEEÁÜÜÖ Öa ÁÖ: ÖÖ { ÖT a ÖÖ: aä Á: ä ^: ÖÖ ÖÖ É ÜÜVÁJ ä * ÁE • ÖÁ FÍ ÁÜÜV P ä, ÖÜ ä ÁÖ a \ ^ c
p CE Ö ÖCE/Ö	ÚÖÖ ÖY ÖÖÁÜÉ	UOX
ÖÜÖY P	RÜÖ e ÖÖ Ö	CE
ÚÖSÖÖÜÖÖ	VÜ e ÖÖ Ö	Y ÖÖP VÍ
		ÜPÖÖV/ÁÜÖG

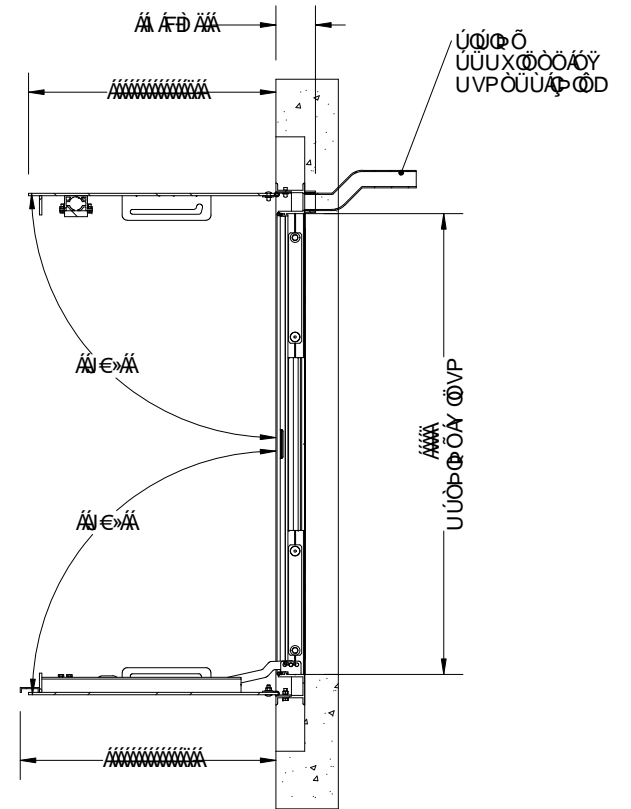
G

F

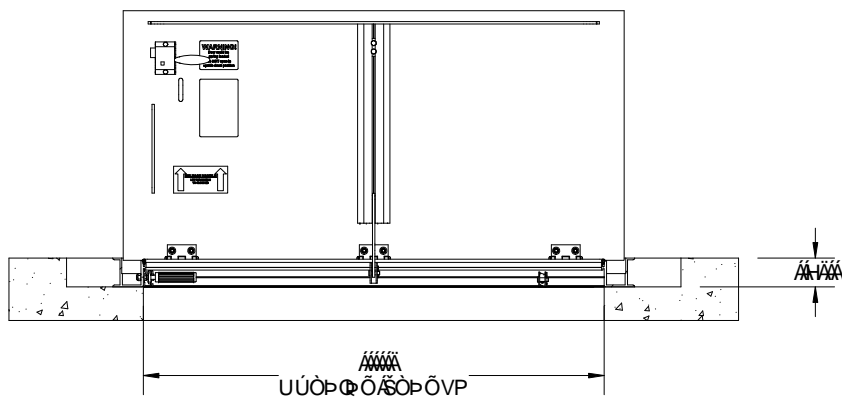


ΟΥΡΟΨΩΝΟ

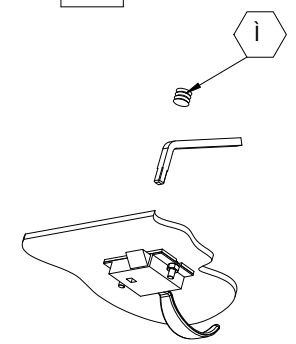
ΟΨΕΣΑΙΥΨΩΝΟ



UΨΩΝΟΨΩΝΟ



UΨΩΝΟΨΩΝΟ



ΥΨΩΝΟΨΩΝΟ

		ΥΨΩΝΟ ΨΩΝΟ ΟΨΕΣΑΙΥΨΩΝΟ ΟΨΕΣΑΙΥΨΩΝΟ	
-' \$\$+' fX'5 j Ybi YBcfH A]bbYUdc]gZAB') (&	ΥΨΩΝΟ ΨΩΝΟ ΟΨΕΣΑΙΥΨΩΝΟ	ΥΨΩΝΟ ΨΩΝΟ ΟΨΕΣΑΙΥΨΩΝΟ	ΥΨΩΝΟ ΨΩΝΟ ΟΨΕΣΑΙΥΨΩΝΟ
ΟΨΕΣΑΙΥΨΩΝΟ ΥΨΩΝΟΨΩΝΟ	ΡΥΟ ΥΨΩΝΟΨΩΝΟ	ΟΨΕΣΑΙΥΨΩΝΟ ΥΨΩΝΟΨΩΝΟ	ΥΨΩΝΟ ΨΩΝΟ ΟΨΕΣΑΙΥΨΩΝΟ

PROPRIETARY AND CONFIDENTIAL: THE INFORMATION CONTAINED IN THIS DRAWING IS THE SOLE PROPERTY OF BABCOCK-DAVIS. ANY REPRODUCTION IN PART OR AS A WHOLE WITHOUT THE WRITTEN PERMISSION OF BABCOCK-DAVIS IS PROHIBITED. THIS SHOP DRAWING MAY NOT BE AN ACTUAL REPRESENTATION OF THE FINAL PRODUCT.

G

F