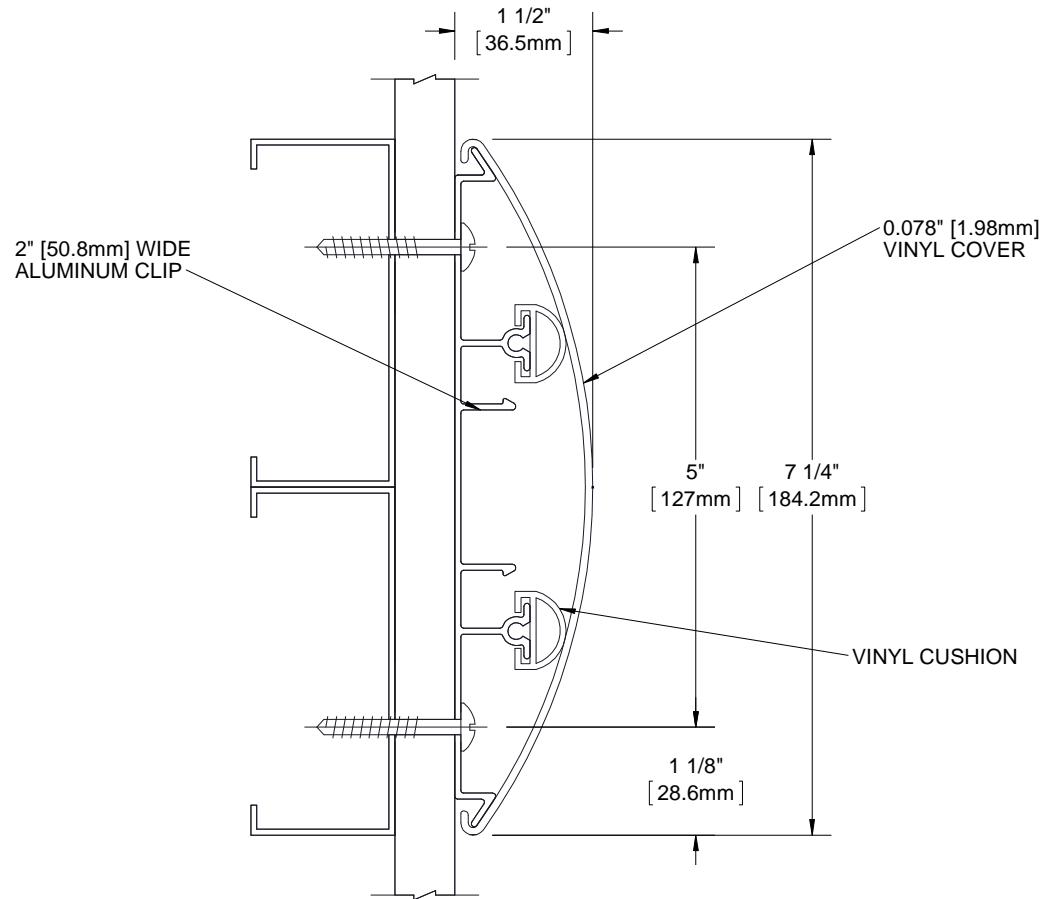



QUANTITY

COLOR



NOTES:

- PROFILE:** HIGH IMPACT VINYL ACRYLIC EXTRUSION LOCKED IN PLACE, NOMINAL 0.078" (1.98mm) THICK
- CLASS A FIRE RATING,** TESTED TO ASTM E84
- RETAINER:** 6063 T-5 ALUMINUM RETAINER CLIP, NOMINAL 0.060" (1.52mm) THICK X 2" WIDE
- EXTRUSION:** PEBBLE GRAIN FINISH WHICH CONTAINS EPA REGISTERED MICRO-CHEK ANTIMICROBIAL AGENT
- VINYL CRASH RAIL LENGTH:** PROVIDED IN 20' CONTINUOUS SECTIONS
- END CAP:** #BCRVS7C-ECT, **OUTSIDE CORNER:** #BCRVS7C-OCT, **135 DEG OUTSIDE CORNER:** #BCRVS7C-OC135, **SPLICE KIT:** #BCRVS7E-SK
- FASTENERS AND PARTITION COMPONENTS PROVIDED BY OTHERS.**

PROJECT:											
ARCHITECT:											
CONTRACTOR:											
 9300 73rd Avenue North Brooklyn Park, MN 55428		TITLE: 7" VINYL CRASH RAIL CRESCENT SHAPE, SURFACE MOUNT ECONOMY 2" MOUNTING CLIP									
		<table border="1"> <tr> <th>NAME</th> <th>DATE</th> <th>SIZE</th> <th>DWG. NO.</th> <th>REV</th> </tr> <tr> <td>MDS</td> <td>04JUN13</td> <td>A</td> <td>BCRVS7E</td> <td>A</td> </tr> </table>	NAME	DATE	SIZE	DWG. NO.	REV	MDS	04JUN13	A	BCRVS7E
NAME	DATE	SIZE	DWG. NO.	REV							
MDS	04JUN13	A	BCRVS7E	A							
RELEASED	PGE	04JUN13	WEIGHT: 1.37 lbs/ft	SHEET 1 OF 1							

PROPRIETARY AND CONFIDENTIAL: THE INFORMATION CONTAINED IN THIS DRAWING IS THE SOLE PROPERTY OF BABCOCK-DAVIS. ANY REPRODUCTION IN PART OR AS A WHOLE WITHOUT THE WRITTEN PERMISSION OF BABCOCK-DAVIS IS PROHIBITED.