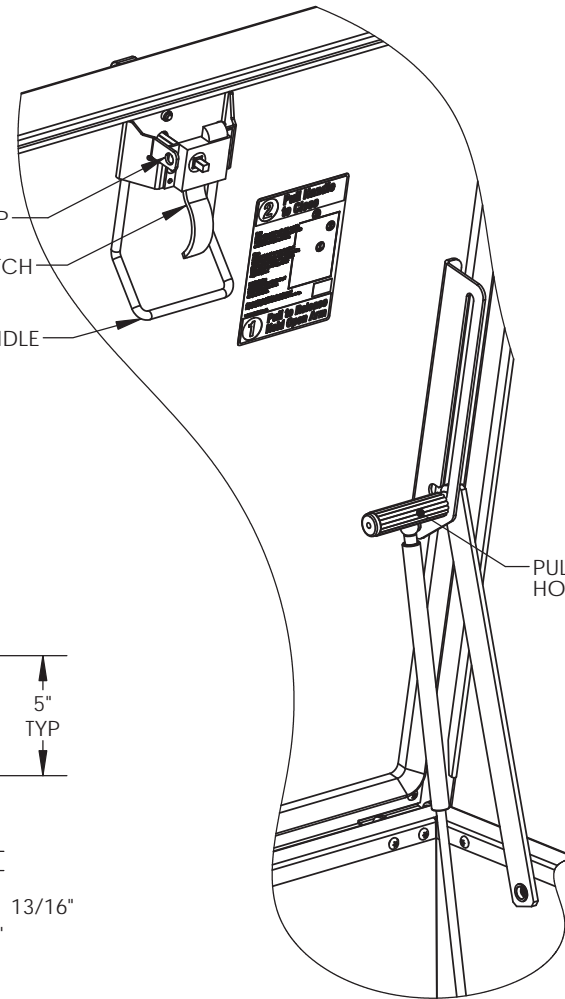


INTERNAL
PADLOCK HASP

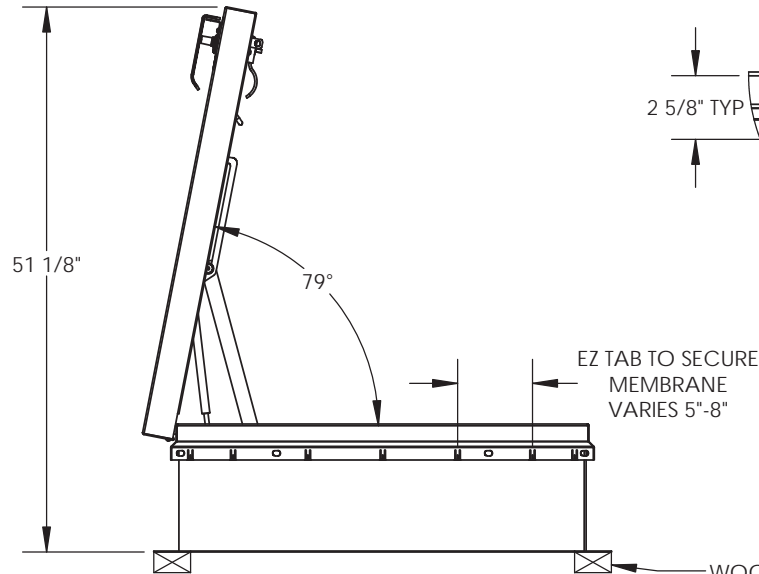
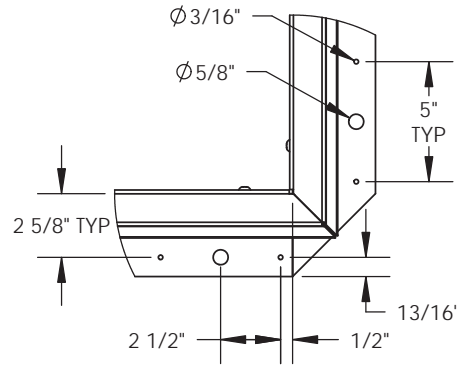
SLAM LATCH

PULL HANDLE



PULL TO RELEASE
HOLD OPEN ARM.

DETAIL C
SCALE 1 : 8



WOOD, CONCRETE, OTHER
MATERIAL FOR MOUNTING
BY OTHERS (NIC)

babcockdavis			TITLE: BRHUA36X36S1T Roof Hatch Personnel II, 36x36, S Dr, Alum, Mill, Sngl Wall Curb		
9300 73rd Avenue North Brooklyn Park, MN 55428			SIZE A	DWG. NO. BA3636	REV -
DRAWN SGS	DATE 04/01/15	RELEASED IMT	WEIGHT: 68.5 lbs	SHEET 2 OF 2	