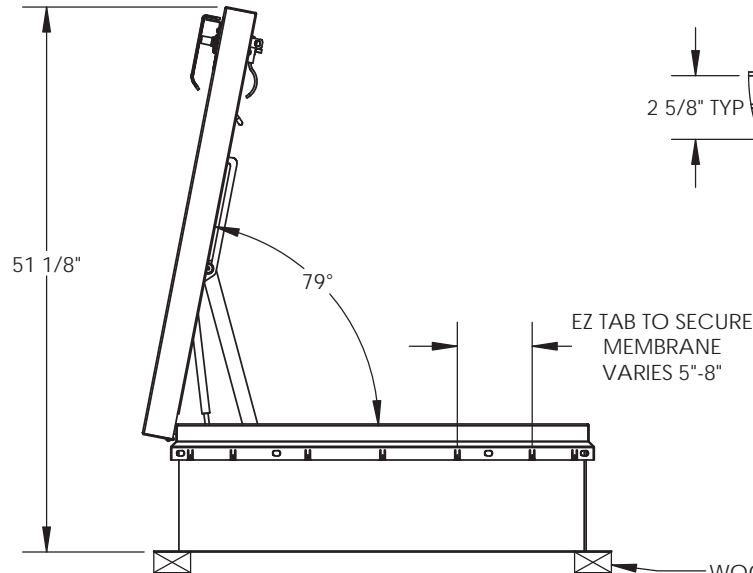
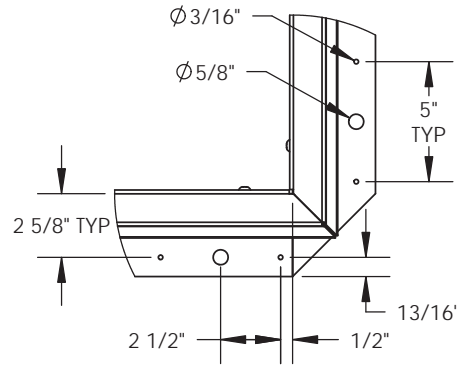


DETAIL C
SCALE 1 : 8



WOOD, CONCRETE, OTHER MATERIAL FOR MOUNTING BY OTHERS (NIC)



9300 73rd Avenue North
Brooklyn Park, MN 55428

TITLE:
BRHUA36X30S1T Roof Hatch
Personnel II, 36x30, S Dr,
Alum, Mill, Sngl Wall Curb

	NAME	DATE	SIZE	DWG. NO.	REV
DRAWN	SGS	04/01/15	A	BA3630	-
RELEASED	IMT	04/01/15	WEIGHT: 63 lbs	SHEET 2 OF 2	