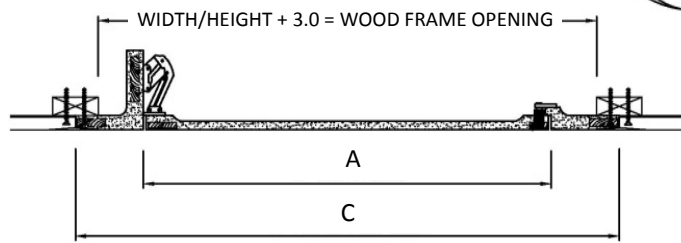
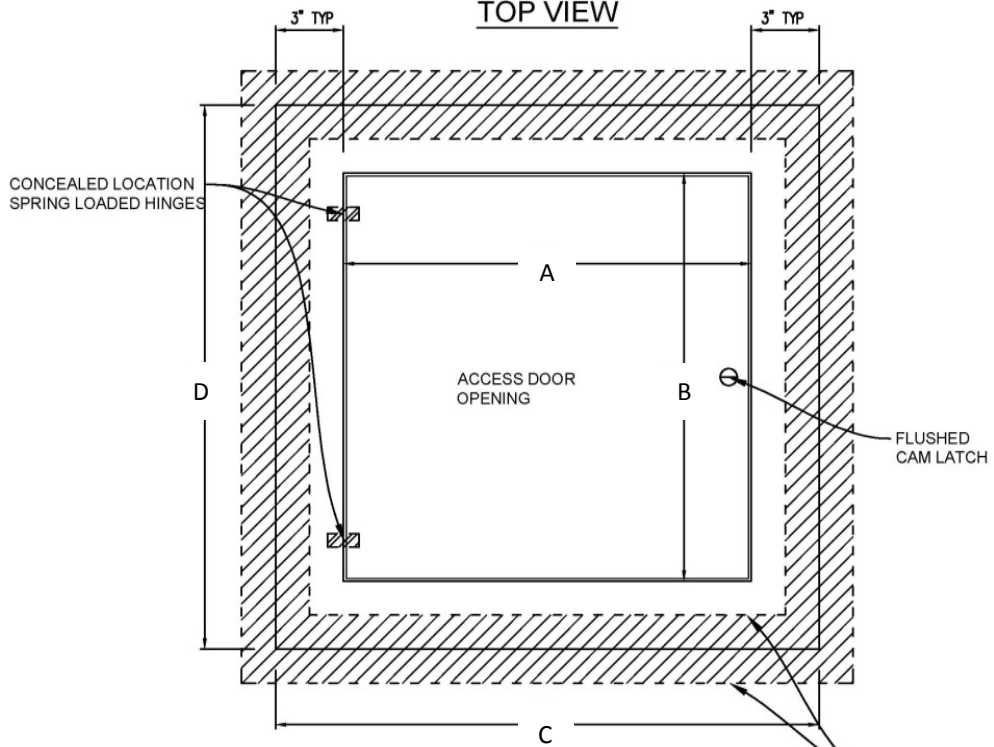
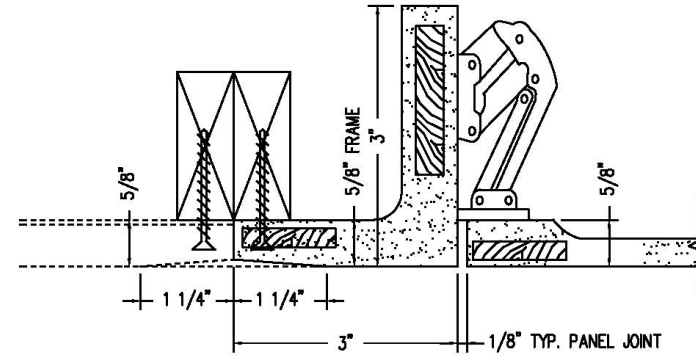
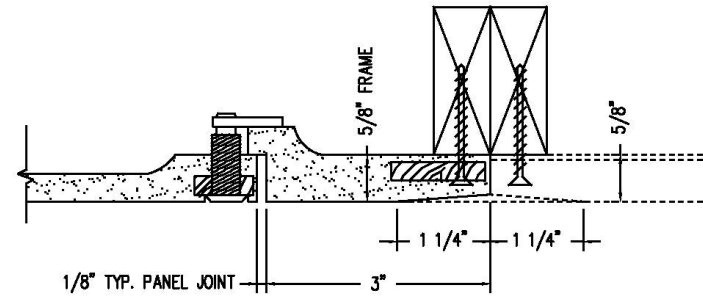


**TOP VIEW**



**SECTION VIEW**



**MATERIALS/TECHNICAL DATA:**

- High Density Gypsum Cement Plaster, Natural White
- Post-Consumer Recycled Glass (70% by volume)
- Multi-layered Fiberglass Mat
- Plywood Embedment
- Flush Cam Latch
- Concealed Spring Hinge, (2)

**OPTIONS:**

- 1/2" X 1/8" Neoprene Gasket

QTY	PART #	DIM A (DOOR WIDTH)	DIM B (DOOR HEIGHT)	DIM C (DRYWALL OPENING WIDTH)	DIM D (DRYWALL OPENING HEIGHT)
	GFRSC-0909	9.0"	9.0"	15.0"	15.0"
	GFRSC-1212	12.0"	12.0"	18.0"	18.0"
	GFRSC-1616	16.0"	16.0"	22.0"	22.0"
	GFRSC-1818	18.0"	18.0"	24.0"	24.0"

PROJECT:			
ARCHITECT:			
CONTRACTOR:			
QTY:			
PART#:			
 9300 73rd Avenue North Brooklyn Park, MN 55428		TITLE:	
NAME	DATE	SIZE	DWG. NO.
RELEASED		A	
			REV -
			SHEET 1