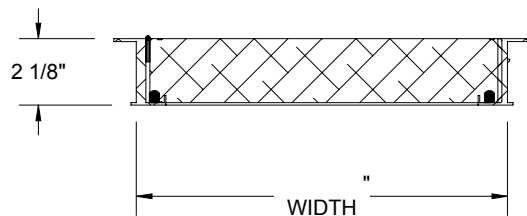
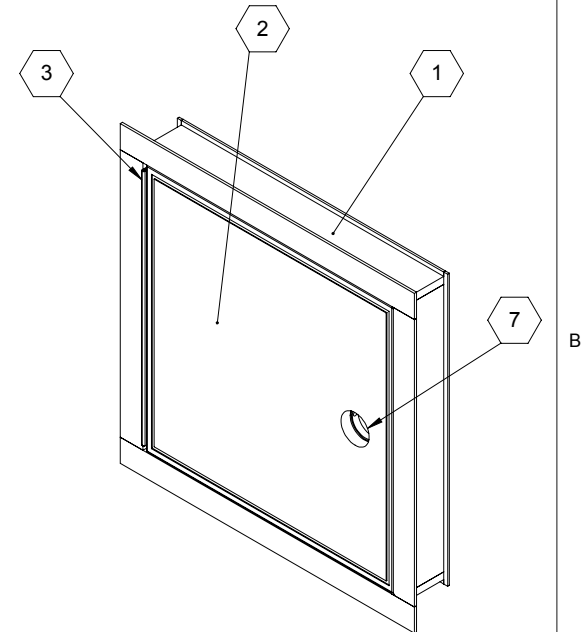


SECTION A-A



SECTION B-B

ROUGH OPENING: " X "
 CLEAR OPENING: " X "
 DEGREE OF OPENING: °
 # LATCHING POINTS:

NOTES:

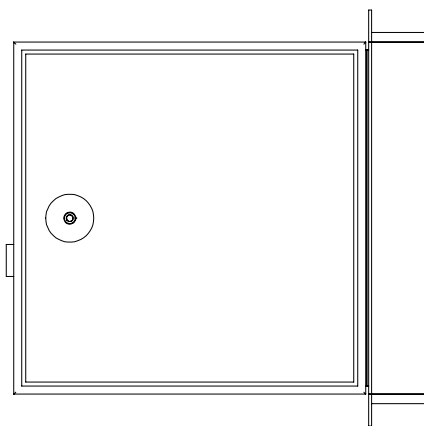
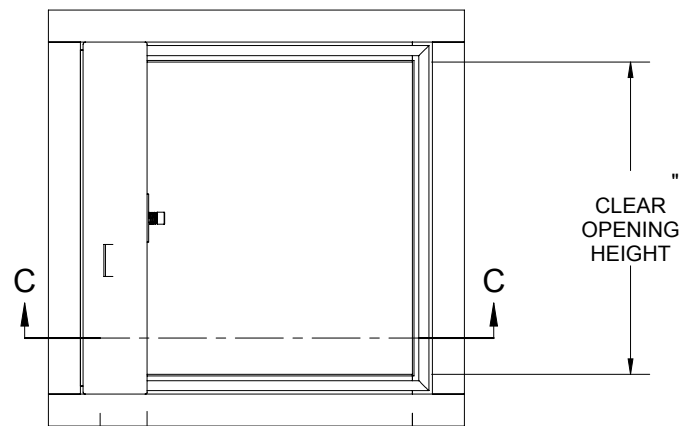
- ① **FRAME:** 6063-T5 Ext Aluminum, Mill Finish
- ② **DOOR:**
- ③ **HINGE:**
- ④ **GASKET:** Coextruded PVC Leaf, Continuous Four Sides
- ⑤ **INSULATION:** Foam Insulation, 2-1/4lb Density, 12 R-Value
- ⑥ **LATCH:** No Latch
- ⑦ **LOCK:** Mortise Prep for 1 5/32"-32 thread cylinder

PROPRIETARY AND CONFIDENTIAL: THE INFORMATION CONTAINED IN THIS DRAWING IS THE SOLE PROPERTY OF BABCOCK-DAVIS. ANY REPRODUCTION IN PART OR AS A WHOLE WITHOUT THE WRITTEN PERMISSION OF BABCOCK-DAVIS IS PROHIBITED.

| | | | |
|--|------|----------------|--------------|
| PROJECT: | | | |
| ARCHITECT: | | | |
| CONTRACTOR: | | | |
| QTY: | | | |
| PART#: | | TITLE: | |
| 9300 73rd Avenue North, Brooklyn Park, MN 55428 | | | |
| | | | |
| NAME | DATE | SIZE | DWG. NO. |
| DRAWN | | A | |
| RELEASED | | WEIGHT: VARIES | SHEET 1 OF 2 |

B

B



"
CLEAR OPENING WIDTH
"
"
CLEAR OPENING WIDTH
(DOOR REMOVED)
"

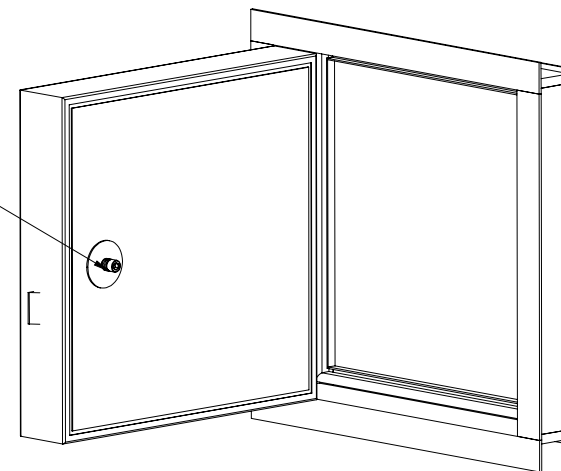
"
CLEAR
OPENING
HEIGHT
"

1"

GASKET

DETAIL D
SCALE 1 : 3

INTERIOR
RELEASE

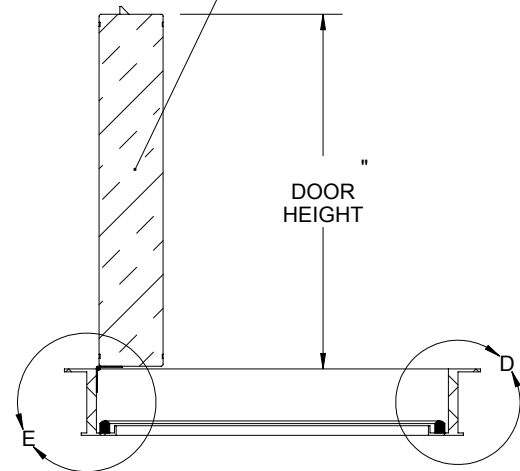


INSULATION

"
DOOR
HEIGHT
"

CONTINUOUS
HINGE

DETAIL E
SCALE 1 : 3



A

A

| | | | | | |
|---|------|----------------|----------|--------------|--|
| PART#: | | TITLE: | | | |
| babcockdavis [®] | | | | | |
| 9300 73rd Avenue North Brooklyn Park, MN 55428 | | | | | |
| NAME | DATE | SIZE | DWG. NO. | REV | |
| DRAWN | | A | | A | |
| RELEASED | | WEIGHT: VARIES | | SHEET 2 OF 2 | |