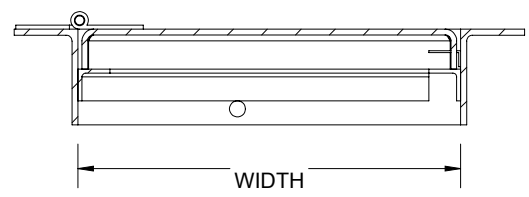
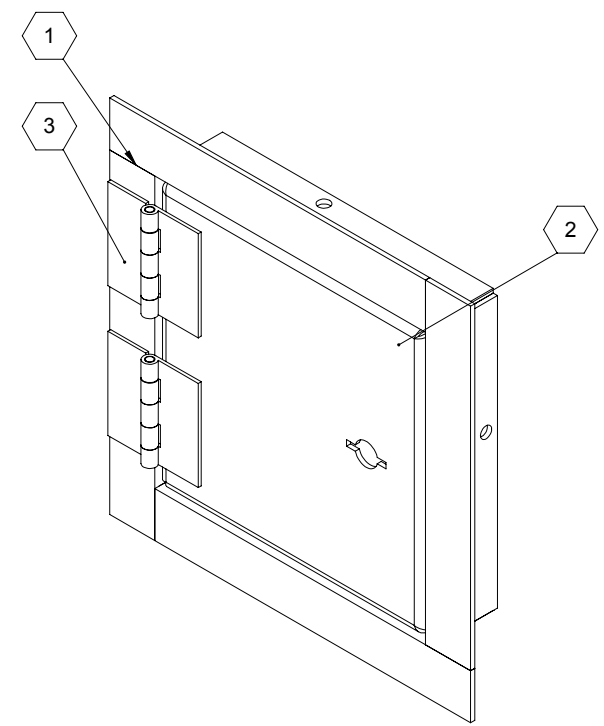


SECTION A-A



SECTION B-B

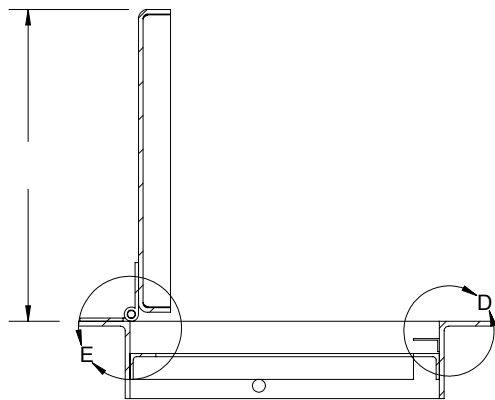
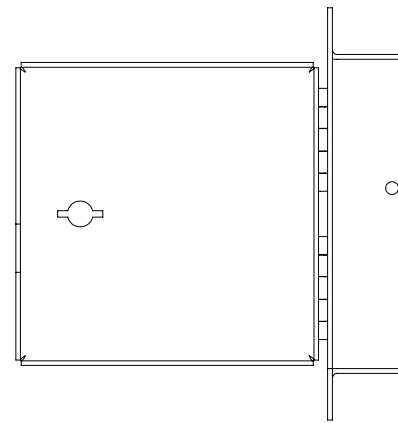
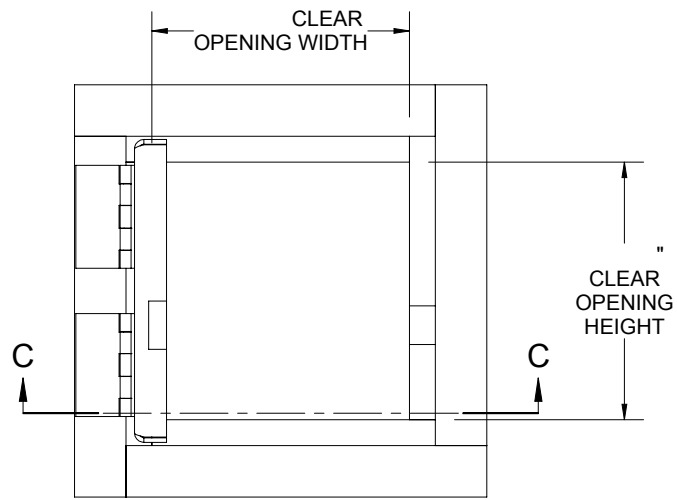
ROUGH OPENING: X  
 CLEAR OPENING: X  
 DEGREE OF OPENING: X

NOTES:

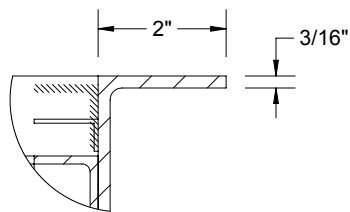
- ① **FRAME:** STEEL 2" X 3" X 3/16" ANGLE, 2" X 3" STEEL FRAME
- ② **DOOR:** CRS 7 GA
- ③ **HINGE:** HEAVY DUTY BUTT HINGES
- ④ **LOCK:** DETENTION PREP

PROJECT:			
ARCHITECT:			
CONTRACTOR:			
QTY:			
PART#:			
		TITLE:	
		9300 73rd Avenue North Brooklyn Park, MN 55428	
NAME	DATE	SIZE	DWG. NO.
DRAWN		A	BTSD ShpDr
RELEASED		WEIGHT: VARIES	
			REV A
			SHEET 1 OF 2

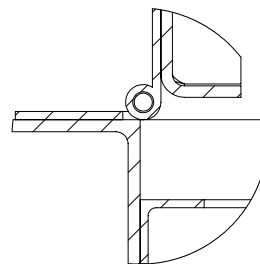
PROPRIETARY AND CONFIDENTIAL: THE INFORMATION CONTAINED IN THIS DRAWING IS THE SOLE PROPERTY OF BABCOCK-DAVIS. ANY REPRODUCTION IN PART OR AS A WHOLE WITHOUT THE WRITTEN PERMISSION OF BABCOCK-DAVIS IS PROHIBITED. ©2020 BABCOCK-DAVIS, INC.



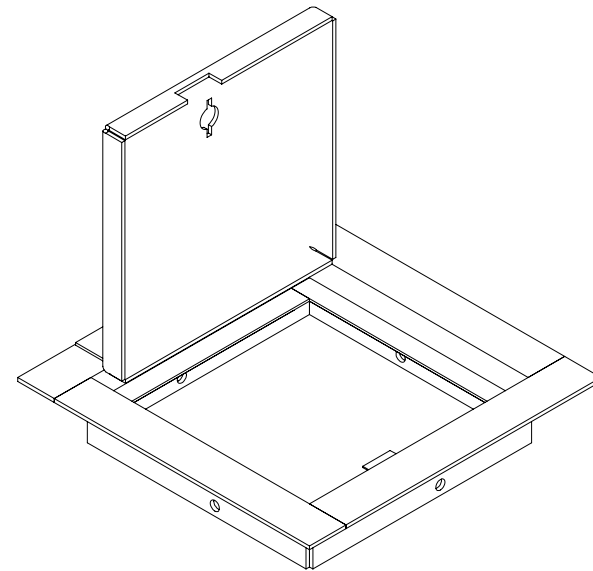
SECTION C-C



DETAIL D  
SCALE 1 : 3



DETAIL E  
SCALE 1 : 3



9300 73rd Avenue North  
Brooklyn Park, MN 55428

TITLE:

NAME	DATE	SIZE	DWG. NO.	REV
DRAWN		A	BTSD ShpDr	A
RELEASED		WEIGHT: VARIES		SHEET 2 OF 2