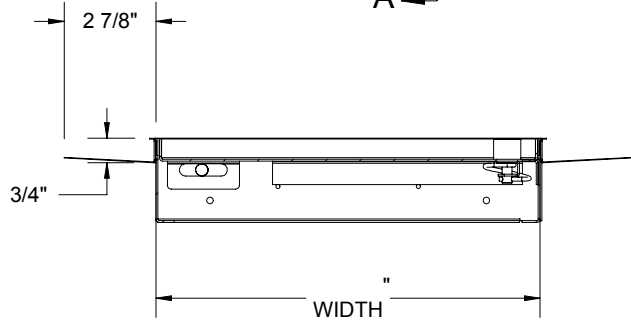
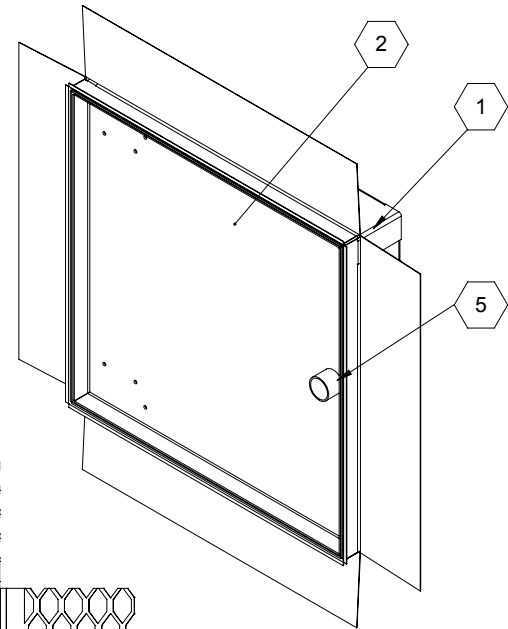


SECTION A-A



SECTION B-B

ROUGH OPENING: " X " X
 CLEAR OPENING: " X " X
 DEGREE OF OPENING: 100°
 CAM QTY: Latch Side
 Top/Bottom Side



DETAIL D
PLASTER BEAD DETAIL
SCALE 1 : 4

PLASTER LATHE
IN PAN

NOTES:

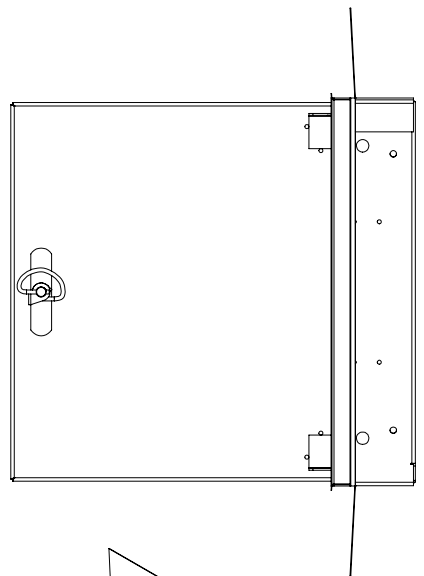
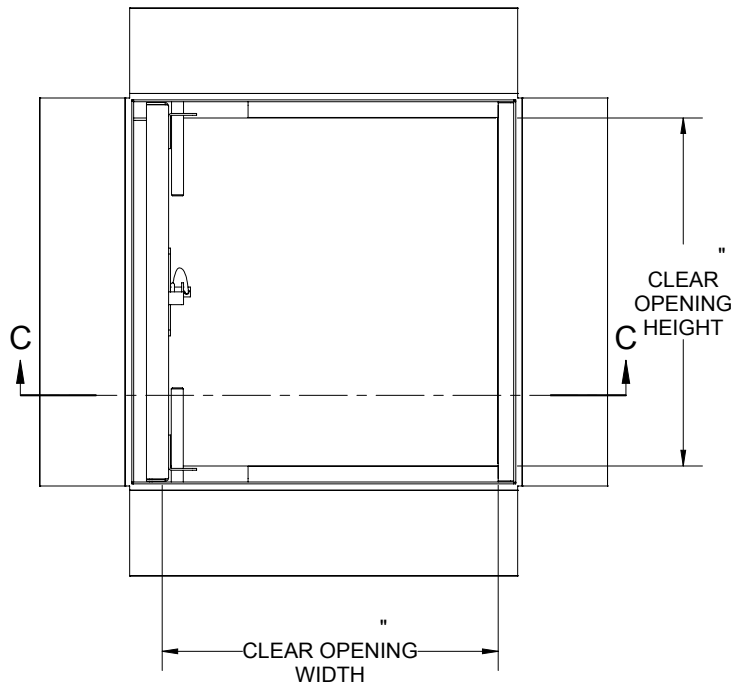
- ① FRAME:
- ② DOOR:
- ③ FINISH:
- ④ HINGE: Concealed Rod Hinge
- ⑤ LATCH:

PROPRIETARY AND CONFIDENTIAL: THE INFORMATION CONTAINED IN THIS DRAWING IS THE SOLE PROPERTY OF BABCOCK-DAVIS. ANY REPRODUCTION IN PART OR AS A WHOLE WITHOUT THE WRITTEN PERMISSION OF BABCOCK-DAVIS IS PROHIBITED.

PROJECT:				
ARCHITECT:				
CONTRACTOR:				
QTY:				
PART#:				
TITLE:				
babcockdavis [®]				
9300 73rd Avenue North Brooklyn Park, MN 55428				
NAME	DATE	SIZE	DWG. NO.	REV
DRAWN		A		-
RELEASED				

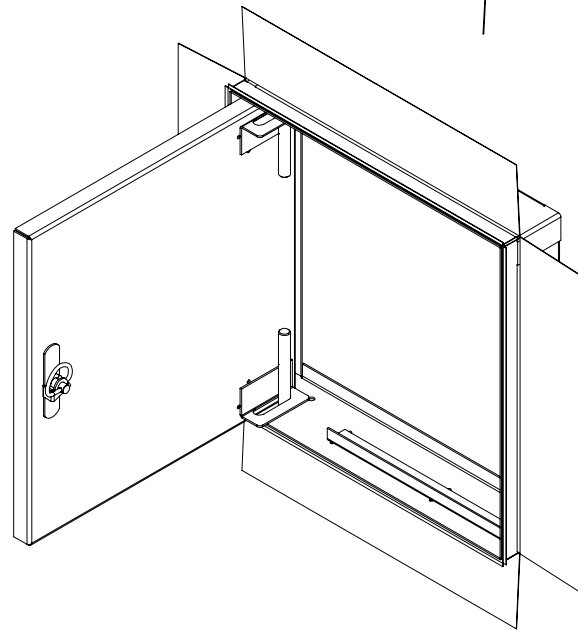
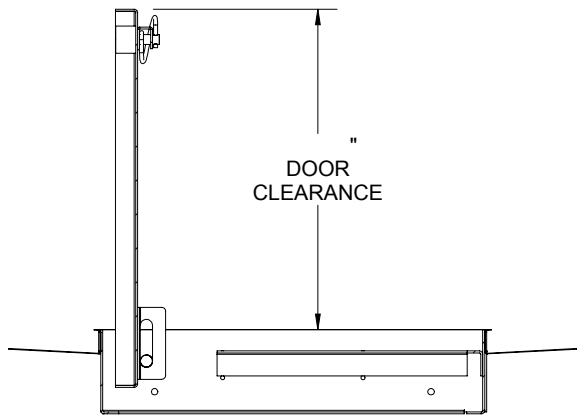
B

B



A

A



PART#:			TITLE:		
babcockdavis [®]					
9300 73rd Avenue North Brooklyn Park, MN 55428					
NAME	DATE	SIZE	DWG. NO.	REV	
DRAWN		A		-	
RELEASED				SHEET 2 OF 2	

PROPRIETARY AND CONFIDENTIAL: THE INFORMATION CONTAINED IN THIS DRAWING IS THE SOLE PROPERTY OF BABCOCK-DAVIS. ANY REPRODUCTION IN PART OR AS A WHOLE WITHOUT THE WRITTEN PERMISSION OF BABCOCK-DAVIS IS PROHIBITED.