

SECTION A-A

SECTION B-B

ROUGH OPENING: " X " "
 CLEAR OPENING: " X " "
 DEGREE OF OPENING: °
 CAM QTY: Latch Side
 Top/Bottom Side

NOTES:

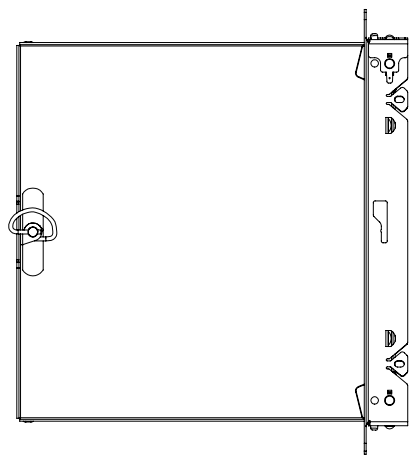
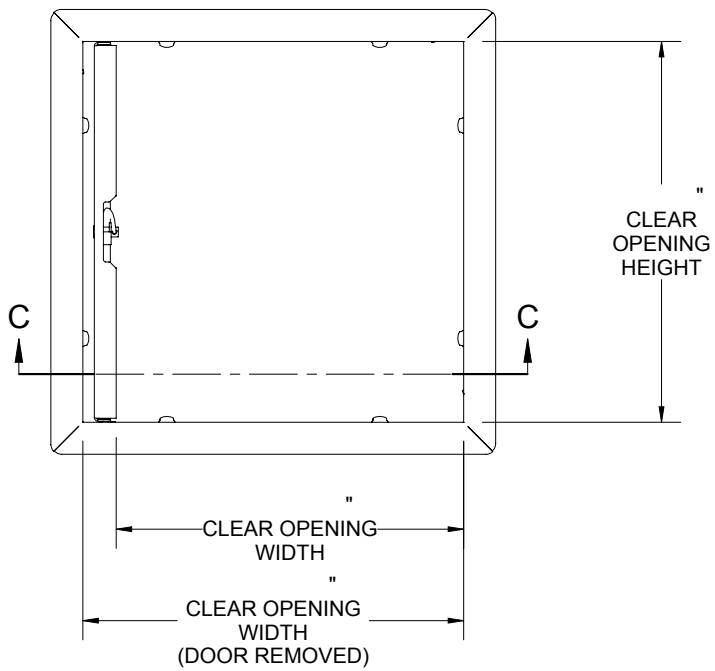
- ① **FRAME:** 16 Ga Steel, 1" Flange
- ② **DOOR:** 16 Ga Steel
- ③ **FINISH:** White Pwd
- ④ **HINGE:**
- ⑤ **LATCH:**
- ⑥ **LOCK:** No Lock

PROPRIETARY AND CONFIDENTIAL: THE INFORMATION CONTAINED IN THIS DRAWING IS THE SOLE PROPERTY OF BABCOCK-DAVIS. ANY REPRODUCTION IN PART OR AS A WHOLE WITHOUT THE WRITTEN PERMISSION OF BABCOCK-DAVIS IS PROHIBITED.

| | | | |
|---|------|--------|--------------|
| PROJECT: | | | |
| ARCHITECT: | | | |
| CONTRACTOR: | | | |
| QTY: | | | |
| PART#: | | TITLE: | |
| 9300 73rd Avenue North Brooklyn Park, MN 55428 | | | |
| | | | |
| NAME | DATE | SIZE | DWG. NO. |
| DRAWN | | A | |
| RELEASED | | | |
| | | | REV - |
| | | | SHEET 1 OF 2 |

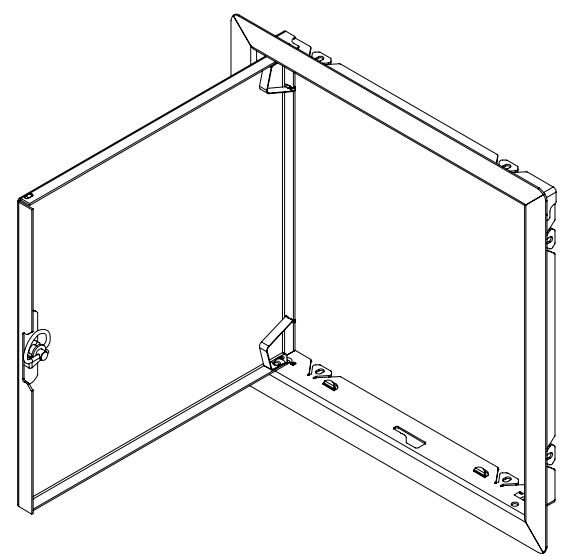
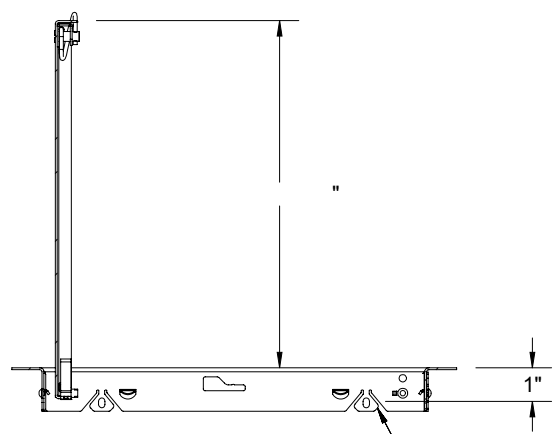
B

B



A

A



| | | | | | |
|---|------|--------|----------|-----|--|
| PART#: | | TITLE: | | | |
| | | | | | |
| 9300 73rd Avenue North Brooklyn Park, MN 55428 | | | | | |
| NAME | DATE | SIZE | DWG. NO. | REV | |
| DRAWN | | A | | - | |
| RELEASED | | | | | |

PROPRIETARY AND CONFIDENTIAL: THE INFORMATION CONTAINED IN THIS DRAWING IS THE SOLE PROPERTY OF BABCOCK-DAVIS. ANY REPRODUCTION IN PART OR AS A WHOLE WITHOUT THE WRITTEN PERMISSION OF BABCOCK-DAVIS IS PROHIBITED.