

ROUGH OPENING: " X " "
CLEAR OPENING: " X " "
DEGREE OF OPENING: °

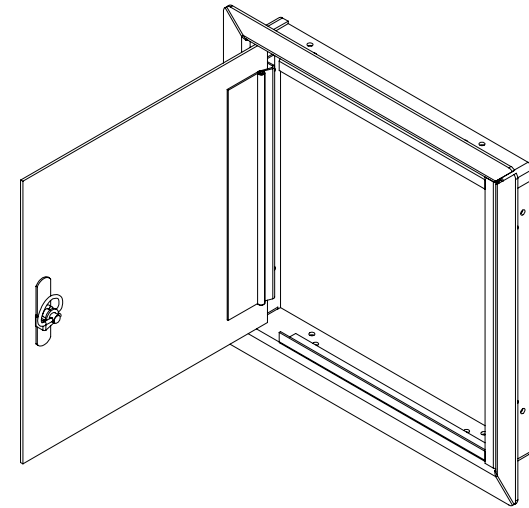
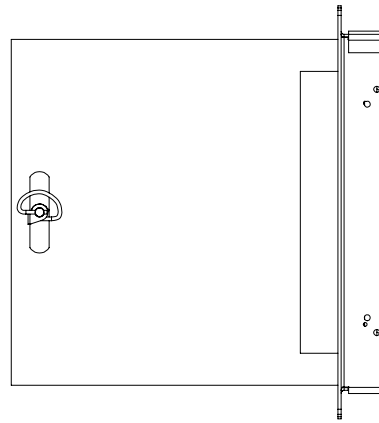
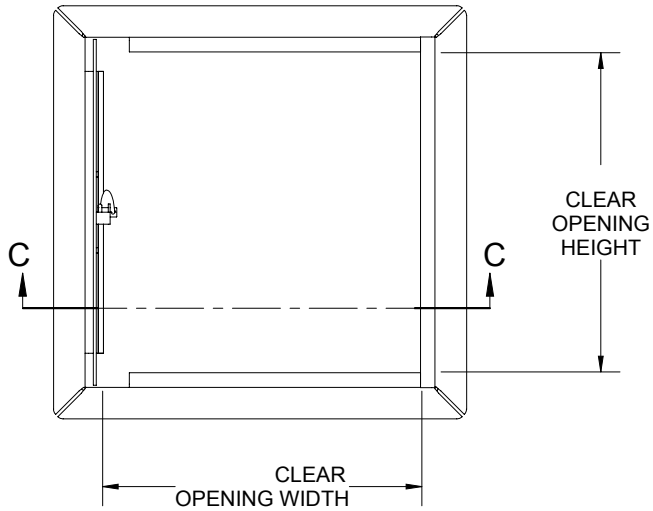
NOTES:

- ① **FRAME:**
- ② **DOOR:**
- ③ **FINISH:**
- ④ **HINGE:** CONCEALED CONTINUOUS PIANO HINGE
- ⑤ **LATCH:**
- ⑥ **LOCK:** NO LOCK

PROJECT:			
ARCHITECT:			
CONTRACTOR:			
QTY:			
PART#:			
		TITLE:	
		9300 73rd Avenue North Brooklyn Park, MN 55428	
NAME	DATE	SIZE	DWG. NO.
DRAWN		A	BMT ShpDr
RELEASED		WEIGHT: VARIES	

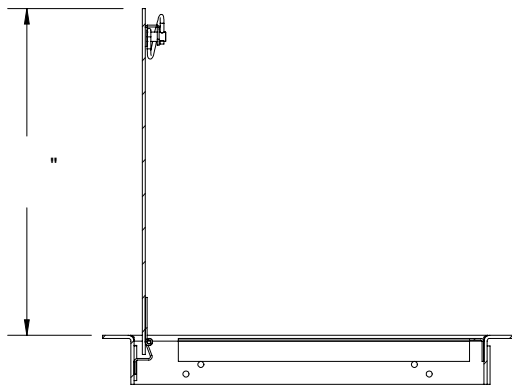
B

B



A

A



SECTION C-C



9300 73rd Avenue North
Brooklyn Park, MN 55428

TITLE:

NAME	DATE	SIZE	DWG. NO.	REV
DRAWN		A	BMT ShpDr	-
RELEASED		WEIGHT: VARIES	SHEET 2 OF 2	

PROPRIETARY AND CONFIDENTIAL: THE INFORMATION CONTAINED IN THIS DRAWING IS THE SOLE PROPERTY OF BABCOCK-DAVIS. ANY REPRODUCTION IN PART OR AS A WHOLE WITHOUT THE WRITTEN PERMISSION OF BABCOCK-DAVIS IS PROHIBITED. ©2020 BABCOCK-DAVIS, INC.