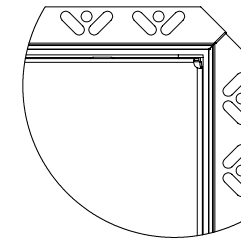
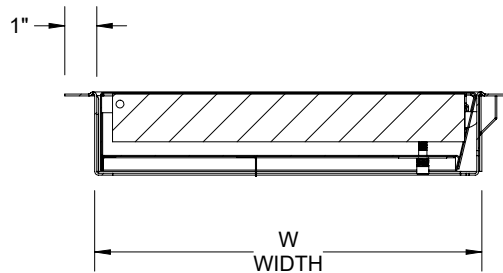
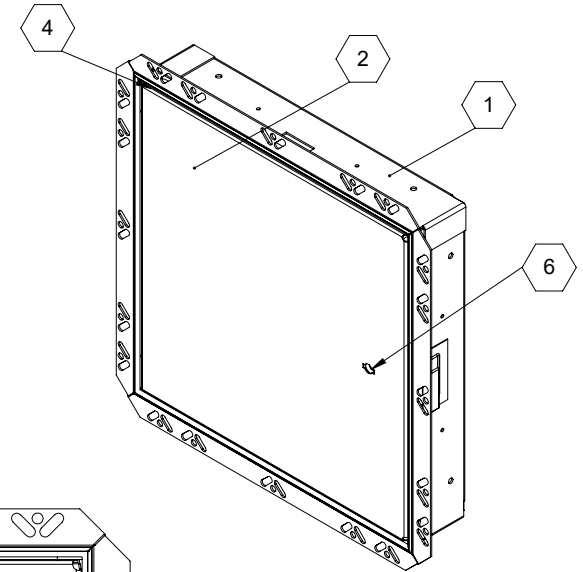


SECTION A-A



DETAIL D
DRYWALL BEAD DETAIL
SCALE 1 : 4



SECTION B-B

ROUGH OPENING: $W + 0.25" \times H + 0.25"$
CLEAR OPENING: $W - 3.25 \times H - 1.125$
DEGREE OF OPENING: 120°

HORIZONTAL
 1 HR WOOD-FRAME CONSTRUCTION
 3 HR NON-COMBUSTABLE CONSTRUCTION
VERTICAL
 1-1/2 HOUR "B" LABEL
 ON SIZES UP TO AND INCLUDING 24" W X 36" H

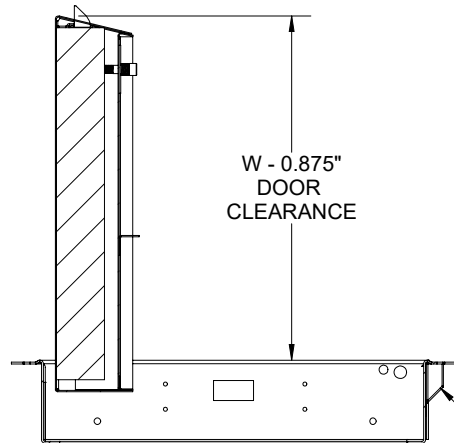
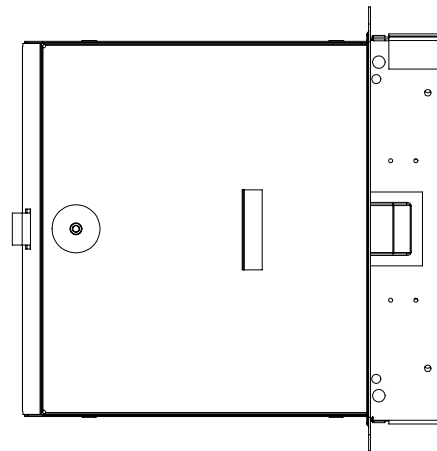
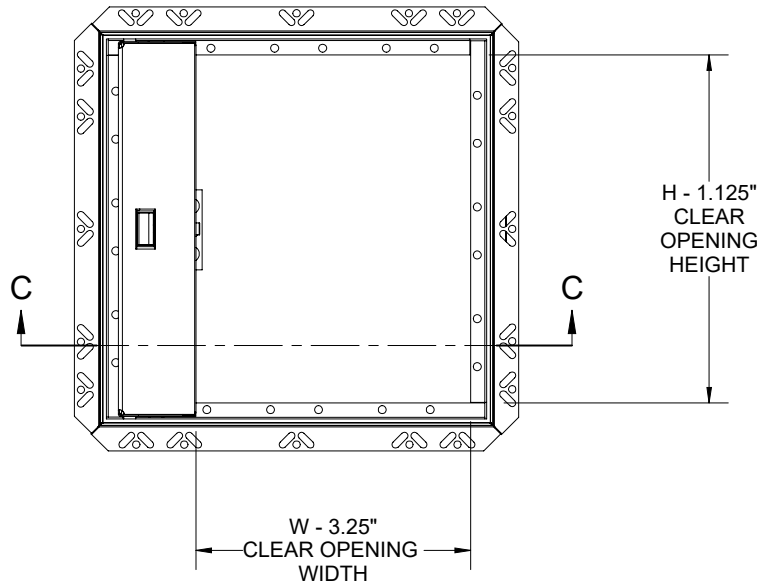
NOTES:

- ① **FRAME:** Cold Rolled Steel 16 ga, Drywall Bead
- ② **DOOR:** Cold Rolled Steel, 20 Ga
- ③ **FINISH:** White Powder Coat
- ④ **HINGE:** Concealed Pin Hinge
- ⑤ **SECONDARY LATCH:** Varies
- ⑥ **LOCK:** Knurled Knob/Keyed Slam Latch
- ⑦ **INSULATION:** 2" Thick Fire Rated Mineral Wool 8 R-Value



C **UL** US
LISTED

PROJECT:				
ARCHITECT:				
CONTRACTOR:				
QTY:				
PART#:	BIWK_			
babcockdavis 9300 73rd Avenue North Brooklyn Park, MN 55428	TITLE: Access Door, Fire-rated, WxH, Insulated CRS, Flush Dr, Drywall Flg			
NAME	DATE	SIZE	DWG. NO.	REV
DRAWN		A	BIWK ShpDr	-
RELEASED		WEIGHT: VARIES	SHEET 1 OF 2	

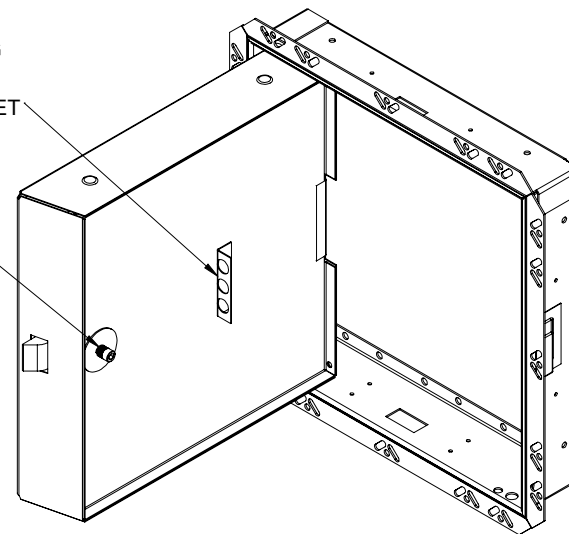


SECTION C-C

LATCH BOLT COVER
EXTENDS 1/2" BEYOND
OUTSIDE EDGE OF FRAME

SPRING
MOUNT
BRACKET

INTERIOR
RELEASE
MECHANISM



			TITLE: Access Door, Fire-rated, WxH, Insulated CRS, Flush Dr, Drywall Flg		
9300 73rd Avenue North Brooklyn Park, MN 55428			SIZE A	DWG. NO. BIWK ShpDr	REV -
DRAWN RELEASED	NAME 	DATE 	WEIGHT: VARIES	SHEET 2 OF 2	

PROPRIETARY AND CONFIDENTIAL: THE INFORMATION CONTAINED IN THIS DRAWING IS THE SOLE PROPERTY OF BABCOCK-DAVIS. ANY REPRODUCTION IN PART OR AS A WHOLE WITHOUT THE WRITTEN PERMISSION OF BABCOCK-DAVIS IS PROHIBITED.