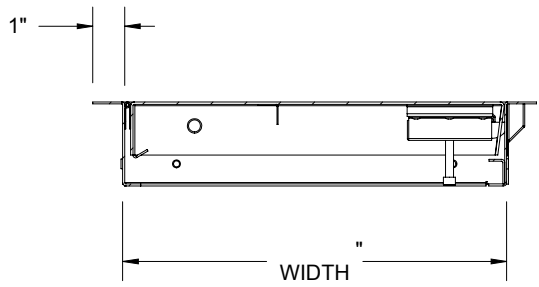


SECTION A-A



SECTION B-B

ROUGH OPENING: " X " "
CLEAR OPENING: " X " "
DEGREE OF OPENING: ° X " "

NOTES:

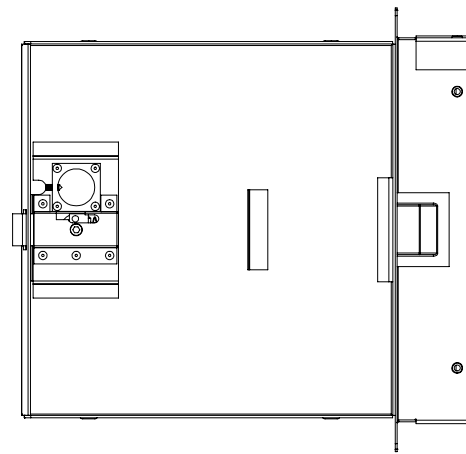
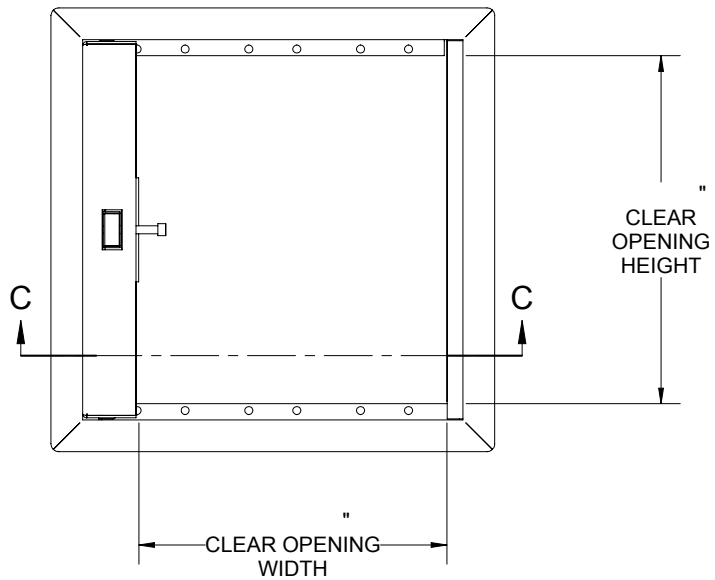
- ① **FRAME:**
- ② **DOOR:**
- ③ **FINISH:**
- ④ **HINGE:**
- ⑤ **SECONDARY LATCH:**
- ⑥ **LOCK:** Knurled Knob/Keyed Slam Latch

PROJECT:			
ARCHITECT:			
CONTRACTOR:			
QTY:			
PART#:			
 9300 73rd Avenue North Brooklyn Park, MN 55428		TITLE:	
NAME	DATE	SIZE	DWG. NO.
DRAWN		A	
RELEASED		WEIGHT: VARIES	SHEET 1 OF 2

PROPRIETARY AND CONFIDENTIAL: THE INFORMATION CONTAINED IN THIS DRAWING IS THE SOLE PROPERTY OF BABCOCK-DAVIS. ANY REPRODUCTION IN PART OR AS A WHOLE WITHOUT THE WRITTEN PERMISSION OF BABCOCK-DAVIS IS PROHIBITED.

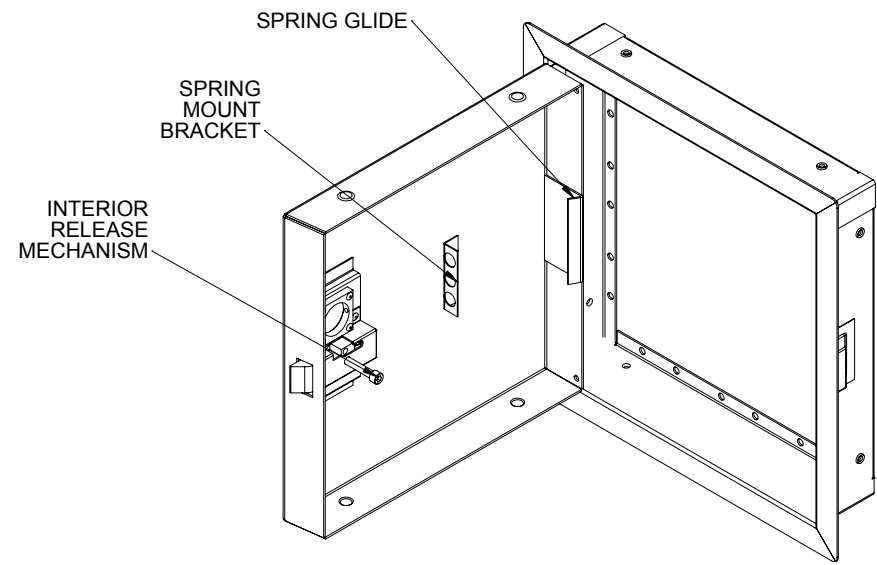
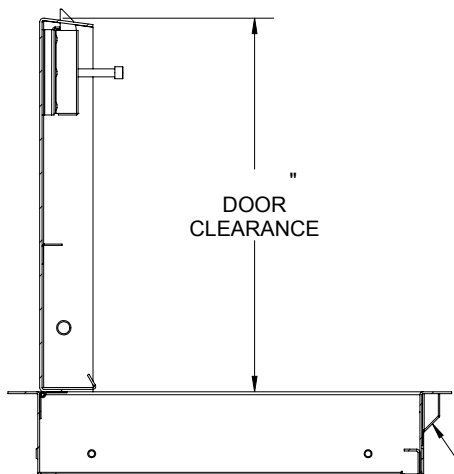
B

B



A

A



LATCH BOLT COVER
EXTENDS 1/2" BEYOND
OUTSIDE EDGE OF FRAME

PART#:		TITLE:			
babcockdavis [®]					
9300 73rd Avenue North Brooklyn Park, MN 55428					
NAME	DATE	SIZE	DWG. NO.	REV	
DRAWN		A		-	
RELEASED			WEIGHT: VARIES	SHEET 2 OF 2	