

Security Series Access Doors

Model(s): BMT/BMW/BMP

GENERAL DESCRIPTION



Access Doors are designed and built for years of convenient and easy access to mechanical areas in commercial buildings.

Introduction + Safety

Please read the complete instructions carefully before beginning any work. To ensure proper installation and performance of the product the following actions must be completed by the installing contractor. Failure to do so will affect product warranty.

GENERAL SAFETY PRECAUTIONS Improper selection, installation, or use can cause personal injury or property damage. It is solely the responsibility of the user, through its own analysis to select products suitable for their specific application requirements, ensure they are properly maintained, and limit their use to its intended purpose. Follow proper local, state and federal regulations for proper installation and operation requirements.

Transportation + Storage

- Inspect all shipments and materials for missing or damaged components and hardware.
- Material must be stored in a clean, dry location.

Preparation

- Install a framed opening at specified location of access door. For doors larger than 18"x18", double studs should be placed on the jamb sides.
- Opening dimensions should be 1/4" larger than catalog size of door. Example: 12" x 12" door, opening should be 12-1/4" x 12-1/4".

INSTALLATION

Wood Substrate

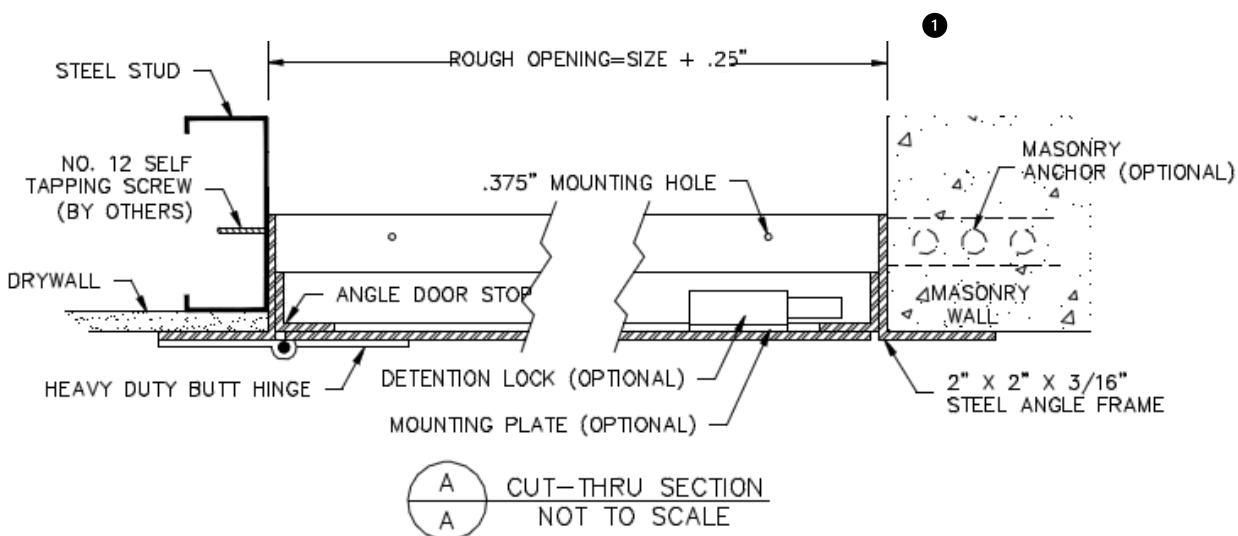
Please read the complete instructions carefully before beginning any work. To ensure proper installation and performance of the access door the following actions must be completed by the installing contractor. Failure to do so will affect product warranty.

1. Determine the location for the Access Panel and note the position of the studs or joists
2. Place the door into the opening. Flange should seat firmly against the wall/ceiling surface.
3. Shim frame to adjust for square. Check door for freedom of movement.
4. With door in the open position, provide anchor attachments (by others) through the predrilled holes in the frame and into the framing material. ①
5. Check door for freedom of movement. Shim as needed to prevent any binding.

Steel Stud Substrate

Please read the complete instructions carefully before beginning any work. To ensure proper installation and performance of the access door the following actions must be completed by the installing contractor. Failure to do so will affect product warranty.

1. Determine the location for the Access Panel and note the position of the studs or joists
2. Place the door into the opening. Flange should seat firmly against the wall/ceiling surface.
3. Shim frame to adjust for square. Check door for freedom of movement.
4. With door in the open position, provide anchor attachments (by others) through the predrilled holes in the frame and into the framing material.
5. Check door for freedom of movement. Shim as needed to prevent any binding.



OPERATION

Access doors are designed and built for years of dependable wall and ceiling access. Our access doors come standard with a paintable powder coat finish.

MAINTENANCE

- Access doors should be manually operated once a year to check performance.
- Lubricate moving parts such as hinges and latches with a silicone spray lube as required to maintain a smooth opening and closing of the door. Do not overlubricate. Do not use regular lubricating oil.
- Non-moving parts can be cleaned with a mild soap or dishwashing detergent and water solution.
- Gaskets can be cleaned with a clean, damp, lint-free cloth. Do not apply mineral oils, vinyl dressings, or other lubricants to the gasket as they can cause the gasket to break down over time.

QUESTIONS?

For more information on installation, repair or replacement, please visit www.Nystrom.com.