


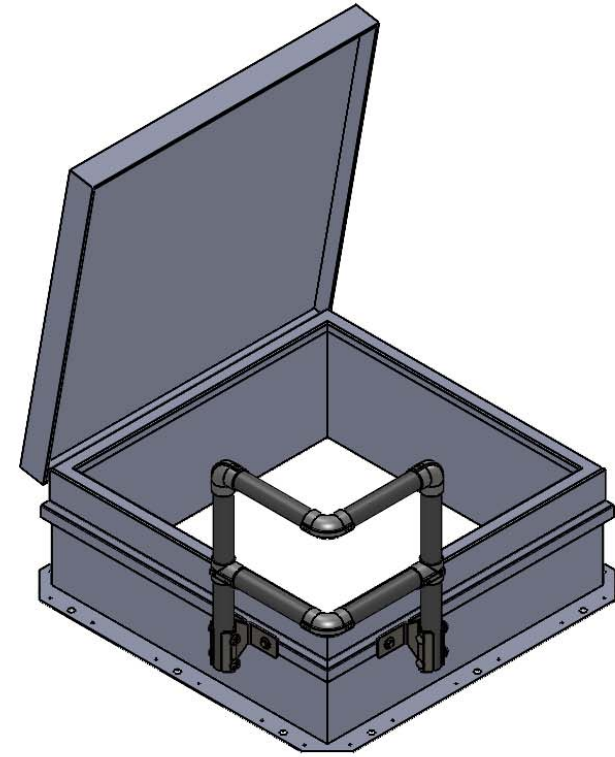
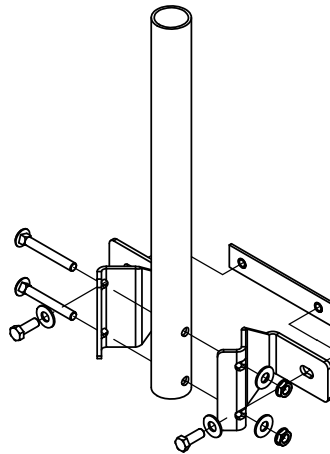
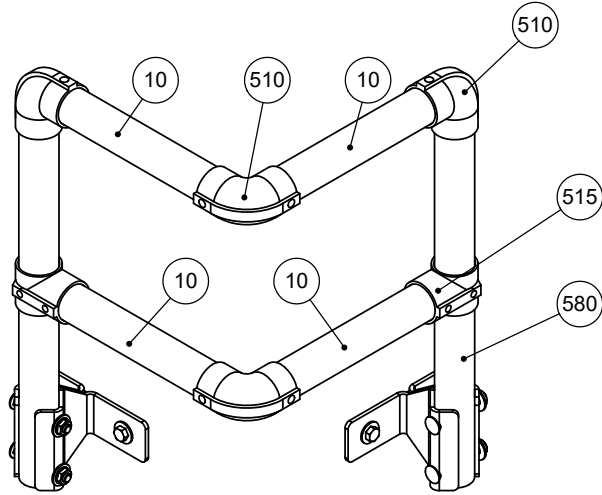
**SPECIFICATIONS**

- ① **RAILS, POSTS:** 6061 T6 ALUMINUM ALLOY 1 1/4" I.D. SCH 40
- ② **COUNTERFLASH MOUNTING BRACKETS:** 3/16" ZINC PLATED STEEL FASTENED TO STEEL BACKING PLATE
- ③ **BOLTS:** HEX HEAD BOLTS 3/8"-16 x 3/4" GRADE 5 ZINC PLATED
- ④ **RAILING FITTINGS AND PLUGS:** MANUFACTURER'S STANDARD CAST WITH SET SCREW HOLD
- 5. NOT FOR USE ON ROOF HATCHES WITHOUT COUNTERFLASHING. CORNER GRABS SIZE AND TOP RAIL LOCATION BASED ON STANDARD ROOF HATCHES.
- 6. FINISH: SAFETY YELLOW POWDER COAT PAINT

PROPRIETARY AND CONFIDENTIAL: THE INFORMATION CONTAINED IN THIS DRAWING IS THE SOLE PROPERTY OF BABCOCK-DAVIS. ANY REPRODUCTION IN PART OR AS A WHOLE WITHOUT THE WRITTEN PERMISSION OF BABCOCK-DAVIS IS PROHIBITED. ©2020 BABCOCK-DAVIS

|   |      |  |            |
|---|------|--|------------|
| PROJECT:  |      |  |            |
| ARCHITECT:  |      |  |            |
| CONTRACTOR:   |      |  |            |
| QTY:  |      |  |            |
| PART#:  |      | <b>BSGBAY</b>  |            |
|  |      | TITLE:   |            |
|   |      | Safety Grab Bar For Roof Hatch<br>Aluminum, Safety Yellow Pwd, |            |
| 9300 73rd Avenue North,<br>Minneapolis, MN, 55428                                     |      |  |            |
|   | NAME | DATE   | SIZE       |
| DRAWN   | SJB  | 3/25/25  | A          |
| RELEASED  | GLN  | 3/25/25  | WEIGHT: NA |
| DWG. NO. BSGBAY   |      |  | REV A      |
| SHEET 1 OF 2  |      |  |            |

| ITEM NO. | PART NUMBER   | DESCRIPTION                  | QTY. |
|----------|---------------|------------------------------|------|
| 10       | 27496-10.00-Y | RAIL, 1-1/4" X 10.00L, ALUM  | 4    |
| 510      | 27185         | FTG, ELBOW,                  | 4    |
| 515      | 27188         | FTG, TEE,                    | 2    |
| 580      | 27349-A-Y     | PKG, SIDE POST, ALUM, NO FTG | 2    |



( ROOF HATCH SHOWN FOR ILLUSTRATIVE PURPOSES ONLY)

**INSTALLATION NOTES:**

1. TO DRILL HOLES IN COUNTERFLASHING TO MOUNT CORNER GRAB, TEMPORARILY ASSEMBLE THE CORNER BRAB BRACKETS AND MARK MOUNTING HOLES ON EACH CORNER. DRILL 1/2" DIAMETER HOLES THROUGH COUNTERFLASHING OF CURB.
2. REFERENCE MANUFACTURING INSTALLATION INSTRUCTIONS FOR FURTHER DETAILS.

PROPRIETARY AND CONFIDENTIAL: THE INFORMATION CONTAINED IN THIS DRAWING IS THE SOLE PROPERTY OF BABCOCK-DAVIS. ANY REPRODUCTION IN PART OR AS A WHOLE WITHOUT THE WRITTEN PERMISSION OF BABCOCK-DAVIS IS PROHIBITED. ©2020 BABCOCK-DAVIS

|   |      |  |          |
|---|------|--|----------|
| PROJECT:  |      |  |          |
| ARCHITECT:  |      |  |          |
| CONTRACTOR:                                       |      |  |          |
| QTY:  |      |  |          |
| PART#:  |      | <b>BSGBAY</b>  |          |
|   |      | TITLE:   |          |
|   |      | Safety Grab Bar For Roof Hatch<br>Aluminum, Safety Yellow Pwd, |          |
| 9300 73rd Avenue North,<br>Minneapolis, MN, 55428 |      |  |          |
| NAME  | DATE | SIZE   | DWG. NO. |
| DRAWN   | SJB  | 3/25/25  | A        |
| RELEASED  | GLN  | 3/25/25  | BSGBAY   |
| WEIGHT: NA  |      |  | REV<br>A |
| SHEET 2 OF 2                                      |      |  |          |