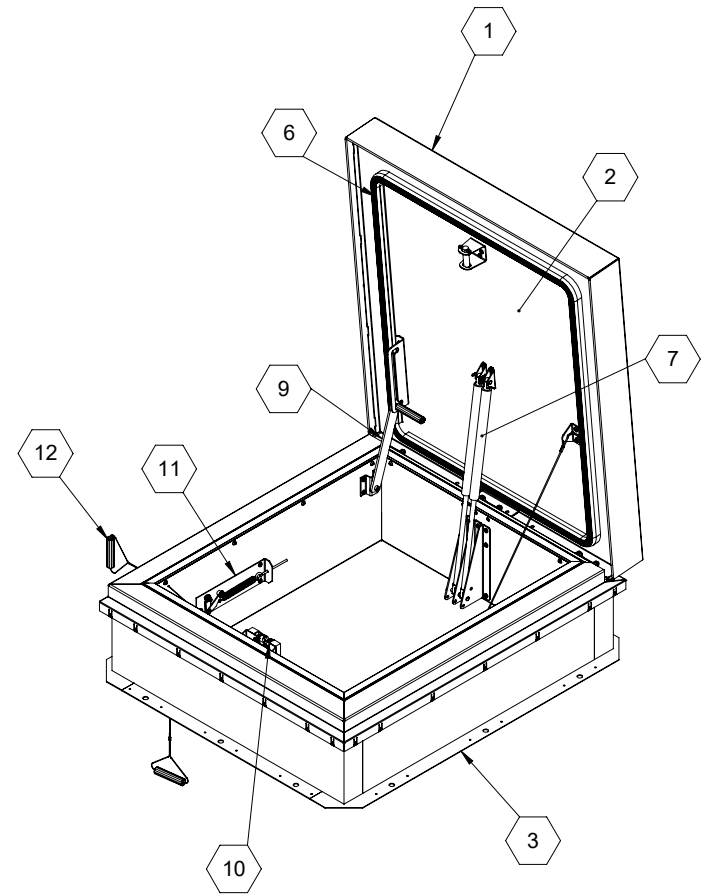


SECTION A-A

SECTION B-B



SPECIFICATIONS:

- ① **COVER:** 11 GA (.090") ALUM, STIFFENED TO WITHSTAND A LIVE LOAD OF 40 PSF WITH A MAX DEFLECTION OF 1/150 OF THE SPAN
- ② **LINER:** 11 GA (.090") ALUM
- ③ **CURB:** 11 GA (.090") ALUM, CURB COUNTERFLASH WITH EZ TABS.
- ④ **FINISH:** MILL
- ⑤ **INSULATION:** 3" POLYISO R-20+ IN CURB, 3" POLYISO R-20+ IN COVER.
- ⑥ **GASKET:** EXTRUDED EPDM RUBBER ADHESIVE-BACKED GASKET SEAL CONTINUOUS AROUND COVER.
- ⑦ **SPRING:** GAS SPRINGS WITH DAMPER DESIGNED TO OPEN AGAINST A 10 PSF SNOW LOAD IN NOT LESS THAN 2 SECONDS.
- ⑧ **HINGE:** PINTLE HINGE WITH STAINLESS STEEL HINGE PINS.
- ⑨ **HOLD OPEN ARM:** ZINC PLATED STEEL AUTOMATIC HOLD OPEN ARM LOCKS COVER IN FULLY OPEN POSITION

⑩ **LATCH:** ZINC PLATED STEEL ROTARY LATCH ASSEMBLY DESIGNED TO HOLD COVER CLOSED AGAINST 90 PSF WIND UPLIFT, ZINC PLATED STEEL LATCH STRIKE ON COVER

⑪ **THERMAL RELEASE MECHANISM:** VENT COVER OPENS THERMALLY BY HEAT AT FUSIBLE LINK TEMPERATURE

⑫ **MANUAL OPERATION:** VENT COVER OPENS WITH INTERNAL AND EXTERNAL MANUAL PULL HANDLES, 1/16" DIA SST CABLE, CLOSE VENT AT ROOFTOP

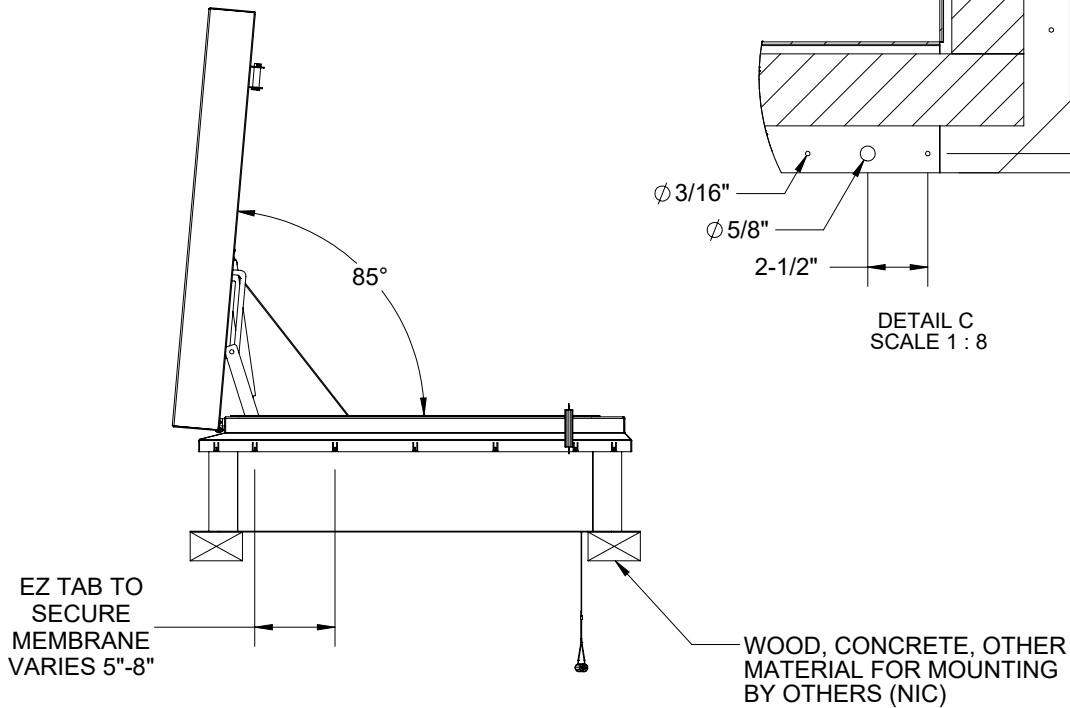
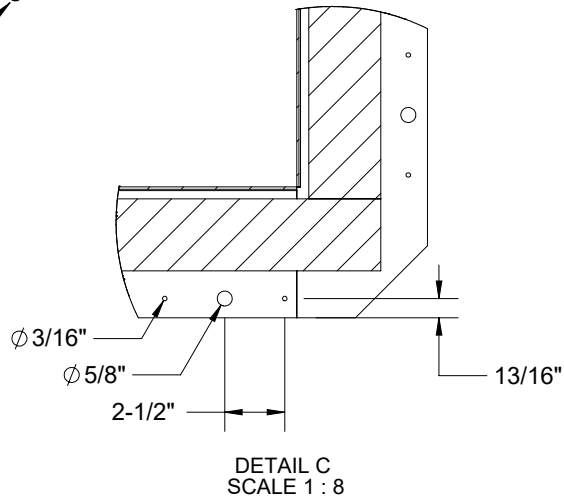
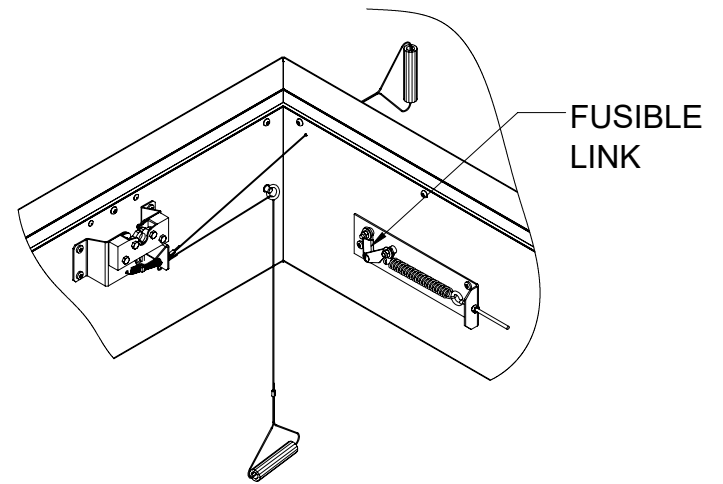
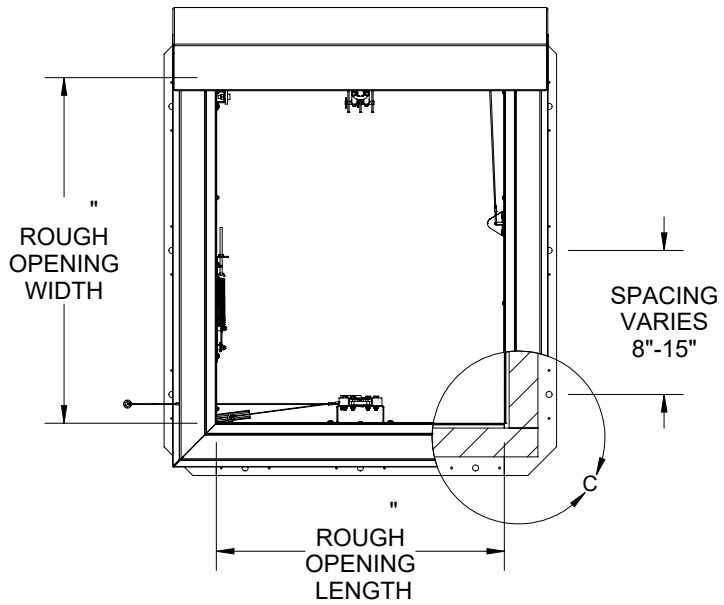
SMOKE VENT SIZE: " (WIDTH) x " (LENGTH)

OPTIONS

Double Wall Curb

UL US
LISTED
UL793

| | | | |
|-------------|------|---|--------------------------------|
| PROJECT: | | | |
| ARCHITECT: | | | |
| CONTRACTOR: | | | |
| QTY: | | | |
| PART#: | | | |
| | | TITLE: | |
| | | 9300 73rd Avenue North Brooklyn Park, MN 55428 | |
| NAME | DATE | SIZE | DWG. NO. |
| DRAWN | | A | Babcock SV BSVTA_X_S_N_R ShpDr |
| RELEASED | | WEIGHT: | SHEET 1 OF 2 |



| | | | | | |
|---|------|------|--------------------------------|-----|--------------|
| | | | TITLE: | | |
| 9300 73rd Avenue North Brooklyn Park, MN 55428 | | | | | |
| NAME | DATE | SIZE | DWG. NO. | REV | |
| DRAWN | | A | Babcock SV BSVTA_X_S_N_R ShpDr | A | |
| RELEASED | | | WEIGHT: | | SHEET 2 OF 2 |

PROPRIETARY AND CONFIDENTIAL: THE INFORMATION CONTAINED IN THIS DRAWING IS THE SOLE PROPERTY OF BABCOCK-DAVIS. ANY REPRODUCTION IN PART OR AS A WHOLE WITHOUT THE WRITTEN PERMISSION OF BABCOCK-DAVIS IS PROHIBITED. ©2020 BABCOCK-DAVIS